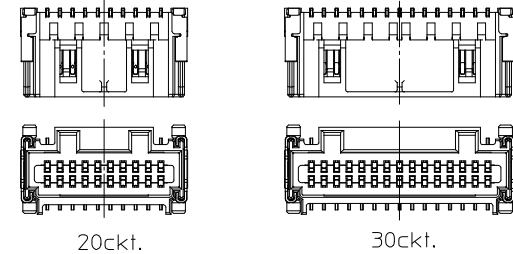


NOTES

1. 嵌合相手: 503110-****.
MATE WITH: 503110-****.
2. 端子テール部 及び ネイルの平坦度: 0.1MAX.
TAIL AND NAIL COPLANARITY TO BE 0.1 MAX.
- △ 極数/2=偶数に適用。
APPLY FOR CKT. SIZE / 2 = EVEN.
4. 端子テール部 及び ネイルに錫めっきを使用しているため、
外観に摺動痕が付く場合があります。
THE WOUND OF FRICTION MIGHT ADHERE TO EXTERNALS
BECAUSE THE TIN PLATING IS USED FOR THE TAIL AND NAIL.
5. 本製品のプラスチック部に黒点等が確認される場合や
色合いが異なる場合がありますが、製品性能に影響はありません。
THERE IS NO INFLUENCE IN THE PRODUCT PERFORMANCE THOUGH
THE BLACK SPOT ETC. MIGHT BE CONFIRMED TO THE PLASTIC PART
OF THIS PRODUCT AND THE SHADE MIGHT BE DIFFERENT.
6. ELV 及び RoHS 適合品
ELV AND RoHS COMPLIANT



極数の種類 (正面図)
KIND OF CKT. NO. (FRONT VIEW)

10.75	17.5	19.05	21.05	22.8	23.25	501931-3080	30	
4.5	11.25	12.8	14.8	16.55	17	501931-2080	20	
F	E	D	C	B	A	EMBOSSED PACKAGE	極数	
							オーダー番号 ORDER No.	CIRCUITS

CONNECTOR SERIES No. 501931-***10

SCALE DESIGN UNITS
METRIC THIRD ANGLE PROJECTION

1.25 W/B CONN. DUAL
S/T REC. ASS'Y

molex

DOCUMENT NO. SD-501931-003

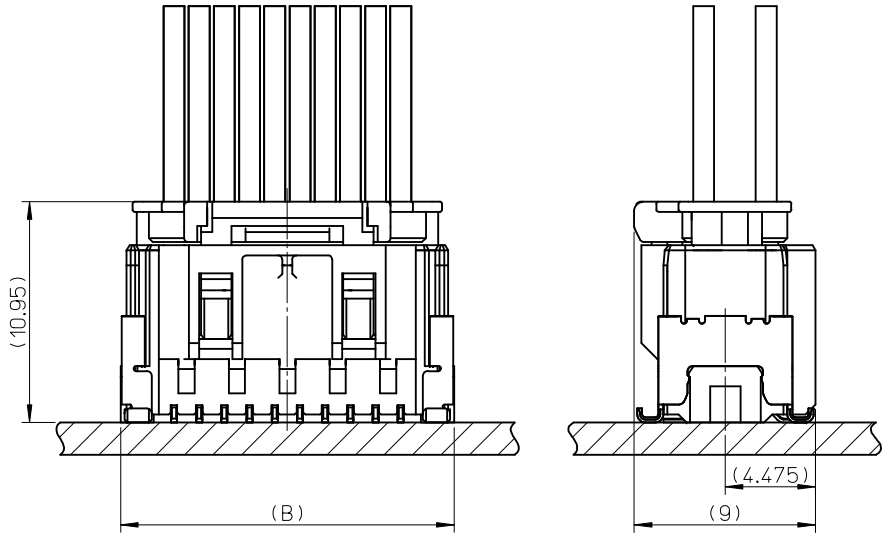
SHEET NO. 1 OF 2

SEE TABLE

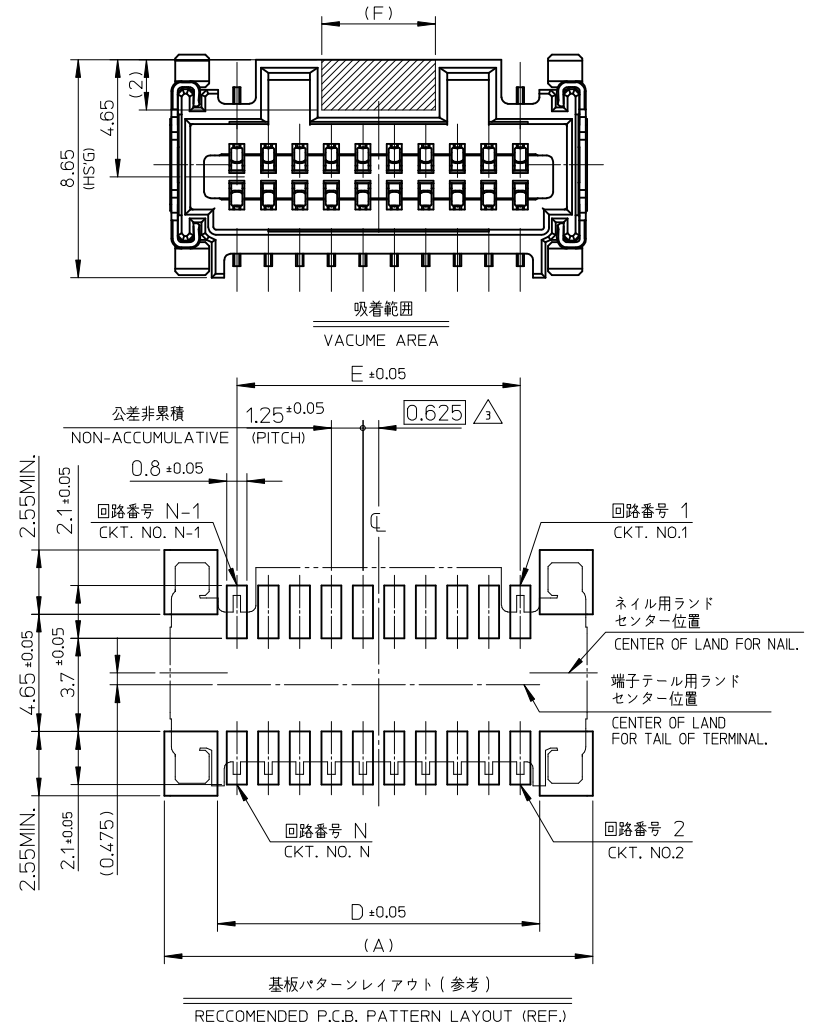
THIS DRAWING CONTAINS INFORMATION THAT IS PROPRIETARY TO MOLEX
INCORPORATED AND SHOULD NOT BE USED WITHOUT WRITTEN PERMISSION

番号 NO.	部品 PART	材質 MATERIAL
①	ハウジング HOUSING	ポリアミド (PA) UL94V-0 色: 自然色 POLYAMIDE (PA) UL94V-0 COLOR: NATURAL
②	ターミナル TERMINAL	銅合金 COPPER ALLOY
		金めっき (接点部): 0.76 micro-meter MIN. GOLD (CONTACT AREA)
		錫めっき (テール部): 1.0 micro-meter MIN. TIN (TAIL AREA)
		ニッケルめっき (下地): 1.27 micro-meter MIN. NICKEL (UNDER PLATING)
③	ネイル NAIL	銅合金 COPPER ALLOY
		錫めっき: 1.0 micro-meter MIN. TIN
		ニッケルめっき (下地): 1.0 micro-meter MIN. NICKEL (UNDER PLATING)

REV	DESCRIPTION	GENERAL TOLERANCES (UNLESS SPECIFIED)		DIMENSION STYLE	
		0.25 UNDER	± 0.03	MM ONLY	SCALE
O	RELEASED EC NO: J2015-0756 DRWN: KCHIKANO 2014/12/24 CHKD: KASAKAWA 2014/12/25 APPR: NUKITA 2014/12/26	0.25 OVER	0.5 UNDER	± 0.05	DRAWN BY DATE KCHIKANO 2014/12/24
		0.5 OVER	1.0 UNDER	± 0.1	
		1.0 OVER	30 UNDER	± 0.2	APPROVED BY DATE NUKITA 2014/12/26
		30 OVER		± 0.25	
		ANGULAR	± 3 °		SIZE A3
			DRAFT WHERE APPLICABLE MUST REMAIN WITHIN DIMENSIONS		



嵌合図
MATED CONNECTORS



基板パターンレイアウト (参考)
RECOMMENDED P.C.B. PATTERN LAYOUT (REF.)

RELEASED EC NO: J2015-0756 DRW:KCHIKANO 2014/12/24 CHK:D.KASAKAWA 2014/12/25 APPR:NUKITA 2014/12/26	GENERAL TOLERANCES (UNLESS SPECIFIED)		DIMENSION STYLE MM ONLY		SCALE	DESIGN UNITS METRIC	THIRD ANGLE PROJECTION
	0.25 UNDER	±0.03	DRAWN BY	DATE	TITLE	1.25 W/B CONN. DUAL S/T REC. ASS'Y	
	0.25 OVER 0.5 UNDER	±0.05	KCHIKANO	2014/12/24			
	0.5 OVER 1.0 UNDER	±0.1	KASAKAWA	2014/12/25			
	1.0 OVER 10 UNDER	±0.2	APPROVED BY	DATE		DOCUMENT NO.	SHEET NO.
10 OVER 30 UNDER	±0.25	NUKITA	2014/12/26		SD-501931-003	2 OF 2	
30 OVER	±0.3	MATERIAL NO.					
ANGULAR ±3 °		SEE SHEET 1					
DRAFT WHERE APPLICABLE MUST REMAIN WITHIN DIMENSIONS		SIZE A3	THIS DRAWING CONTAINS INFORMATION THAT IS PROPRIETARY TO MOLEX INCORPORATED AND SHOULD NOT BE USED WITHOUT WRITTEN PERMISSION				