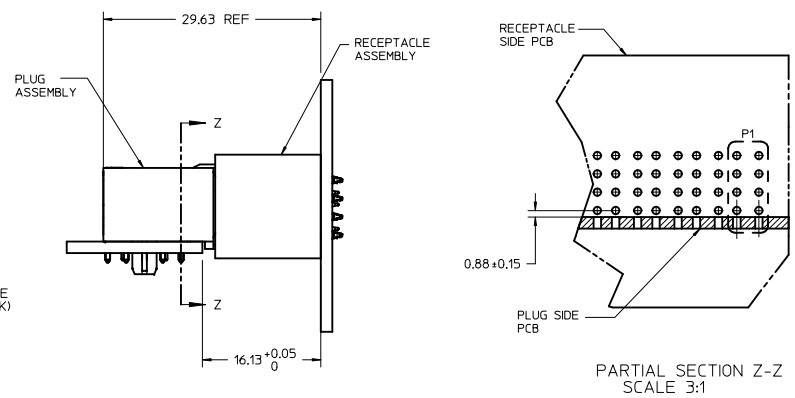
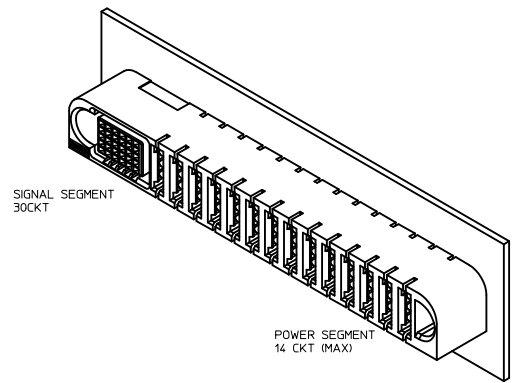


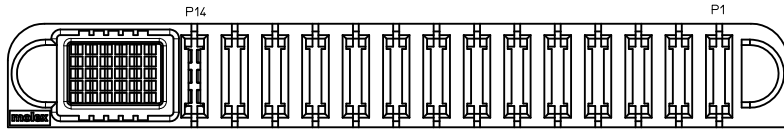
RECOMMENDED PCB LAYOUT AND KEEP-OUT ZONE



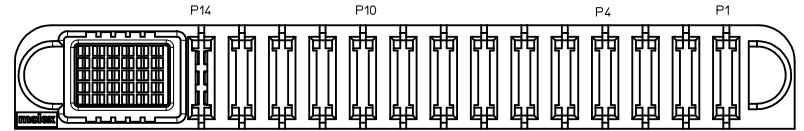
- NOTES:
- MATERIAL:
 - HOUSINGS: 30% GF-PBT UL-94, V-0, COLOR: BLACK
 - TERMINALS: COPPER ALLOY
 - PLATING: .00127 NICKEL OVERALL WITH 0.00254 SELECTIVE TIN ON SOLDER TAILS AND 0.000762 SELECTIVE GOLD ON CONTACT AREA.
 - PACKAGING: ASSEMBLIES TO BE TRAY PACKED, QTY TBD.
 - PRODUCT SPEC.: PS-46436-100.
 - APPLICATION SPEC.: AS-46436-100.
 - PC BOARD REQUIRES THRU HOLES, REFER TO PS-46436-100 FOR DETAILS.
 - PRODUCT TO MEET RoHS REQUIREMENTS.
 - ASSEMBLY MATES TO MOLEX R/A PLUG ASSEMBLY P/N: 46437-1123.

REV DIM TOL & NOTE IEC NO. UCP2010-2746 DRAWN: JUILLES 2010/04/28 CHKD: BKOSTIC 2010/02/26 APPR: APATEL 2010/04/29	QUALITY SYMBOLS	GENERAL TOLERANCES (UNLESS SPECIFIED)	DIMENSION STYLE MM ONLY	SCALE 2:1	DESIGN UNITS METRIC	THIRD ANGLE PROJECTION
		4 PLACES ±--- ±---	mm INCH	DRAWN BY DATE BKOSTIC 2010/02/26	TITLE VERTICAL RECPT ASSY 30S-14P (MAX), PRESS-FIT TEN60 POWER FAMILY	
		3 PLACES ±--- ±---		CHECKED BY DATE BKOSTIC 2010/02/26		
		2 PLACES ±0.25 ±---		APPROVED BY DATE APATEL 2010/04/20	MOLEX INCORPORATED	
	1 PLACE ±0.25 ±---	ANGULAR ±1/2°	DRAFT WHERE APPLICABLE MUST REMAIN WITHIN DIMENSIONS	SEE SHEET 2.	DOCUMENT NO. SD-46562-1123	SHEET NO. 1 OF 2
			SIZE D	THIS DRAWING CONTAINS INFORMATION THAT IS PROPRIETARY TO MOLEX INCORPORATED AND SHOULD NOT BE USED WITHOUT WRITTEN PERMISSION		

MOLEX P/N: 46562-1123



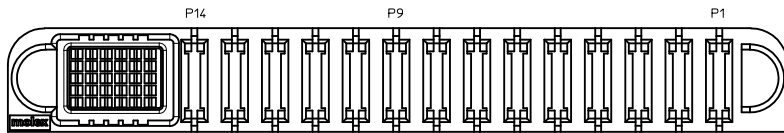
MOLEX P/N: 46562-1124



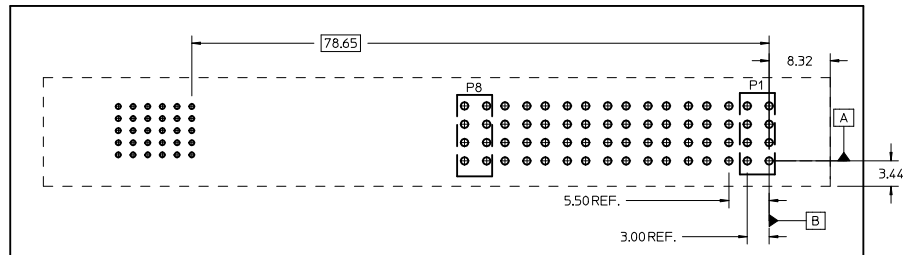
P5-P10 NOT POPULATED



MOLEX P/N: 46562-1125



P9-P14 NOT POPULATED



RELEASED IEC NO. UCF2010-2746 DRAWN: JUILLES 2010/04/28 CHKD: BKOSTIC 2010/02/26 APPR: APATEL 2010/04/29	QUALITY SYMBOLS	GENERAL TOLERANCES (UNLESS SPECIFIED)	DIMENSION STYLE	SCALE	DESIGN UNITS	THIRD ANGLE PROJECTION
	▽=0	mm INCH	MM ONLY	3:1	METRIC	
	▽=0	4 PLACES ± --- ± ---	DRAWN BY DATE	TITLE		
	▽=0	3 PLACES ± 0.25 ± ---	BKOSTIC 2010/02/26	VERTICAL RECPT ASSY		
	2 PLACES ± 0.25 ± ---	APATEL 2010/04/20	30S-14P (MAX), PRESS-FIT			
	1 PLACE ± 0.25 ± ---		TEN60 POWER FAMILY			
	ANGULAR ±1/2°		MOLEX INCORPORATED			
	DRAFT WHERE APPLICABLE MUST REMAIN WITHIN DIMENSIONS		SD-46562-1123			
			SHEET NO. 2 OF 2			