

ABBREVIATION	DESCRIPTION	COLOR	MATERIAL
A-BLACK	HOUSING, KEYING OPTION A	BLACK	PBT GF15
B-BLACK	HOUSING, KEYING OPTION B	BLACK	PBT GF15
C-BLACK	HOUSING, KEYING OPTION C	BLACK	PBT GF15
A-LT GRAY	HOUSING, KEYING OPTION D	LIGHT BLUE	PBT GF15
B-LT GRAY	HOUSING, KEYING OPTION A	LIGHT BLUE	PBT GF15
C-LT GRAY	HOUSING, KEYING OPTION B	LIGHT BLUE	PBT GF15
A-DK GRAY	HOUSING, KEYING OPTION C	DARK BLUE	PBT GF15
B-DK GRAY	HOUSING, KEYING OPTION D	DARK BLUE	PBT GF15
C-DK GRAY	HOUSING, KEYING OPTION A	DARK BLUE	PBT GF15
TML HSG	TERMINAL HOUSING	BLACK	PBT GF15
TPA	TPA	NATURAL	PBT GF30
CPA	CPA	RED	PBT GF30
M	MAT SEAL	DARK BLUE	INHERENTLY LUBRICATED SILICONE
R	RING SEAL	LIGHT BLUE	INHERENTLY LUBRICATED SILICONE

FOR ADDITIONAL INFORMATION SEE SD-31404-811

ASSEMBLY DESCRIPTION	ASSEMBLY PART NUMBER	COMPONENT			BLOCKED TERMINALS								STATUS	COMMENT	INTEGRAL COMPONENTS SOLD SEPARATELY		
		THE PRESENCE OF AN ABBREVIATION INDICATES THE PRESENCE OF THAT COMPONENT			CAVITY WITH A NUMBER INDICATES BLOCKED TERMINAL POSITION CAVITY WITHOUT A NUMBER INDICATES OPEN TERMINAL POSITION										DRESS COVER		
		CPA	KEY	COLOR											HORIZONTAL	VERTICAL	
MX64 FEM 1X8 KAIZAN WOCPA BLK POLB/8	314049001	NO	B	BLACK	-	-	-	-	-	-	-	-	-	SALEABLE		31414-8600	31414-8700
MX64 FEM 1X8 KAIZAN WOCPA BLK POLC/8	314049002	NO	C	BLACK	-	-	-	-	-	-	-	-	-	SALEABLE		31414-8600	31414-8700
MX64 FEM 1X8 KAIZAN WOCPA LTGY POLC/8	314049003	NO	C	LT GRAY	-	-	-	-	-	-	-	-	-	SALEABLE		31414-8600	31414-8700
MX64 FEM 1X8 KAIZAN WOCPA DKG POLA/8	314049004	NO	A	DK GRAY	-	-	-	-	-	-	-	-	-	SALEABLE		31414-8600	31414-8700
MX64 FEM 1X8 KAIZAN WOCPA DKG POLB/8	314049005	NO	B	DK GRAY	-	-	-	-	-	-	-	-	-	SALEABLE		31414-8600	31414-8700
MX64 FEM 1X8 KAIZAN W/CPA BLK POLB/8	314049006	YES	B	BLACK	-	-	-	-	-	-	-	-	-	SALEABLE		31414-8600	31414-8700
MX64 FEM 1X8 KAIZAN W/CPA BLK POLC/8	314049007	YES	C	BLACK	-	-	-	-	-	-	-	-	-	SALEABLE		31414-8600	31414-8700
MX64 FEM 1X8 KAIZAN W/CPA LTGY POLC/8	314049008	YES	C	LT GRAY	-	-	-	-	-	-	-	-	-	SALEABLE		31414-8600	31414-8700
MX64 FEM 1X8 KAIZAN W/CPA DKG POLA/8	314049009	YES	A	DK GRAY	-	-	-	-	-	-	-	-	-	SALEABLE		31414-8600	31414-8700
MX64 FEM 1X8 KAIZAN W/CPA DKG POLB/8	314049010	YES	B	DK GRAY	-	-	-	-	-	-	-	-	-	SALEABLE		31414-8600	31414-8700
MX64 FEM 1X8 KAIZAN WOCPA BLK POLA/8	314049100	NO	A	BLACK	-	-	-	-	-	-	-	-	-	SALEABLE		31414-8600	31414-8700
MX64 FEM 1X8 KAIZAN WOCPA BLK POLA/7	314049101	NO	A	BLACK	-	-	3	-	-	-	-	-	-	SALEABLE		31414-8600	31414-8700
MX64 FEM 1X8 KAIZAN WOCPA BLK POLA/6	314049102	NO	A	BLACK	-	-	3	4	-	-	-	-	-	SALEABLE		31414-8600	31414-8700
MX64 FEM 1X8 KAIZAN WOCPA BLK POLA/5	314049103	NO	A	BLACK	1	-	-	-	-	6	-	8	-	SALEABLE		31414-8600	31414-8700
MX64 FEM 1X8 KAIZAN WOCPA BLK POLA/4	314049104	NO	A	BLACK	1	2	3	4	-	-	-	-	-	SALEABLE		31414-8600	31414-8700
MX64 FEM 1X8 KAIZAN WOCPA BLK POLA/3	314049105	NO	A	BLACK	1	2	3	4	-	6	-	-	-	SALEABLE		31414-8600	31414-8700
MX64 FEM 1X8 KAIZAN WOCPA BLK POLA/2	314049106	NO	A	BLACK	-	2	-	4	5	6	7	8	-	SALEABLE		31414-8600	31414-8700

ASSEMBLY DESCRIPTION	ASSEMBLY PART NUMBER	COMPONENT			BLOCKED TERMINALS								STATUS	COMMENT	INTEGRAL COMPONENTS SOLD SEPARATELY	
		THE PRESENCE OF AN ABBREVIATION INDICATES THE PRESENCE OF THAT COMPONENT			CAVITY WITH A NUMBER INDICATES BLOCKED TERMINAL POSITION CAVITY WITHOUT A NUMBER INDICATES OPEN TERMINAL POSITION										DRESS COVER	
		CPA	KEY	COLOR												
MX64 FEM 1X8 KAIZAN WOCPA BLK POLA/6	314049107	NO	A	BLACK	-	-	-	-	-	-	7	8	SALEABLE		31414-8600	31414-8700
MX64 FEM 1X8 KAIZAN WOCPA BLK POLA/5	314049108	NO	A	BLACK	-	-	-	-	5	-	7	8	SALEABLE		31414-8600	31414-8700
MX64 FEM 1X8 KAIZAN WOCPA BLK POLA/5	314049109	NO	A	BLACK	-	-	3	4	5	-	-	-	SALEABLE		31414-8600	31414-8700
MX64 FEM 1X8 KAIZAN W/CPA BLK POLA/8	314049110	YES	A	BLACK	-	-	-	-	-	-	-	-	SALEABLE		31414-8600	31414-8700
MX64 FEM 1X8 KAIZAN W/CPA BLK POLA/7	314049111	YES	A	BLACK	-	-	3	-	-	-	-	-	SALEABLE		31414-8600	31414-8700
MX64 FEM 1X8 KAIZAN W/CPA BLK POLA/6	314049112	YES	A	BLACK	-	-	3	4	-	-	-	-	SALEABLE		31414-8600	31414-8700
MX64 FEM 1X8 KAIZAN W/CPA BLK POLA/5	314049113	YES	A	BLACK	1	-	-	-	-	6	-	8	SALEABLE		31414-8600	31414-8700
MX64 FEM 1X8 KAIZAN W/CPA BLK POLA/4	314049114	YES	A	BLACK	1	2	3	4	-	-	-	-	SALEABLE		31414-8600	31414-8700
MX64 FEM 1X8 KAIZAN W/CPA BLK POLA/3	314049115	YES	A	BLACK	1	2	3	4	-	6	-	-	SALEABLE		31414-8600	31414-8700
MX64 FEM 1X8 KAIZAN W/CPA BLK POLA/2	314049116	YES	A	BLACK	-	2	-	4	5	6	7	8	SALEABLE		31414-8600	31414-8700
MX64 FEM 1X8 KAIZAN W/CPA BLK POLA/6	314049117	YES	A	BLACK	-	-	-	-	-	-	7	8	SALEABLE		31414-8600	31414-8700
MX64 FEM 1X8 KAIZAN W/CPA BLK POLA/5	314049118	YES	A	BLACK	-	-	-	-	5	-	7	8	SALEABLE		31414-8600	31414-8700
MX64 FEM 1X8 KAIZAN W/CPA BLK POLA/5	314049119	YES	A	BLACK	-	-	3	4	5	-	-	-	SALEABLE		31414-8600	31414-8700
MX64 FEM 1X8 KAIZAN WOCPA BLK POLA/7	314049121	NO	A	BLACK	-	-	-	4	-	-	-	-	SALEABLE		31414-8600	31414-8700
MX64 FEM 1X8 KAIZAN WOCPA BLK POLA/6	314049122	NO	A	BLACK	-	-	3	-	-	-	7	-	SALEABLE		31414-8600	31414-8700
MX64 FEM 1X8 KAIZAN WOCPA BLK POLA/5	314049123	NO	A	BLACK	1	-	3	-	-	-	-	8	SALEABLE		31414-8600	31414-8700
MX64 FEM 1X8 KAIZAN WOCPA BLK POLA/4	314049124	NO	A	BLACK	1	2	-	-	-	6	7	-	SALEABLE		31414-8600	31414-8700
MX64 FEM 1X8 KAIZAN WOCPA BLK POLA/4	314049125	NO	A	BLACK	-	-	-	-	5	6	7	8	SALEABLE		31414-8600	31414-8700
MX64 FEM 1X8 KAIZAN WOCPA BLK POLA/2	314049126	NO	A	BLACK	1	2	3	4	-	6	7	-	SALEABLE		31414-8600	31414-8700
MX64 FEM 1X8 KAIZAN WOCPA BLK POLA/5	314049127	NO	A	BLACK	-	-	-	4	5	-	7	-	SALEABLE		31414-8600	31414-8700
MX64 FEM 1X8 KAIZAN WOCPA BLK POLA/5	314049128	NO	A	BLACK	-	-	-	4	5	6	-	-	SALEABLE		31414-8600	31414-8700
MX64 FEM 1X8 KAIZAN WOCPA BLK POLA/6	314049129	NO	A	BLACK	-	-	-	-	5	-	7	-	SALEABLE		31414-8600	31414-8700
MX64 FEM 1X8 KAIZAN W/CPA BLK POLA/7	314049131	YES	A	BLACK	-	-	-	4	-	-	-	-	SALEABLE		31414-8600	31414-8700
MX64 FEM 1X8 KAIZAN W/CPA BLK POLA/6	314049132	YES	A	BLACK	-	-	3	-	-	-	7	-	SALEABLE		31414-8600	31414-8700
MX64 FEM 1X8 KAIZAN W/CPA BLK POLA/5	314049133	YES	A	BLACK	1	-	3	-	-	-	-	8	SALEABLE		31414-8600	31414-8700
MX64 FEM 1X8 KAIZAN W/CPA BLK POLA/4	314049134	YES	A	BLACK	1	2	-	-	-	6	7	-	SALEABLE		31414-8600	31414-8700
MX64 FEM 1X8 KAIZAN W/CPA BLK POLA/4	314049135	YES	A	BLACK	-	-	-	-	5	6	7	8	SALEABLE		31414-8600	31414-8700

ASSEMBLY DESCRIPTION	ASSEMBLY PART NUMBER	COMPONENT			BLOCKED TERMINALS									STATUS	COMMENT	INTEGRAL COMPONENTS SOLD SEPARATELY	
		THE PRESENCE OF AN ABBREVIATION INDICATES THE PRESENCE OF THAT COMPONENT			CAVITY WITH A NUMBER INDICATES BLOCKED TERMINAL POSITION CAVITY WITHOUT A NUMBER INDICATES OPEN TERMINAL POSITION											DRESS COVER	
		CPA	KEY	COLOR	1	2	3	4	5	6	7	8	9			10	11
MX64 FEM 1X8 KAIZAN W/CPA BLK POLA/2	314049136	YES	A	BLACK	1	2	3	4	-	6	7	-	SALEABLE		31414-8600	31414-8700	
MX64 FEM 1X8 KAIZAN W/CPA BLK POLA/5	314049137	YES	A	BLACK	-	-	-	4	5	-	7	-	SALEABLE		31414-8600	31414-8700	
MX64 FEM 1X8 KAIZAN W/CPA BLK POLA/5	314049138	YES	A	BLACK	-	-	-	4	5	6	-	-	SALEABLE		31414-8600	31414-8700	
MX64 FEM 1X8 KAIZAN W/CPA BLK POLA/6	314049139	YES	A	BLACK	-	-	-	-	5	-	7	-	SALEABLE		31414-8600	31414-8700	
MX64 FEM 1X8 KAIZAN WOCPA BLK POLA/7	314049141	NO	A	BLACK	-	-	-	-	-	6	-	-	SALEABLE		31414-8600	31414-8700	
MX64 FEM 1X8 KAIZAN WOCPA BLK POLA/6	314049142	NO	A	BLACK	-	2	-	-	-	6	-	-	SALEABLE		31414-8600	31414-8700	
MX64 FEM 1X8 KAIZAN WOCPA BLK POLA/5	314049143	NO	A	BLACK	1	-	3	-	-	6	-	-	SALEABLE		31414-8600	31414-8700	
MX64 FEM 1X8 KAIZAN WOCPA BLK POLA/5	314049144	NO	A	BLACK	-	-	-	-	-	6	7	8	SALEABLE		31414-8600	31414-8700	
MX64 FEM 1X8 KAIZAN W/CPA BLK POLA/7	314049151	YES	A	BLACK	-	-	-	-	-	6	-	-	SALEABLE		31414-8600	31414-8700	
MX64 FEM 1X8 KAIZAN W/CPA BLK POLA/6	314049152	YES	A	BLACK	-	2	-	-	-	6	-	-	SALEABLE		31414-8600	31414-8700	
MX64 FEM 1X8 KAIZAN W/CPA BLK POLA/5	314049153	YES	A	BLACK	1	-	3	-	-	6	-	-	SALEABLE		31414-8600	31414-8700	
MX64 FEM 1X8 KAIZAN W/CPA BLK POLA/5	314049154	YES	A	BLACK	-	-	-	-	-	6	7	8	SALEABLE		31414-8600	31414-8700	
MX64 FEM 1X8 KAIZAN WOCPA BLK POLA/7	314049161	NO	A	BLACK	-	2	-	-	-	-	-	-	SALEABLE		31414-8600	31414-8700	
MX64 FEM 1X8 KAIZAN WOCPA BLK POLA/6	314049162	NO	A	BLACK	1	2	-	-	-	-	-	-	SALEABLE		31414-8600	31414-8700	
MX64 FEM 1X8 KAIZAN WOCPA BLK POLA/5	314049163	NO	A	BLACK	1	2	-	-	-	6	-	-	SALEABLE		31414-8600	31414-8700	
MX64 FEM 1X8 KAIZAN W/CPA BLK POLA/7	314049171	YES	A	BLACK	-	2	-	-	-	-	-	-	SALEABLE		31414-8600	31414-8700	
MX64 FEM 1X8 KAIZAN W/CPA BLK POLA/6	314049172	YES	A	BLACK	1	2	-	-	-	-	-	-	SALEABLE		31414-8600	31414-8700	
MX64 FEM 1X8 KAIZAN W/CPA BLK POLA/5	314049173	YES	A	BLACK	1	2	-	-	-	6	-	-	SALEABLE		31414-8600	31414-8700	
MX64 FEM 1X8 KAIZAN WOCPA BLK POLA/6	314049182	NO	A	BLACK	-	-	3	-	-	6	-	-	SALEABLE		31414-8600	31414-8700	
MX64 FEM 1X8 KAIZAN WOCPA BLK POLA/5	314049183	NO	A	BLACK	1	-	-	4	-	6	-	-	SALEABLE		31414-8600	31414-8700	
MX64 FEM 1X8 KAIZAN W/CPA BLK POLA/6	314049192	YES	A	BLACK	-	-	3	-	-	6	-	-	SALEABLE		31414-8600	31414-8700	
MX64 FEM 1X8 KAIZAN W/CPA BLK POLA/5	314049193	YES	A	BLACK	1	-	-	4	-	6	-	-	SALEABLE		31414-8600	31414-8700	
MX64 FEM 1X8 KAIZAN WOCPA LTGY POLB/8	314049200	NO	B	LT GRAY	-	-	-	-	-	-	-	-	SALEABLE		31414-8600	31414-8700	
MX64 FEM 1X8 KAIZAN WOCPA LTGY POLB/5	314049203	NO	B	LT GRAY	-	-	3	-	-	-	7	8	SALEABLE		31414-8600	31414-8700	
MX64 FEM 1X8 KAIZAN WOCPA LTGY POLB/4	314049204	NO	B	LT GRAY	-	2	3	-	-	-	7	8	SALEABLE		31414-8600	31414-8700	
MX64 FEM 1X8 KAIZAN W/CPA LTGY POLB/8	314049210	YES	B	LT GRAY	-	-	-	-	-	-	-	-	SALEABLE		31414-8600	31414-8700	
MX64 FEM 1X8 KAIZAN W/CPA LTGY POLB/5	314049213	YES	B	LT GRAY	-	-	3	-	-	-	7	8	SALEABLE		31414-8600	31414-8700	

ASSEMBLY DESCRIPTION	ASSEMBLY PART NUMBER	COMPONENT			BLOCKED TERMINALS								STATUS	COMMENT	INTEGRAL COMPONENTS SOLD SEPARATELY	
		THE PRESENCE OF AN ABBREVIATION INDICATES THE PRESENCE OF THAT COMPONENT			CAVITY WITH A NUMBER INDICATES BLOCKED TERMINAL POSITION CAVITY WITHOUT A NUMBER INDICATES OPEN TERMINAL POSITION										DRESS COVER	
		CPA	KEY	COLOR												
MX64 FEM 1X8 KAIZAN W/CPA LTGY POLB/4	314049214	YES	B	LT GRAY	-	2	3	-	-	-	7	8	SALEABLE		31414-8600	31414-8700
MX64 FEM 1X8 KAIZAN WOCPA DKGY POLC/8	314049300	NO	C	DK GRAY	-	-	-	-	-	-	-	-	SALEABLE		31414-8600	31414-8700
MX64 FEM 1X8 KAIZAN W/CPA DKGY POLC/8	314049310	YES	C	DK GRAY	-	-	-	-	-	-	-	-	SALEABLE		31414-8600	31414-8700
MX64 FEM 1X8 KAIZAN WOCPA LTGY POLA/7	314049501	NO	A	LT GRAY	-	-	3	-	-	-	-	-	SALEABLE		31414-8600	31414-8700
MX64 FEM 1X8 KAIZAN WOCPA BLK POLA/6	314049502	NO	A	BLACK	-	-	-	-	5	6	-	-	SALEABLE		31414-8600	31414-8700
MX64 FEM 1X8 KAIZAN WOCPA BLK POLA/5	314049503	NO	A	BLACK	1	2	-	4	-	-	-	-	SALEABLE		31414-8600	31414-8700
MX64 FEM 1X8 KAIZAN W/CPA LTGY POLA/7	314049511	YES	A	LT GRAY	-	-	3	-	-	-	-	-	SALEABLE		31414-8600	31414-8700
MX64 FEM 1X8 KAIZAN W/CPA BLK POLA/6	314049512	YES	A	BLACK	-	-	-	-	5	6	-	-	SALEABLE		31414-8600	31414-8700
MX64 FEM 1X8 KAIZAN W/CPA BLK POLA/5	314049513	YES	A	BLACK	1	2	-	4	-	-	-	-	SALEABLE		31414-8600	31414-8700
MX64 FEM 1X8 KAIZAN WOCPA BLK POLA/6	314049522	NO	A	BLACK	-	-	-	4	-	-	7	-	SALEABLE		31414-8600	31414-8700
MX64 FEM 1X8 KAIZAN WOCPA BLK POLA/5	314049523	NO	A	BLACK	1	2	3	-	-	-	-	-	SALEABLE		31414-8600	31414-8700
MX64 FEM 1X8 KAIZAN W/CPA BLK POLA/6	314049532	YES	A	BLACK	-	-	-	4	-	-	7	-	SALEABLE		31414-8600	31414-8700
MX64 FEM 1X8 KAIZAN W/CPA BLK POLA/5	314049533	YES	A	BLACK	1	2	3	-	-	-	-	-	SALEABLE		31414-8600	31414-8700
MX64 FEM 1X8 KAIZAN WOCPA BLK POLA/6	314049542	NO	A	BLACK	-	2	3	-	-	-	-	-	SALEABLE		31414-8600	31414-8700
MX64 FEM 1X8 KAIZAN WOCPA BLK POLA/5	314049543	NO	A	BLACK	-	2	3	-	-	6	-	-	SALEABLE		31414-8600	31414-8700
MX64 FEM 1X8 KAIZAN W/CPA BLK POLA/6	314049552	YES	A	BLACK	-	2	3	-	-	-	-	-	SALEABLE		31414-8600	31414-8700
MX64 FEM 1X8 KAIZAN W/CPA BLK POLA/5	314049553	YES	A	BLACK	-	2	3	-	-	6	-	-	SALEABLE		31414-8600	31414-8700
MX64 FEM 1X8 KAIZAN WOCPA BLK POLA/6	314049562	NO	A	BLACK	-	-	-	4	5	-	-	-	SALEABLE		31414-8600	31414-8700
MX64 FEM 1X8 KAIZAN WOCPA BLK POLA/5	314049563	NO	A	BLACK	-	2	3	-	-	-	7	-	SALEABLE		31414-8600	31414-8700
MX64 FEM 1X8 KAIZAN W/CPA BLK POLA/6	314049572	YES	A	BLACK	-	-	-	4	5	-	-	-	SALEABLE		31414-8600	31414-8700
MX64 FEM 1X8 KAIZAN W/CPA BLK POLA/5	314049573	YES	A	BLACK	-	2	3	-	-	-	7	-	SALEABLE		31414-8600	31414-8700
MX64 FEM 1X8 KAIZAN WOCPA BLK POLA/5	314049583	NO	A	BLACK	-	-	3	-	-	-	7	8	SALEABLE		31414-8600	31414-8700
MX64 FEM 1X8 KAIZAN WOCPA BLK POLA/4	314049584	NO	A	BLACK	-	2	3	-	-	-	7	8	SALEABLE		31414-8600	31414-8700
MX64 FEM 1X8 KAIZAN W/CPA BLK POLA/5	314049593	YES	A	BLACK	-	-	3	-	-	-	7	8	SALEABLE		31414-8600	31414-8700
MX64 FEM 1X8 KAIZAN W/CPA BLK POLA/4	314049594	YES	A	BLACK	-	2	3	-	-	-	7	8	SALEABLE		31414-8600	31414-8700
MX64 FEM 1X8 KAIZAN W/CPA BLK POLA/6	314049595	YES	A	BLACK	-	-	-	-	-	6	-	8	SALEABLE		31414-8600	31414-8700
MX64 FEM 1X8 KAIZAN W/CPA BLK POLA/7	314049596	YES	A	BLACK	-	-	-	-	-	-	7	-	SALEABLE		31414-8600	31414-8700

ASSEMBLY DESCRIPTION	ASSEMBLY PART NUMBER	COMPONENT			BLOCKED TERMINALS								STATUS	COMMENT	INTEGRAL COMPONENTS SOLD SEPARATELY		
		THE PRESENCE OF AN ABBREVIATION INDICATES THE PRESENCE OF THAT COMPONENT			CAVITY WITH A NUMBER INDICATES BLOCKED TERMINAL POSITION CAVITY WITHOUT A NUMBER INDICATES OPEN TERMINAL POSITION										DRESS COVER		
		CPA	KEY	COLOR													HORIZONTAL
MX64 FEM 1X8 KAIZAN W/CPA BLK POLA/6	314049597	YES	A	BLACK	1	-	3	-	-	-	-	-	-	SALEABLE		31414-8600	31414-8700
MX64 FEM 1X8 KAIZAN W/CPA BLK POLA/7	314049598	YES	A	BLACK	-	-	-	-	-	-	-	-	8	SALEABLE		31414-8600	31414-8700
MX64 FEM 1X8 KAIZAN W/CPA BLK POLA/3	314049599	YES	A	BLACK	-	2	3	4	-	-	7	8		SALEABLE		31414-8600	31414-8700
MX64 FEM 1X8 KAIZAN W/CPA BLK POLA/0	314049600	YES	A	BLACK	1	2	3	4	5	6	7	8		SALEABLE		31414-8600	31414-8700
MX64 FEM 1X8 KAIZAN W/CPA BLK POLA/4	314049601	NO	A	BLACK	1	2	-	-	5	6	-	-		SALEABLE		31414-8600	31414-8700
MX64 FEM 1X8 KAIZAN W/CPA BLK POLA/3	314049602	NO	A	BLACK	-	-	-	4	5	6	7	8		SALEABLE		31414-8600	31414-8700
MX64 FEM 1X8 KAIZAN W/CPA BLK POLA/4	314049603	YES	A	BLACK	-	2	3	-	5	6	-	-		SALEABLE		31414-8600	31414-8700
MX64 FEM 1X8 KAIZAN W/CPA BLK POLA/6	314049604	YES	A	BLACK	-	-	3	-	5	-	-	-		SALEABLE		31414-8600	31414-8700
MX64 FEM 1X8 KAIZAN W/CPA LTGY POLA/6	314049605	YES	A	LT GRAY	-	-	-	-	-	6	7	-		SALEABLE		31414-8600	31414-8700
MX64 FEM 1X8 KAIZAN W/CPA LTGY POLA/5	314049606	YES	A	LT GRAY	-	-	-	-	5	6	7	-		SALEABLE		31414-8600	31414-8700
MX64 FEM 1X8 KAIZAN W/CPA BLK POLA/5	314049607	YES	A	BLACK	-	2	3	4	-	-	-	-		SALEABLE		31414-8600	31414-8700
MX64 FEM 1X8 KAIZAN W/CPA LTGY POLA/5	314049608	YES	A	LT GRAY	-	2	3	4	-	-	-	-		SALEABLE		31414-8600	31414-8700
MX64 FEM 1X8 KAIZAN W/CPA LTGY POLB/6	314049609	YES	B	LT GRAY	-	2	3	-	-	-	-	-		SALEABLE		31414-8600	31414-8700
MX64 FEM 1X8 KAIZAN W/CPA LTGY POLB/7	314049610	YES	B	LT GRAY	-	2	-	-	-	-	-	-		SALEABLE		31414-8600	31414-8700
MX64 FEM 1X8 KAIZAN W/CPA LTGY POLB/7	314049611	YES	B	LT GRAY	-	-	3	-	-	-	-	-		SALEABLE		31414-8600	31414-8700
MX64 FEM 1X8 KAIZAN W/CPA BLK POLA/5	314049612	NO	A	BLACK	-	-	-	-	5	6	-	8		SALEABLE		31414-8600	31414-8700
MX64 FEM 1X8 KAIZAN W/CPA BLK POLA/6	314049613	YES	A	BLACK	-	-	-	-	-	6	7	-		SALEABLE		31414-8600	31414-8700
MX64 FEM 1X8 KAIZAN W/CPA BLK POLA/6	314049614	YES	A	BLACK	-	-	-	-	5	-	-	8		SALEABLE		31414-8600	31414-8700
MX64 FEM 1X8 KAIZAN W/CPA BLK POLA/5	314049615	YES	A	BLACK	-	-	-	-	5	6	7	-		SALEABLE		31414-8600	31414-8700
MX64 FEM 1X8 KAIZAN W/CPA BLK POLA/5	314049616	YES	A	BLACK	-	-	-	-	5	6	-	8		SALEABLE		31414-8600	31414-8700

WITHOUT CPA	WITH CPA	CIRCUIT SIZE	POLARIZATION	CONNECTOR HOUSING COLOR	TESTED WITH THE FEMALE TERMINAL	CAVITY WITH A NUMBER INDICATES BLOCKED TERMINAL POSITION CAVITY WITHOUT A NUMBER INDICATES OPEN TERMINAL POSITION								TOTAL CIRCUITS PLUGGED	STATUS	WIRE DRESS COVER(OPTIONAL)							
						1	2	3	4	5	6	7	8			HORIZONTAL	VERTICAL						
31404-9100	31404-9110	1X8	A	BLACK	TE GEN Y 0.64MM TERMINAL /YAZAKI FLX 0.64MM.TERMINAL								0	SALABLE									
31404-9101	31404-9111		A	BLACK					3						1	SALABLE							
31404-9102	31404-9112		A	BLACK					3	4					2	SALABLE							
31404-9103	31404-9113		A	BLACK				1							3	SALABLE							
31404-9104	31404-9114		A	BLACK				1	2	3	4				4	SALABLE							
31404-9105	31404-9115		A	BLACK				1	2	3	4				5	SALABLE							
31404-9106	31404-9116		A	BLACK					2			4	5	6	7	8	6	SALABLE					
31404-9107	31404-9117		A	BLACK											7	8	2	SALABLE	G1				
31404-9108	31404-9118		A	BLACK									5		7	8	3	SALABLE	G1				
31404-9109	31404-9119		A	BLACK								3	4	5			3	SALABLE	G4				
31404-9121	31404-9131		A	BLACK									3	4			1	SALABLE					
31404-9122	31404-9132		A	BLACK									3			7	2	SALABLE					
31404-9123	31404-9133		A	BLACK									3			8	3	SALABLE					
31404-9124	31404-9134		A	BLACK									1	2			4	SALABLE					
31404-9125	31404-9135		A	BLACK											5	6	7	8	4	SALABLE	G5		
31404-9126	31404-9136		A	BLACK									1	2	3	4	6	7	8	6	SALABLE	G6	
31404-9127	31404-9137		A	BLACK											4	5	6	7		3	SALABLE	G7	
31404-9128	31404-9138		A	BLACK											4	5	6	7		3	SALABLE	G7	
31404-9129	31404-9139		A	BLACK											5	6	7			2	SALABLE	G7	
31404-9141	31404-9151		A	BLACK												6	7			1	SALABLE		
31404-9142	31404-9152		A	BLACK										2			6			2	SALABLE		
31404-9143	31404-9153		A	BLACK										1	2	3	6			3	SALABLE		
31404-9144	31404-9154		A	BLACK												6	7	8		3	SALABLE	G8 G9	
31404-9161	31404-9171		A	BLACK										2						1	SALABLE		
31404-9162	31404-9172		A	BLACK										1	2					2	SALABLE		
31404-9163	31404-9173		A	BLACK										1	2		6			3	SALABLE		
31404-9182	31404-9192		A	BLACK												3	6			2	SALABLE		
31404-9183	31404-9193		A	BLACK										1			4	6		3	SALABLE	G	
31404-9501	31404-9511		A	LT.GRAY												3				1	SALABLE		
31404-9502	31404-9512		A	BLACK												4	5	6		2	SALABLE		
31404-9503	31404-9513		A	BLACK										1	2		4			3	SALABLE		
31404-9522	31404-9532		A	BLACK												4			7	2	SALABLE		
31404-9523	31404-9533		A	BLACK										1	2	3				3	SALABLE		
31404-9542	31404-9552		A	BLACK											2	3				2	SALABLE		
31404-9543	31404-9553		A	BLACK											2	3				3	SALABLE		
31404-9562	31404-9572		A	BLACK												4	5	6		2	SALABLE		
31404-9563	31404-9573		A	BLACK											2	3			7	3	SALABLE		
31404-9583	31404-9593		A	BLACK												3			7	8	3	SALABLE	
31404-9584	31404-9594		A	BLACK											2	3			7	8	4	SALABLE	
31404-9200	31404-9210		B	LT.GRAY																	0	SALABLE	G3
31404-9203	31404-9213		B	LT.GRAY												3			7	8	3	SALABLE	G3
31404-9204	31404-9214		B	LT.GRAY											2	3			7	8	4	SALABLE	G3
31404-9300	31404-9310		C	DK.GRAY																	0	SALABLE	
31404-9400	31404-9410		D	TBD																	0	NOT TOOL	
31404-9001	31404-9006		B	BLACK																	0	SALABLE	G8
31404-9002	31404-9007		C	BLACK																	0	SALABLE	G8
31404-9003	31404-9008		C	LT.GRAY																	0	SALABLE	G8
31404-9004	31404-9009		A	DK.GRAY																	0	SALABLE	G8
31404-9005	31404-9010	B	DK.GRAY																0	SALABLE	G8		
31404-9184	31404-9595	A	BLACK											6		8		2	SALABLE	G11			
31404-9586	31404-9596	A	BLACK											7				1	SALABLE	G11			

NOTES: VALID UNLESS OTHERWISE SPECIFIED

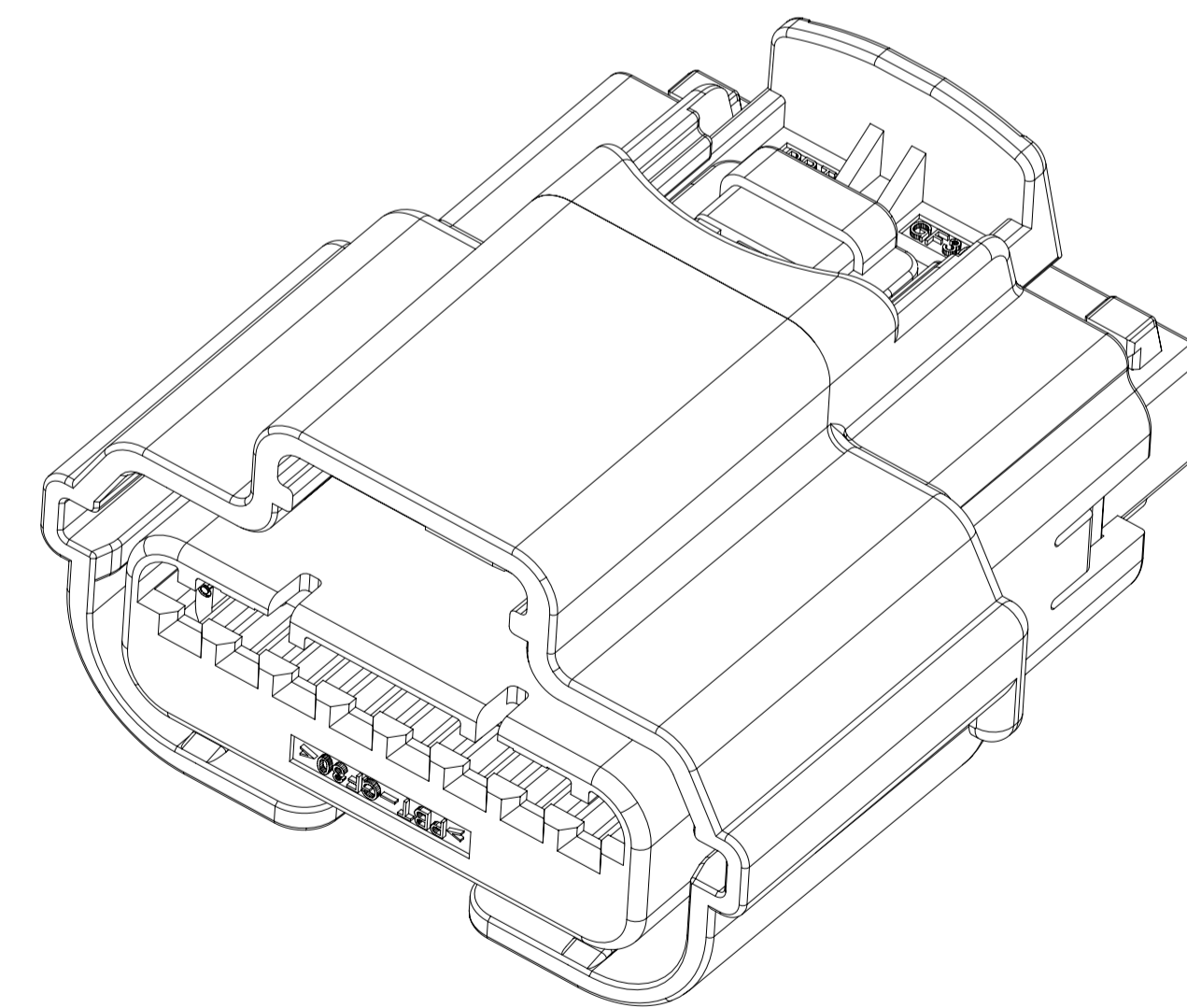
- GENERAL:
 - a. APPLICATION SPECIFICATION SEE: AS-31402-000
 - DESIGNED TO MATE WITH DEVICE CONNECTION AS SPECIFIED IN USCAR INTERFACE DRAWING FOR SINGLE ROW SEALED 0.64 SYSTEMS. 064-S-008-1-Z02.
 - ASSEMBLY SHIPPED WITH TPA IN PRE-SET POSITION (SEE SECTION Z-Z) UPON FULL TERMINAL ASSEMBLY. TPA MUST BE SNAPPED INTO ITS FINAL LOCK POSITION AFTER TERMINALS ARE ASSEMBLED (SEE SECTION Y-Y)
 - TPA'S MAY BECOME SEATED DURING TRANSIT. IF THIS OCCURS, TPA'S SHOULD BE MOVED TO THE PRE-LOCKED POSITION PRIOR TO FEMALE TERMINAL INSTALLATION.
 - REFERENCE PRODUCT SPECIFICATION: PS-34646-001.
 - SYSTEM TO BE USED WITH WIRE WITHIN RANGE OF:
 - >SAE 22 AWG TO 18 AWG
 - >ISO 0.35MM² TO 0.75MM² PER GMW156256
 - >CABLE OUTSIDE DIAMETER: FROM 1.2MM TO 1.9 MM
 - PRODUCT SPECIFICATION SEE: PS-31404-001
 - PACKAGING SPECIFICATION PER MOLEX DRAWING: PK-31300-256
 - PARTS MUST BE IN COMPLIANCE TO MOLEX CHEMICAL SUBSTANCES FOR PRODUCTS AND PACKAGING SPECIFICATION: ES-40000-5016
 - DATA MUST BE SUBMITTED UNDER THE MOLEX PART NUMBER TO IMDS (COMPANY ID#13255)
- DESIGN - MATERIALS:
 - a. SEE BOM TABLE IN PAGE 2
 - DESIGN - GEOMETRY:
 - a. THIS IS A 100% CAD GENERATED PART. THE CAD MATHEMATICAL DATA IS THE MASTER FOR THIS PART. FOR DIMENSIONAL OR ANY INFORMATION
 - b. DATE CODE: FIRST TWO DIGITS ARE THE CALENDAR YEAR (EXAMPLE: 13 = 2013). THIRD THROUGH 5TH DIGIT DAY # OF THE CALENDAR YEAR (EXAMPLE: FEB. 3RD = '034').
 - c. VISUAL DEFECTS SHALL MEET COSMETIC STANDARD PS-45499-002 (Class B)

TABLE OF CONTENTS	
SHEET NO.	SHEET DESCRIPTION
1	NOTE
2	BOM
3	KEY CONFIGURATION
4	WIRE DRESS COVER ASSEMBLY

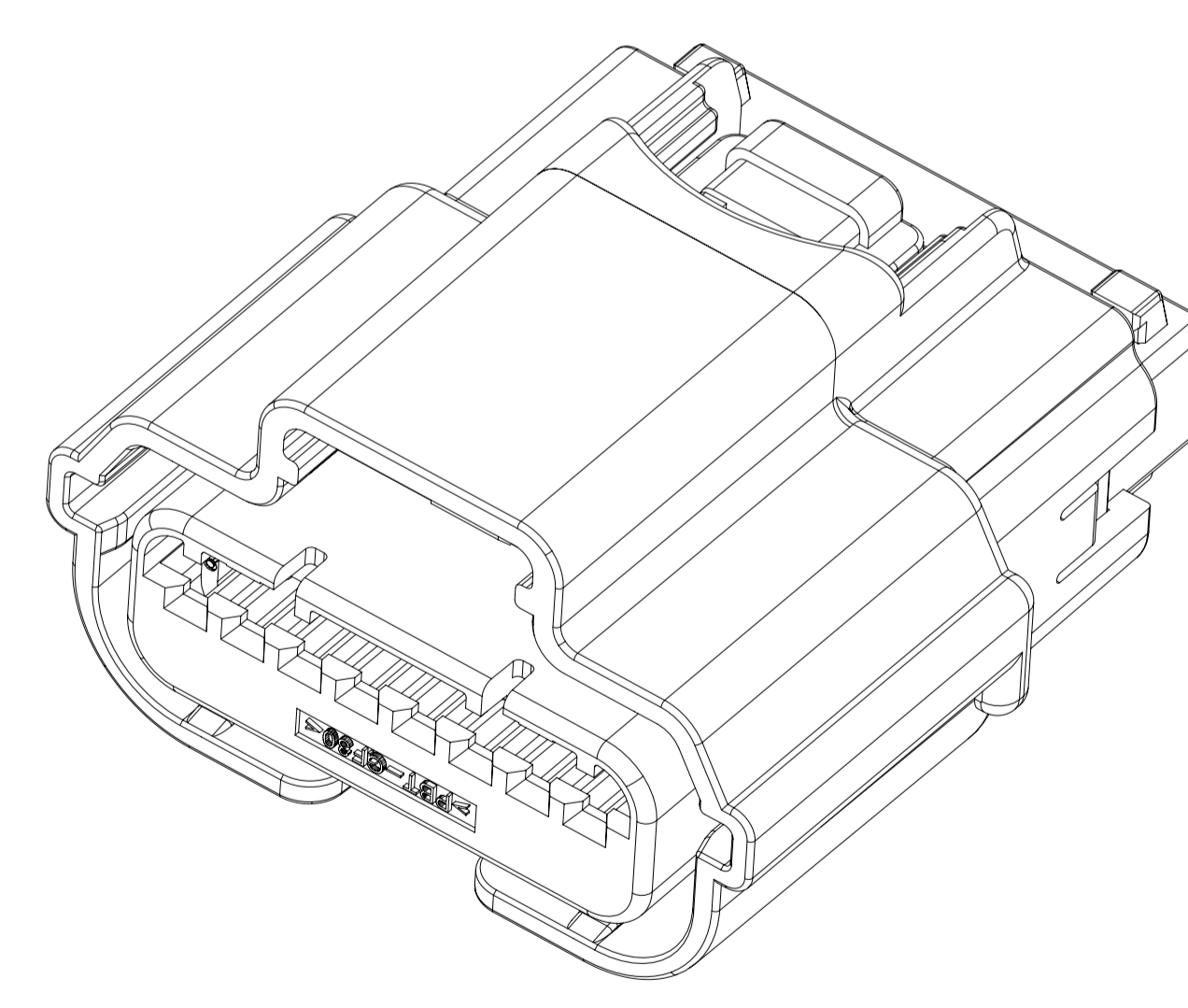
PART NUMBER LEGEND
CONNECTOR ASSEMBLY
31404-9XXX

- 0 - ALL CIRCUITS OPEN
 - 1-9 - SEE CHART
- CPA OPTION
0, 2, 4, 6 OR 8 WITHOUT CPA
1, 3, 5, 7 OR 9 WITH CPA
- POLARIZATION OPTION
1 OR 5- POLARIZATION A
2 OR 6- POLARIZATION B
3 OR 7- POLARIZATION C
4 OR 8- POLARIZATION D

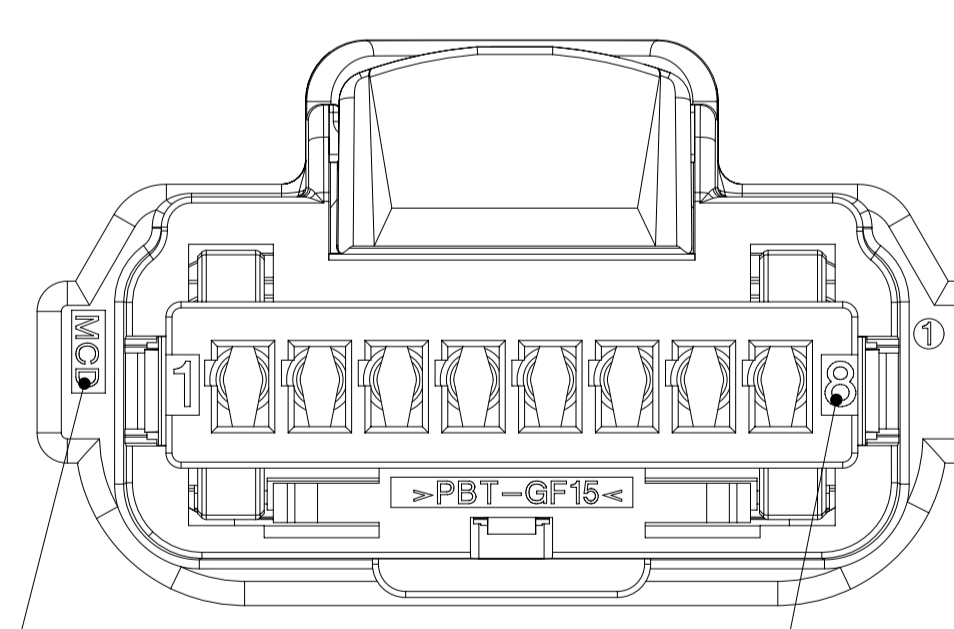
G12	REMOVE 31404-9585, ADD 31404-9184 BACK
G11	ADD P/N: 31404-9585/9595, 31404-9586/9596; Delete 31404-9184/9194
G10	ADD P/N: 31404-9184/9194
G9	UPDATE CONFIGURATION FOR P/N 31404-9144/9154
G8	ADD P/N: 31404-9001 TO 9010, 31404-9144/9154
G7	ADD P/N: 31404-9128/9138, 31404-9129/9139
G6	ADD P/N: 31404-9127/9137
G5	ADD P/N: 31404-9125/9135
G4	ADD P/N: 31404-9109/9119
G3	ADD P/N: 31404-9203/9213, DELETE OBSOLETE P/Ns (31404-8XXX)
G2	UPDATE COLOR DESCRIPTION
G1	ADD P/N: 31404-9107/9117, 31404-9108/9118
G	OBSOLETE P/N 31404-8XXX ADD NEW P/N 31404-9501/31404-9511
F	ADD P/N 31404-9583/9593, 31404-9584/9594 AND 31404-9204/9214 CHANGE STATUS FROM "TOOED" TO "SALABLE"
E6	CHANGE P/N 31401-9101 TO 31404-9101
E3	ADD P/N: 31404-8563/8573 AND 31404-9563/9573
E2	ADD P/N: 31404-8126/8136 AND 31404-9126/9136
E1	ADD P/N: 31404-8106/8116 AND 31404-9106/9116
E	ADD P/N:31404-9XXX BASED ON THE PRODUCT UPGRADE
D3	ADD P/N: 31404-8562, 31404-8572,
D2	ADD P/N: 31404-8161 AND 31404-8171 31404-8542 AND 31404-8552 AND MANUFACTURING LOCATION ID
D1	ADD P/N: 31404-8522 AND 31404-8532
D	ADD P/N: 31404-8502 AND 31404-8512
C2	UPDATE NOTE 1_a ADD TE TERMINAL IN THE LIST
C1	UPDATE TERMINAL AND WIRE INFORMATON
C	ADD WIRE DRESS CONVER P/N.
B	ADD P/N
A	INITIAL RELEASE SAP # 10647976
REV	REV DESCRIPTION



WITH CPA



WITHOUT CPA



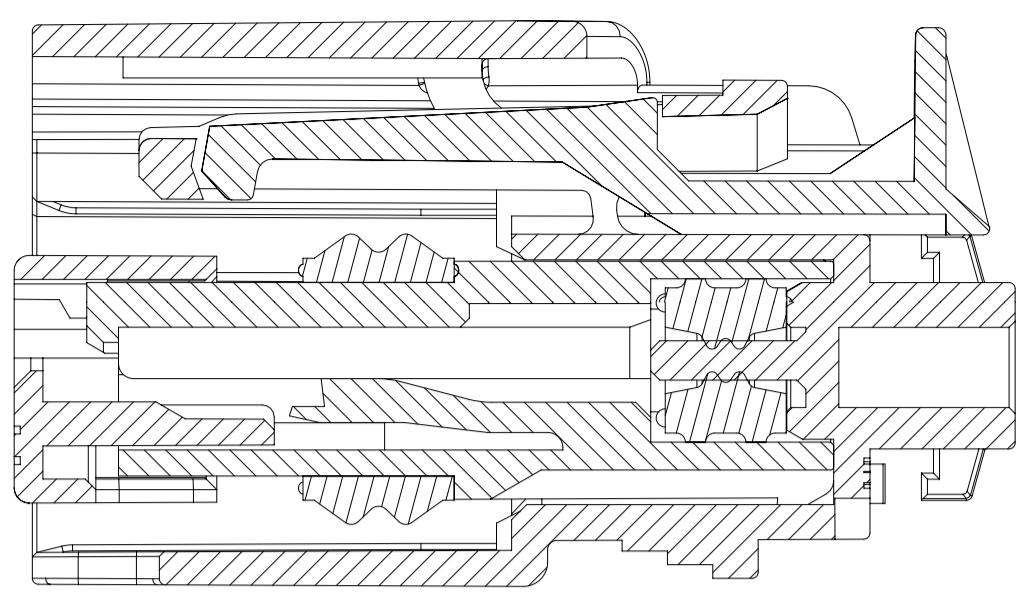
MANUFACTURING
LOCATION ID

CIRCUIT ID

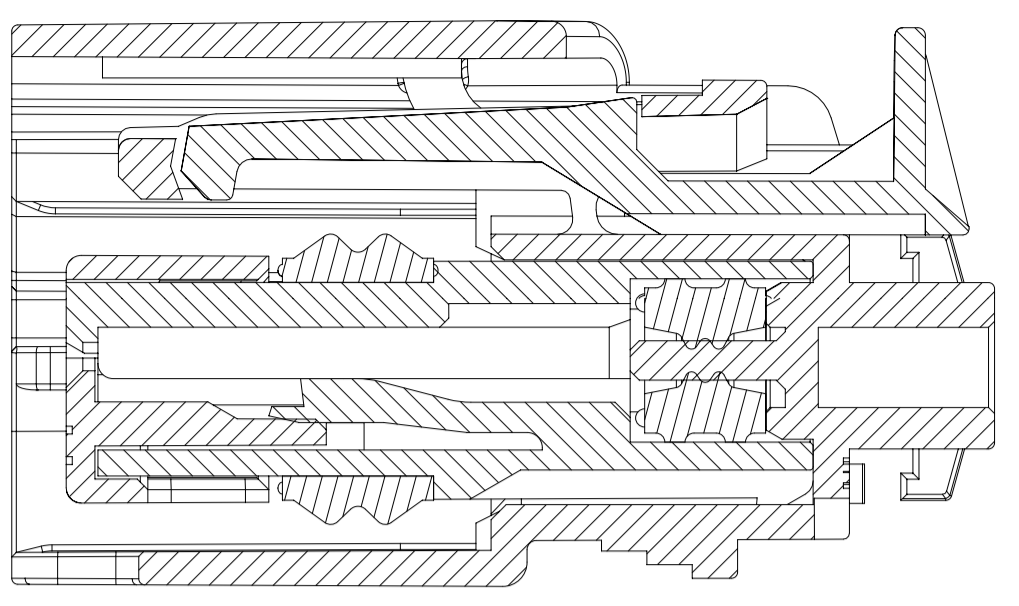
INSPECTION BALLOON NUMBER LOG	
PER DRAWING REVISION: F	
LAST BALLOON NUMBER USED: 4	
ADDED BALLOON NUMBERS:	
REMOVED BALLOON NUMBERS:	

SYMBOLS THIS DRAWING CONTAINS INFORMATION THAT IS PROPRIETARY TO MOLEX ELECTRONIC TECHNOLOGIES, LLC AND SHOULD NOT BE USED WITHOUT WRITTEN PERMISSION DIMENSION UNITS: mm SCALE: 4:1 GENERAL TOLERANCES (UNLESS SPECIFIED) ANGULAR TOL: ± 0.5° 4 PLACES ± 0 3 PLACES ± 0 2 PLACES ± 0 1 PLACE ± 0 0 PLACES ± 0 DRAFT WHERE APPLICABLE MUST REMAIN WITHIN DIMENSIONS	CURRENT REV DESC: EC NO: CO-000000853 DRWN: Yan Allen 15-Apr-2022 CHK'D: Fiona Chen 15-Apr-2022 APPR: Colin Zhang 20-Apr-2022 INITIAL REVISION: DRWN: Yan Allen 14-Feb-2022 APPR: David Xie 24-Feb-2022	molex USCAR 0.64MM 8 WAY ADD NEW P/N: 314049184/9194 PRODUCT SALES DRAWING	
	DOCUMENT NUMBER: SD-31404-811 DOC TYPE: PSD DOC PART: 001 REVISION: G12	MATERIAL NUMBER: 31404 CUSTOMER: GENERAL MARKET SHEET NUMBER: 1 OF 4	

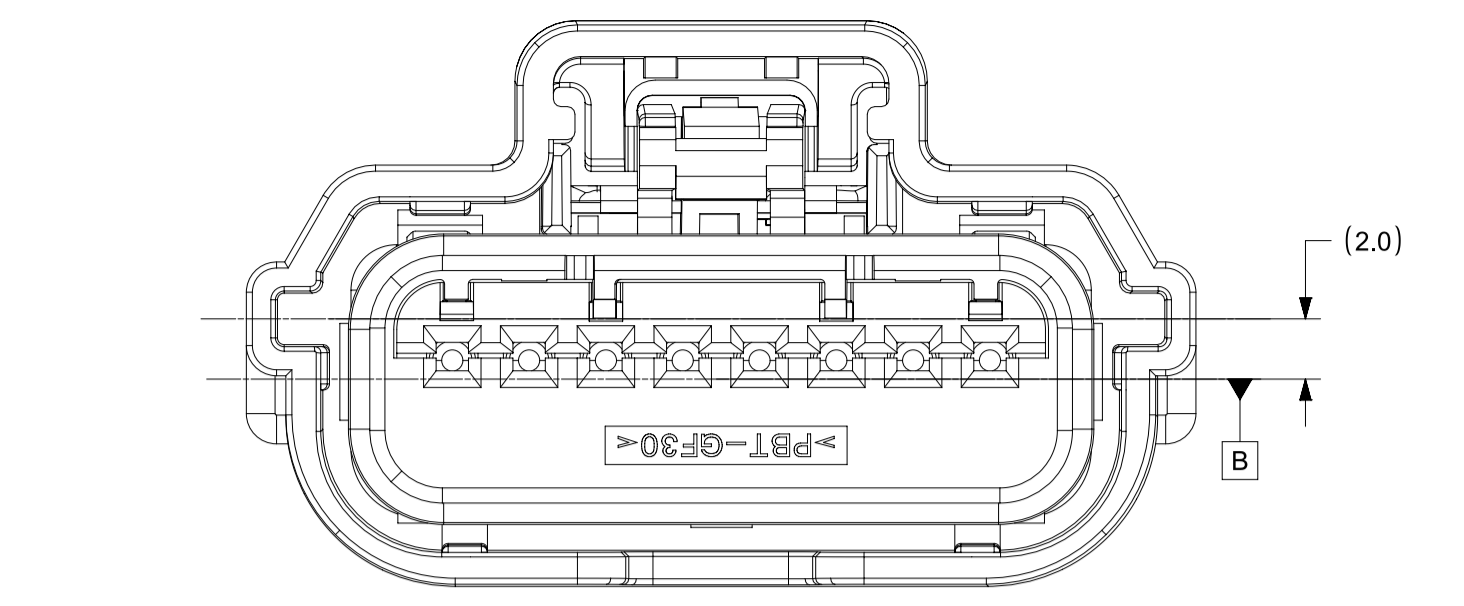
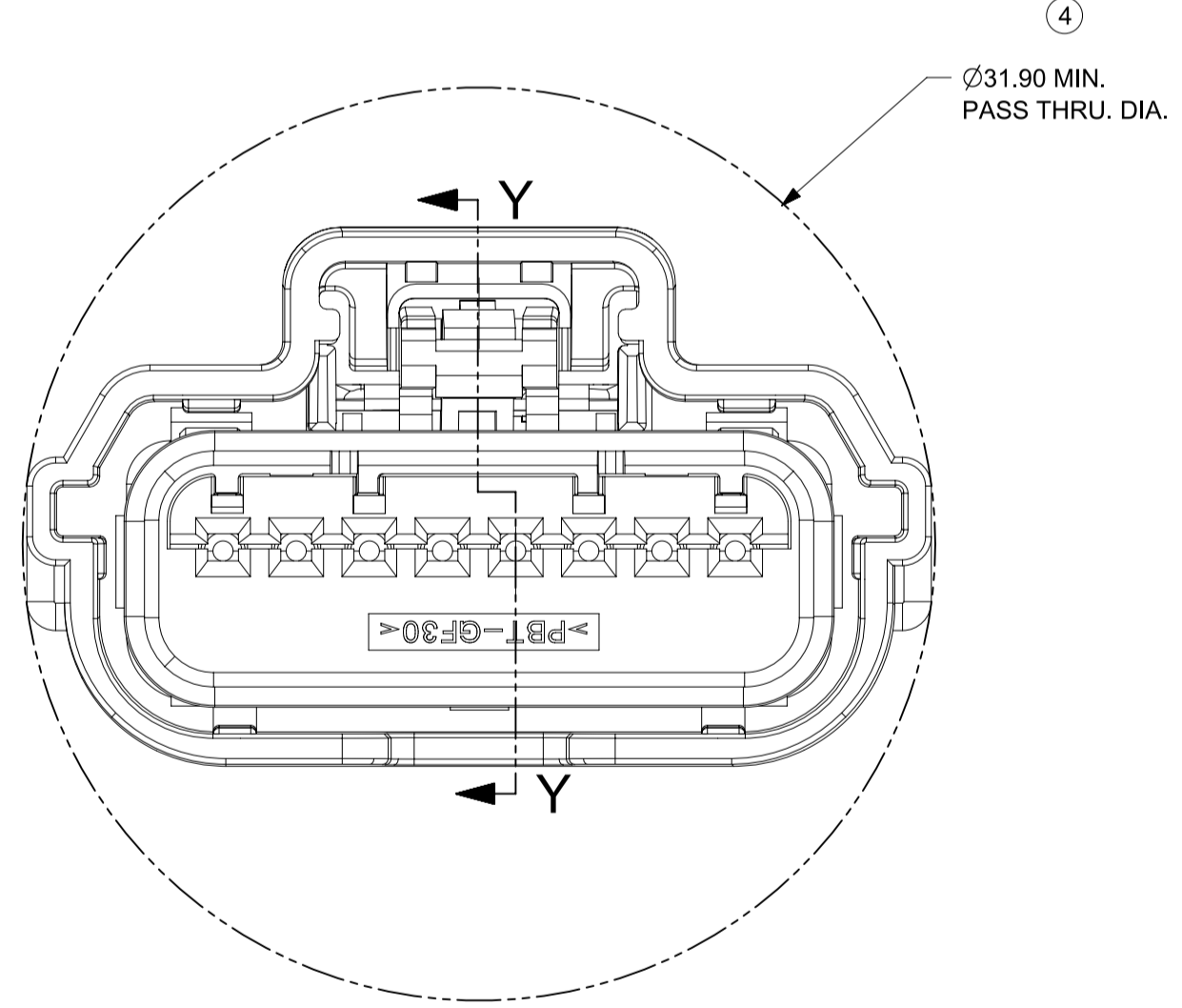
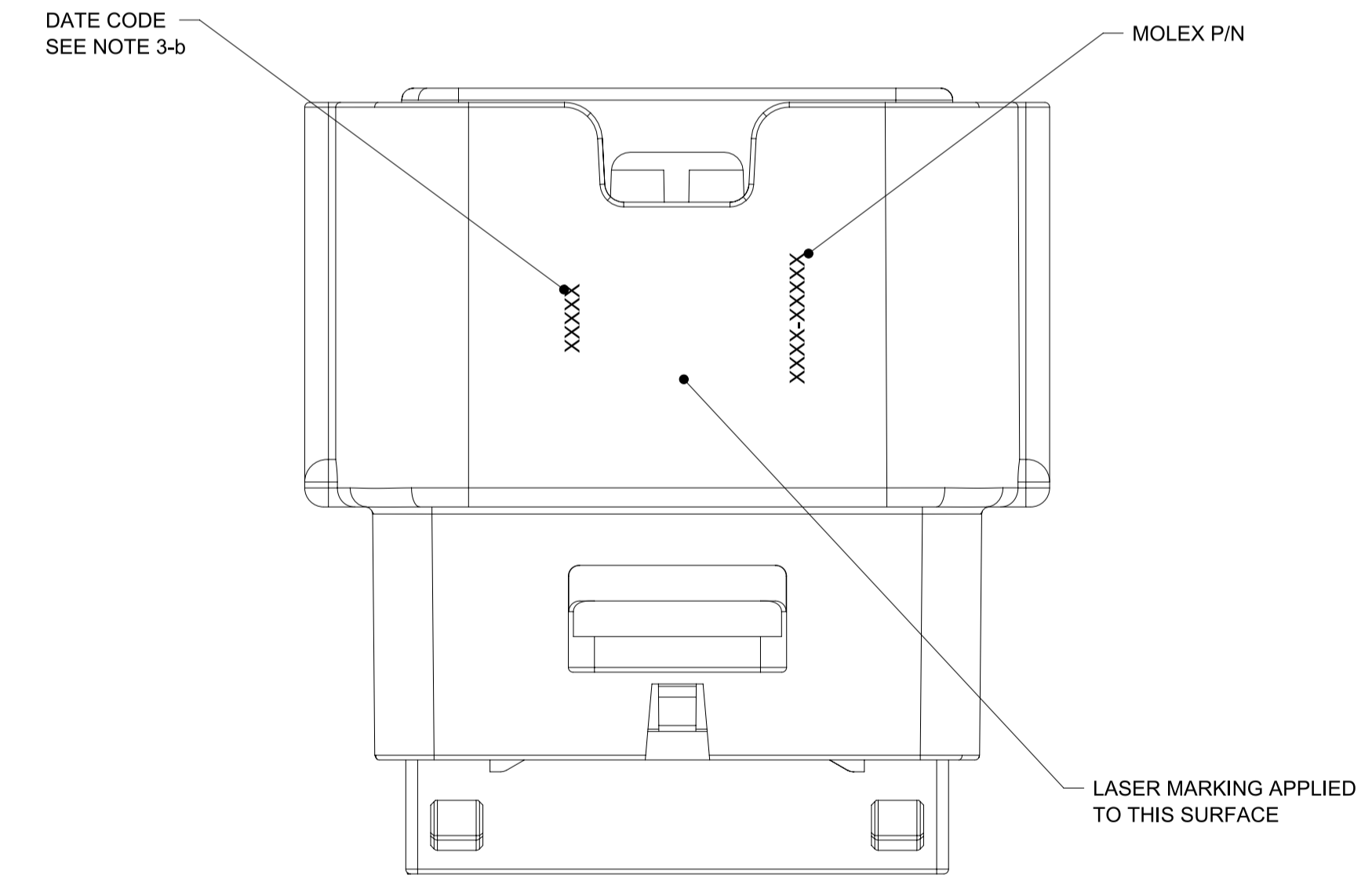
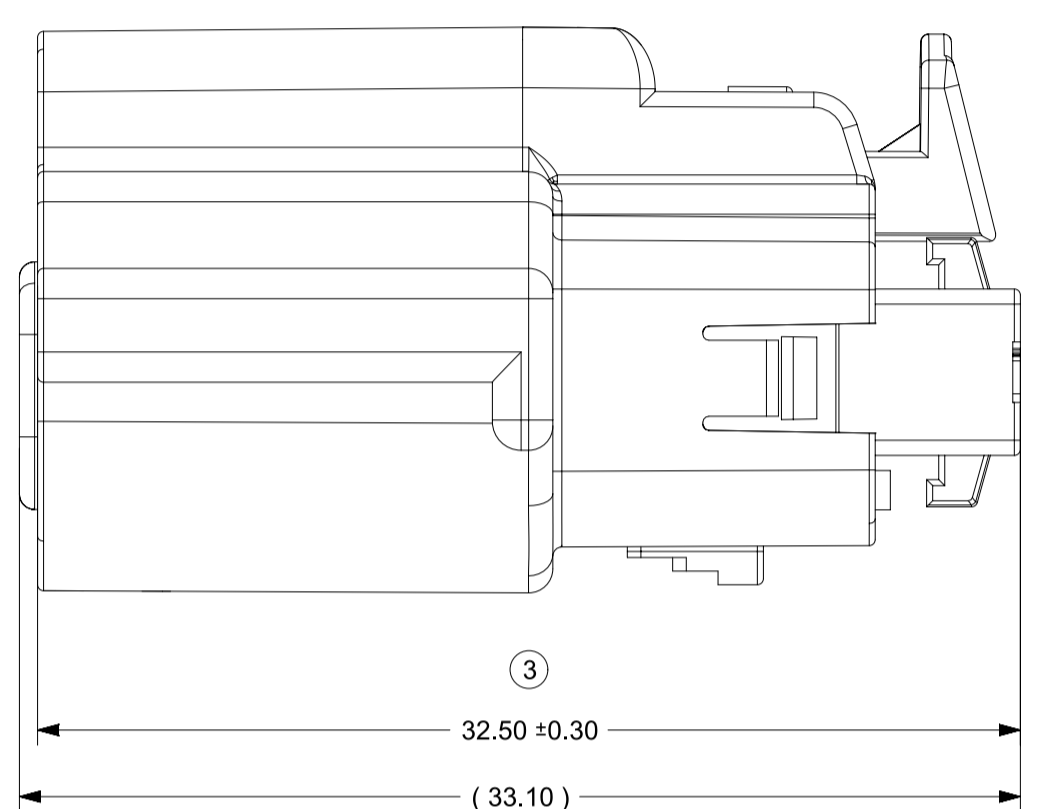
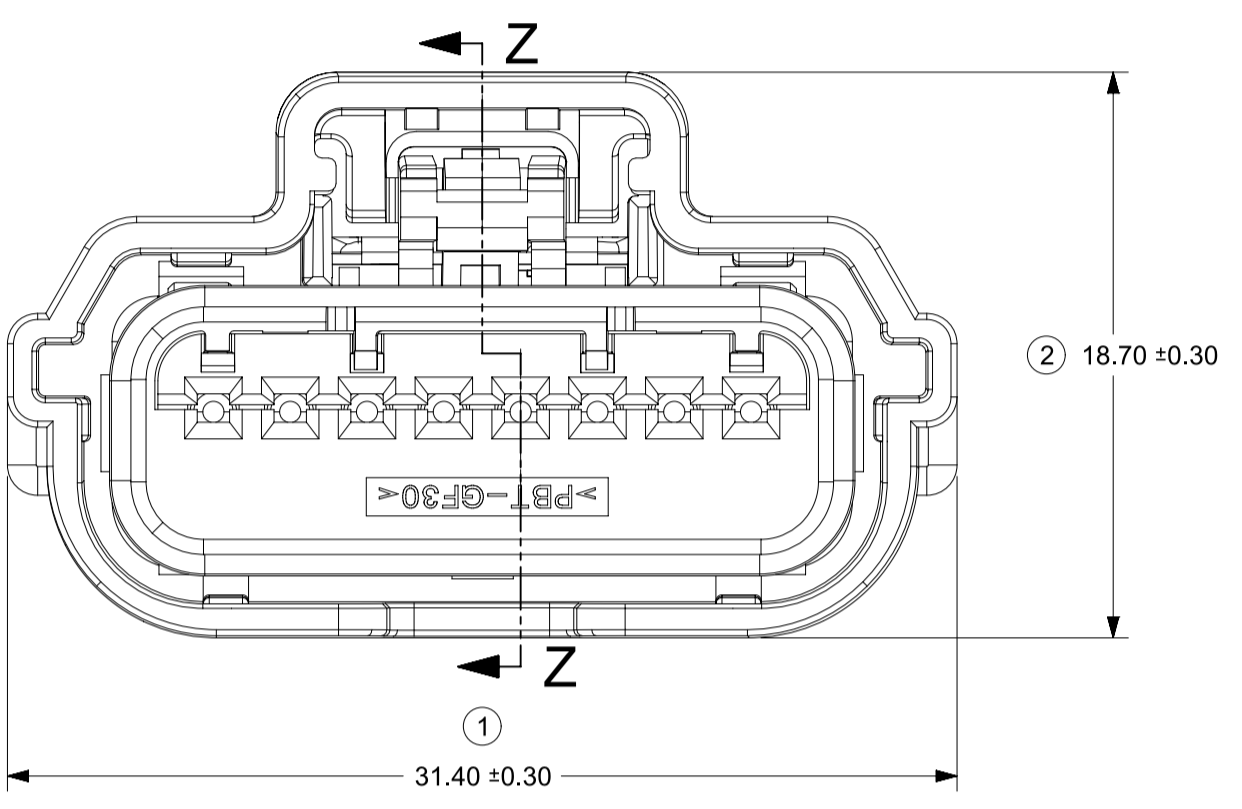
SHEET DESCRIPTION
KEY CONFIGURATIONS



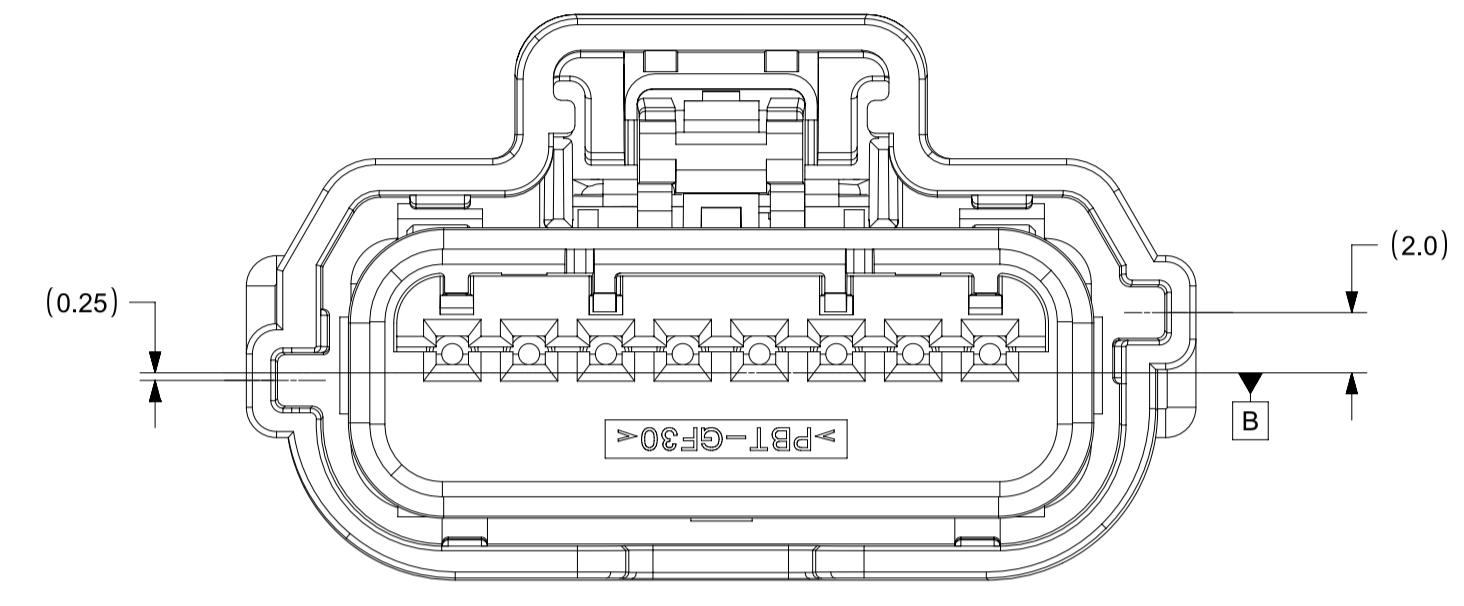
SECTION Z-Z
TPA SHOWN IN AS-SHIPPED
PRE-SET POSITION
SEE NOTE 1-a



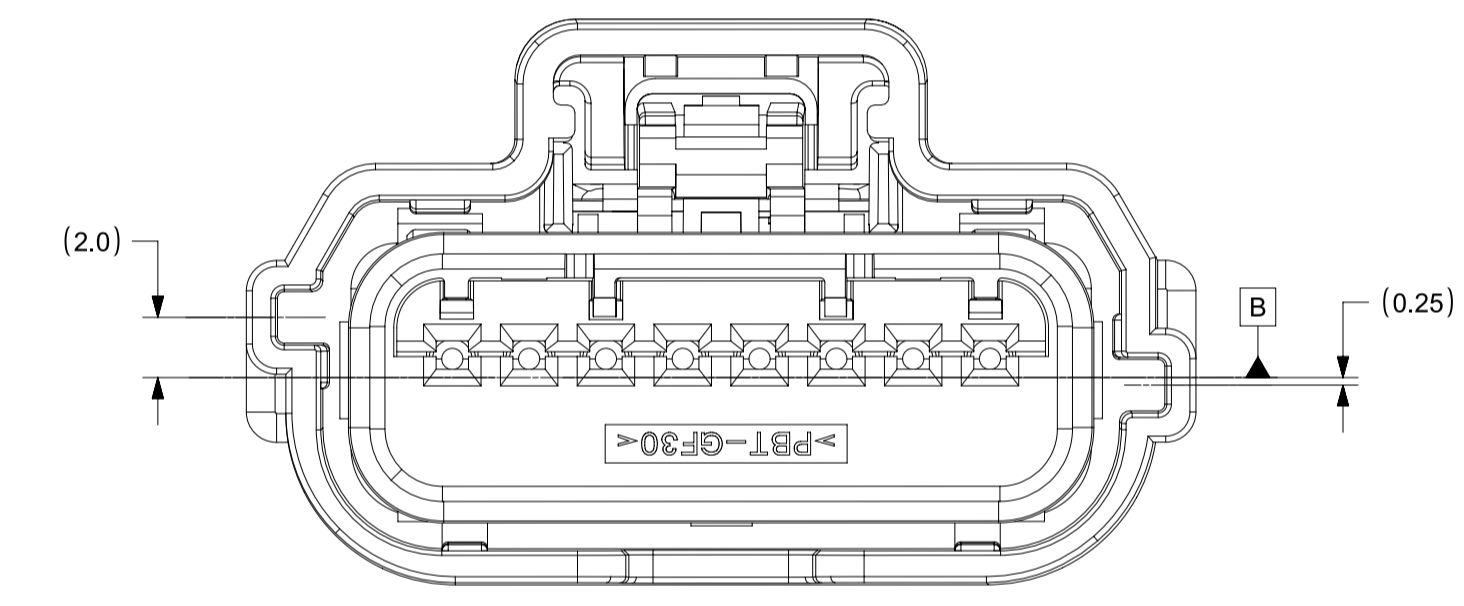
SECTION Y-Y
TPA SHOWN IN FINAL
LOCK POSITION
SEE NOTE 1-a



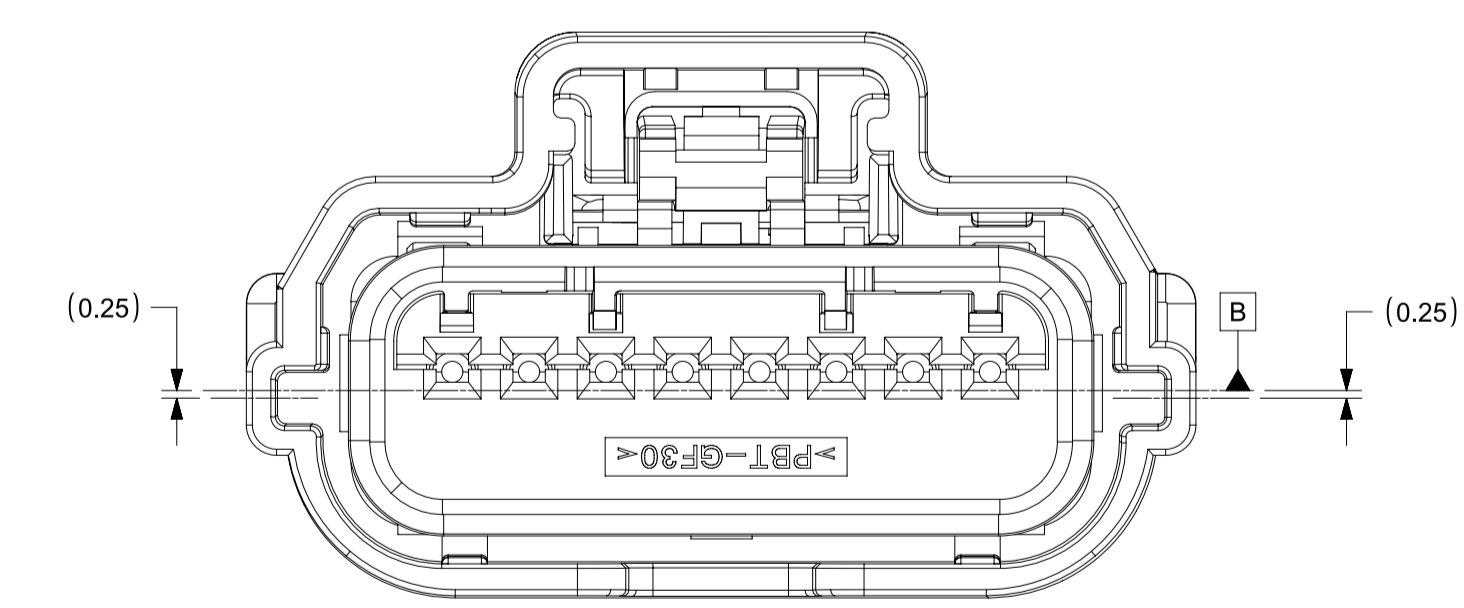
POLARIZATION A



POLARIZATION B



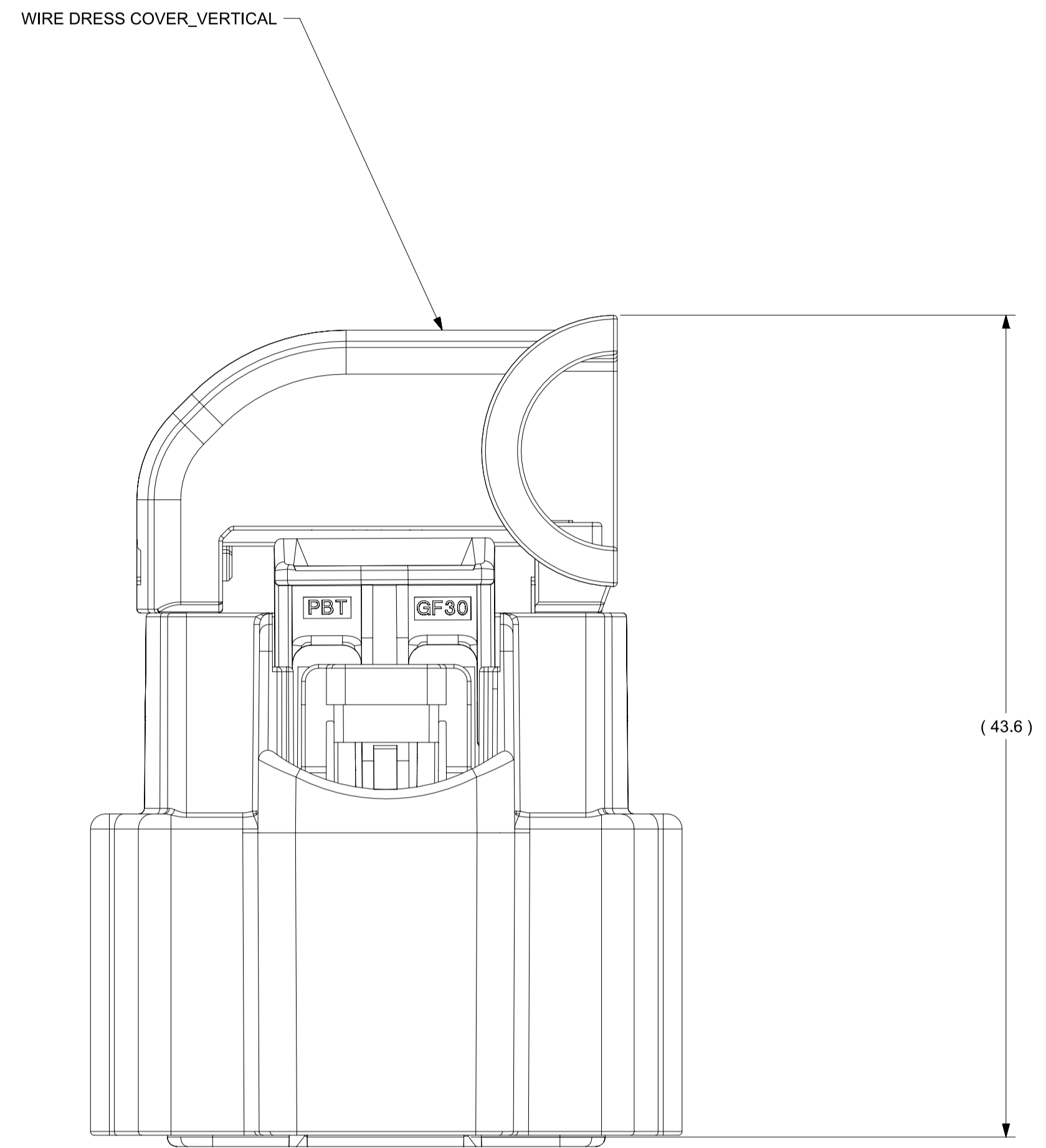
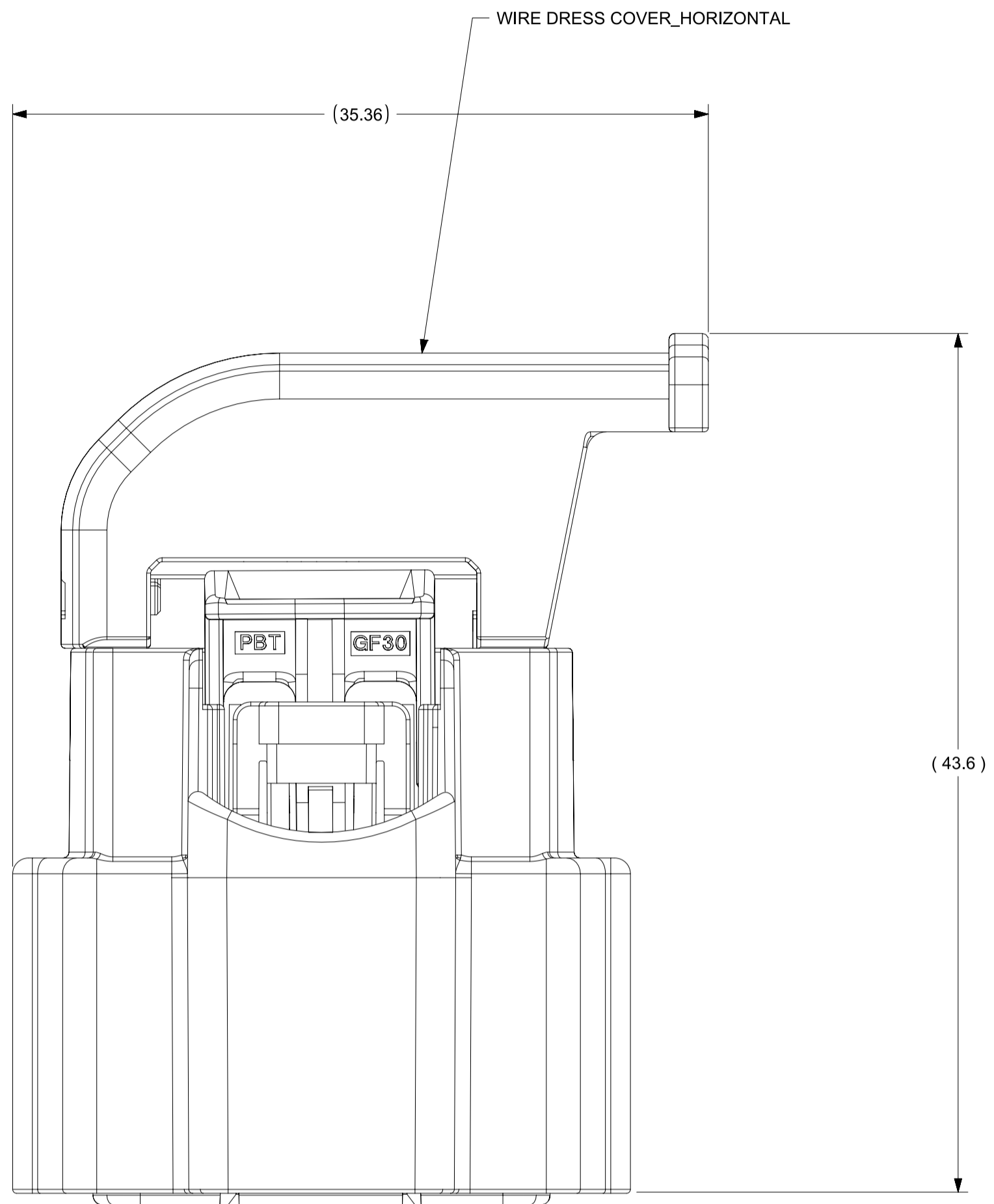
POLARIZATION C



POLARIZATION D

SYMBOLS = 0 = 0 = 0 = 0 = 0 = 0 = 0 = 0 = 0	THIS DRAWING CONTAINS INFORMATION THAT IS PROPRIETARY TO MOLEX ELECTRONIC TECHNOLOGIES, LLC AND SHOULD NOT BE USED WITHOUT WRITTEN PERMISSION DIMENSION UNITS: mm SCALE: 4:1	CURRENT REV DESC: EC NO: CO-000000853 DRWN: Yan Allen 15-Apr-2022 CHK'D: Fiona Chen 15-Apr-2022 APPR: Colin Zhang 20-Apr-2022 INITIAL REVISION: DRWN: Yan Allen 14-Feb-2022 APPR: David Xie 24-Feb-2022	 USCAR 0.64MM 8 WAY ADD NEW P/N: 314049184/9194		
	GENERAL TOLERANCES (UNLESS SPECIFIED) ANGULAR TOL ± 0.5° 4 PLACES ± 0 3 PLACES ± 0 2 PLACES ± 0 1 PLACE ± 0 0 PLACES ± 0 DRAFT WHERE APPLICABLE MUST REMAIN WITHIN DIMENSIONS	PRODUCT SALES DRAWING DOCUMENT NUMBER: SD-31404-811 DOC TYPE: PSD DOC PART: 001 REVISION: G12	MATERIAL NUMBER: 31404 CUSTOMER: GENERAL MARKET SHEET NUMBER: 3 OF 4		

SHEET DESCRIPTION
WIRE DRESS COVER ASSEMBLY



SYMBOLS = 0 = 0 = 0 = 0 = 0 = 0 = 0 = 0 = 0	THIS DRAWING CONTAINS INFORMATION THAT IS PROPRIETARY TO MOLEX ELECTRONIC TECHNOLOGIES, LLC AND SHOULD NOT BE USED WITHOUT WRITTEN PERMISSION		CURRENT REV DESC: EC NO: CO-000000853 DRWN: Yan Allen 15-Apr-2022 CHK'D: Fiona Chen 15-Apr-2022 APPR: Colin Zhang 20-Apr-2022		 USCAR 0.64MM 8 WAY ADD NEW P/N: 314049184/9194				
	DIMENSION UNITS mm	SCALE 4:1	GENERAL TOLERANCES (UNLESS SPECIFIED) ANGULAR TOL ± 0.5°					PRODUCT SALES DRAWING	
4 PLACES ± 0 3 PLACES ± 0 2 PLACES ± 0 1 PLACE ± 0 0 PLACES ± 0	DRAFT WHERE APPLICABLE MUST REMAIN WITHIN DIMENSIONS		THIRD ANGLE PROJECTION 	DRAWING A1-SIZE	SERIES 31404	DOCUMENT NUMBER SD-31404-811	DOC TYPE PSD	DOC PART 001	REVISION G12
DOCUMENT STATUS Approved	RELEASE DATE 20-Apr-2022 01:31:59	MATERIAL NUMBER CUSTOMER GENERAL MARKET		SHEET NUMBER 4 OF 4					