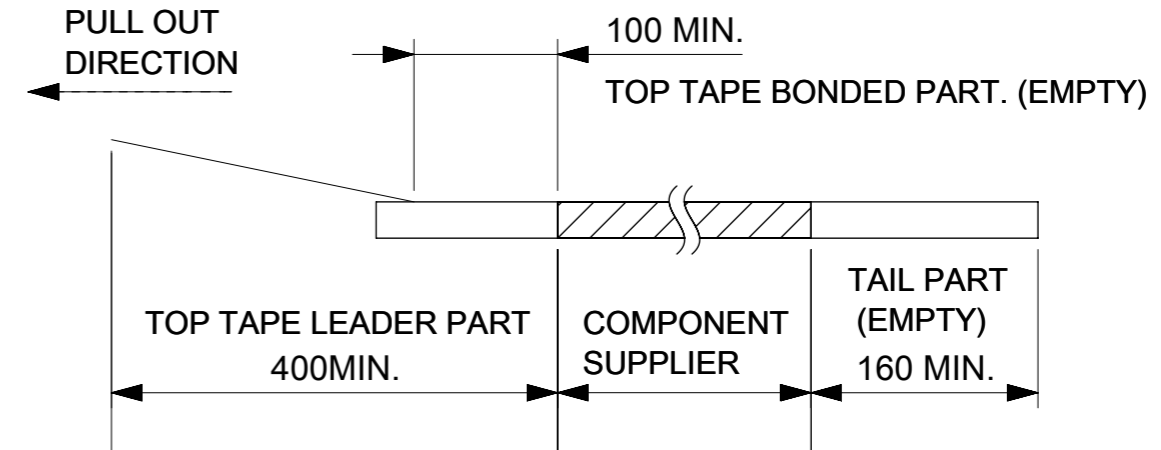
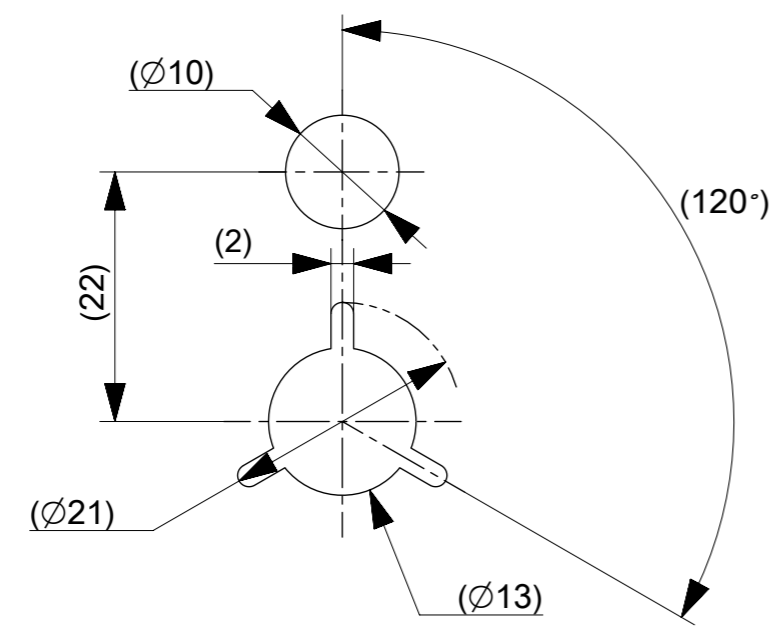


NOTES

- 1. REGARDING DETAILED DIMENSION, SEE PRODUCT DRAWING.
- 2. NUMBER OF CONNECTORS : 20000PCS/REEL
- 3. LEAD TAPE LENGTH.

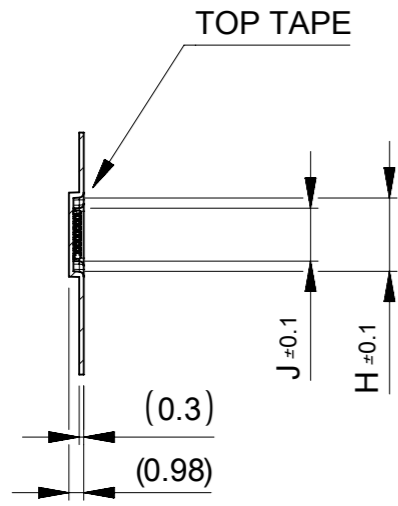


- 4. PEELING OFF FORCE OF THE TOP TAPE IS DEFINED BY IEC60286-3.
- 5. MATERIAL  
 CARRIER TAPE : POLYSTYRENE OR PET  
 TOP TAPE : PET , OTHER  
 REEL : POLYSTYRENE (PS) < RECYCLE MATERIAL CONTAINED >

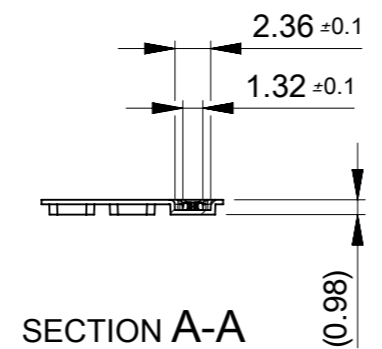
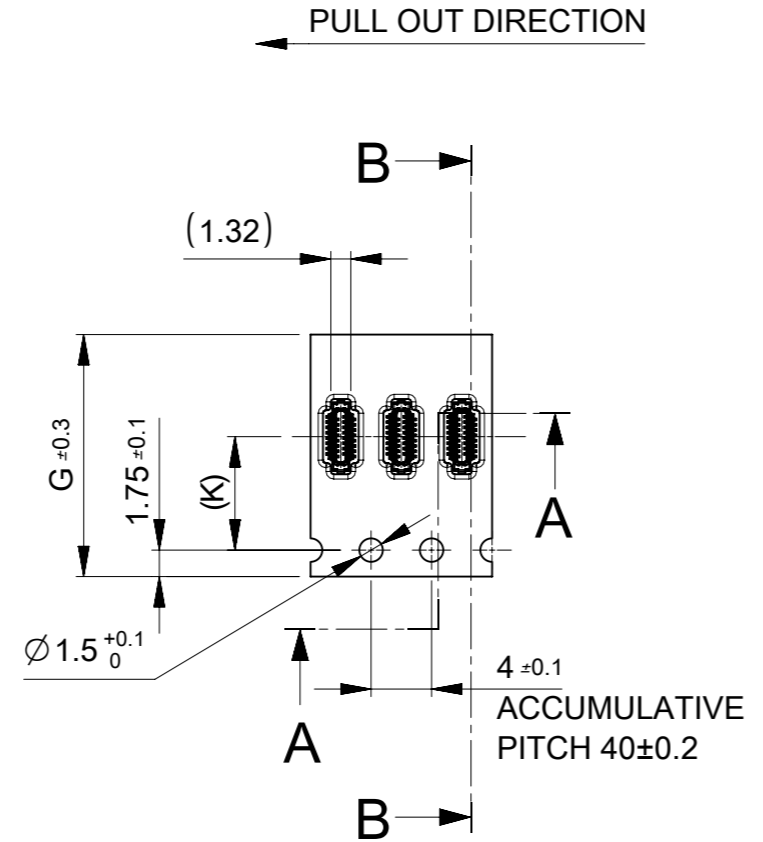


DETAIL "D"

THIS DRAWING CONTAINS INFORMATION THAT IS PROPRIETARY TO MOLEX ELECTRONIC TECHNOLOGIES, LLC AND SHOULD NOT BE USED WITHOUT WRITTEN PERMISSION											
DIMENSION UNITS		SCALE		CURRENT REV DESC:				<b>molex</b>		0.175 QUAD-ROW H0.6 PLUG EMBS PACKAGE	
mm		NTS									
GENERAL TOLERANCES (UNLESS SPECIFIED)											
ANGULAR TOL ± 3.0°											
4 PLACES		±		EC NO: 798090		2024/09/10		PRODUCT CUSTOMER DRAWING		DOCUMENT NUMBER: 2177170000-SD	
3 PLACES		±		DRWN: VYSHNC		2024/10/28					
2 PLACES		±		CHK'D: HSHIMOYAMA		2024/10/28					
1 PLACE		±		APPR: YNAITO		2024/10/28		DOC TYPE: PSD		DOC PART: 000	
0 PLACES		±		INITIAL REVISION:		2021/11/09		REVISION: D			
DRWN: AISHII		2022/05/26		APPR: KSASAKI				MATERIAL NUMBER: SEE SHEET 2		CUSTOMER: GENERAL	
DRAFT WHERE APPLICABLE MUST REMAIN WITHIN DIMENSIONS		THIRD ANGLE PROJECTION		DRAWING: A3-SIZE		SERIES: 217717		SHEET NUMBER: 1 OF 2			



SECTION B-B



SECTION A-A

11.5	6.3	7.775	24	29.4	25.4	2177170643	64
7.5	4.55	6.025	16	21.4	17.4	2177170443	44
7.5	2.45	3.925	16	21.4	17.4	2177170203	20
K	J	H	G	F	E	ORDER NO.	CIRCUIT

THIS DRAWING CONTAINS INFORMATION THAT IS PROPRIETARY TO MOLEX ELECTRONIC TECHNOLOGIES, LLC AND SHOULD NOT BE USED WITHOUT WRITTEN PERMISSION

DIMENSION UNITS	SCALE	CURRENT REV DESC:		<b>molex</b>			
mm	NTS						
GENERAL TOLERANCES (UNLESS SPECIFIED)				0.175 QUAD-ROW H0.6 PLUG EMBS PACKAGE			
ANGULAR TOL ± 3.0°				PRODUCT CUSTOMER DRAWING			
4 PLACES	±	EC NO: 798090		DOCUMENT NUMBER			
3 PLACES	±	DRWN: VYSHNC	2024/09/10	2177170000-SD			
2 PLACES	±	CHK'D: HSHIMOYAMA	2024/10/28	DOC TYPE	DOC PART	REVISION	
1 PLACE	±	APPR: YNAITO	2024/10/28	PSD	000	D	
0 PLACES	±	INITIAL REVISION:					
		DRWN: AISHII	2021/11/09				
		APPR: KSASAKI	2022/05/26				
DRAFT WHERE APPLICABLE MUST REMAIN WITHIN DIMENSIONS		THIRD ANGLE PROJECTION	DRAWING	SERIES	MATERIAL NUMBER	CUSTOMER	SHEET NUMBER
			A3-SIZE	217717	SEE TABLE	GENERAL	2 OF 2