



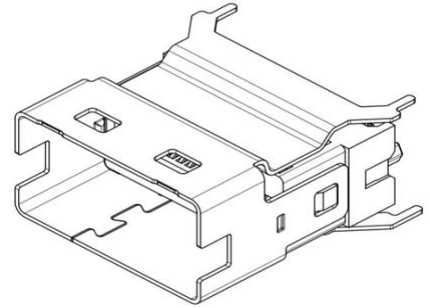
Part Number : [2119663104](#)

Product Description : SlimSAS Receptacle, Vertical, 4x (38 Circuits), 100 Ohm, 0.75um Gold (Au) Plating, 4.20mm Shell Tab Length, Black

Series Number : 211966

Status : Active

Product Category : High-Speed I/O Connectors



Documents & Resources

Drawings


[2119663104_sd.pdf](#)

Specifications

[2119661000-000.pdf](#)

Product Environment Compliance

Compliance

GADSL/IMDS	Not Relevant
China RoHS	 per SJ/T 11365-2006
EU ELV	Compliant per 2000/53/EC
Low-Halogen Status	Low-Halogen per IEC 61249-2-21
REACH SVHC	Not Contained per D(2024)7663-DC (21 Jan 2025)
EU RoHS	Compliant per EU 2015/863

Compliance Statements

- EU RoHS
- REACH SVHC
- Low-Halogen

Industry Documents

- IPC 1752A Class C
- IPC 1752A Class D
- Molex Product Compliance Declaration
- IEC-62474
- chemSHERPA (xml)

Substances of Interest

- PFAS

EU RoHS Certificate of Compliance

Additional Product Compliance Information

Part Details

General

Status	Active
Category	High-Speed I/O Connectors
Series	211966
Description	SlimSAS Receptacle, Vertical, 4x (38 Circuits), 100 Ohm, 0.75um Gold (Au) Plating, 4.20mm Shell Tab Length, Black
Application	Wire-to-Board
Component Type	Receptacle
Product Name	SlimSAS
Type	Pluggable
UPC	193264512058

Electrical

Current - Maximum per Contact	0.5A
Voltage - Maximum	30V AC

Physical

Circuits (Loaded)	38
Circuits (maximum)	38
Color - Resin	Black
Durability (mating cycles max)	250
Gender	Female
Keying to Mating Part	None
Lock to Mating Part	Yes
Material - Metal	Copper Alloy
Material - Plating Mating	Gold
Material - Plating Termination	Matte Tin
Material - Resin	Liquid Crystal Polymer

Net Weight	1.670/g
Number of Rows	2
Orientation	Vertical
Packaging Type	Embossed Tape on Reel
Panel Mount	No
PCB Locator	Yes
PCB Retention	Yes
Pitch - Mating Interface	0.60mm
Pitch - Termination Interface	0.60mm
Plating min - Mating	0.750µm
Polarized to Mating Part	Yes
Polarized to PCB	No
Ports	1
Termination Interface Style	Surface Mount

This document was generated on Oct 02, 2025