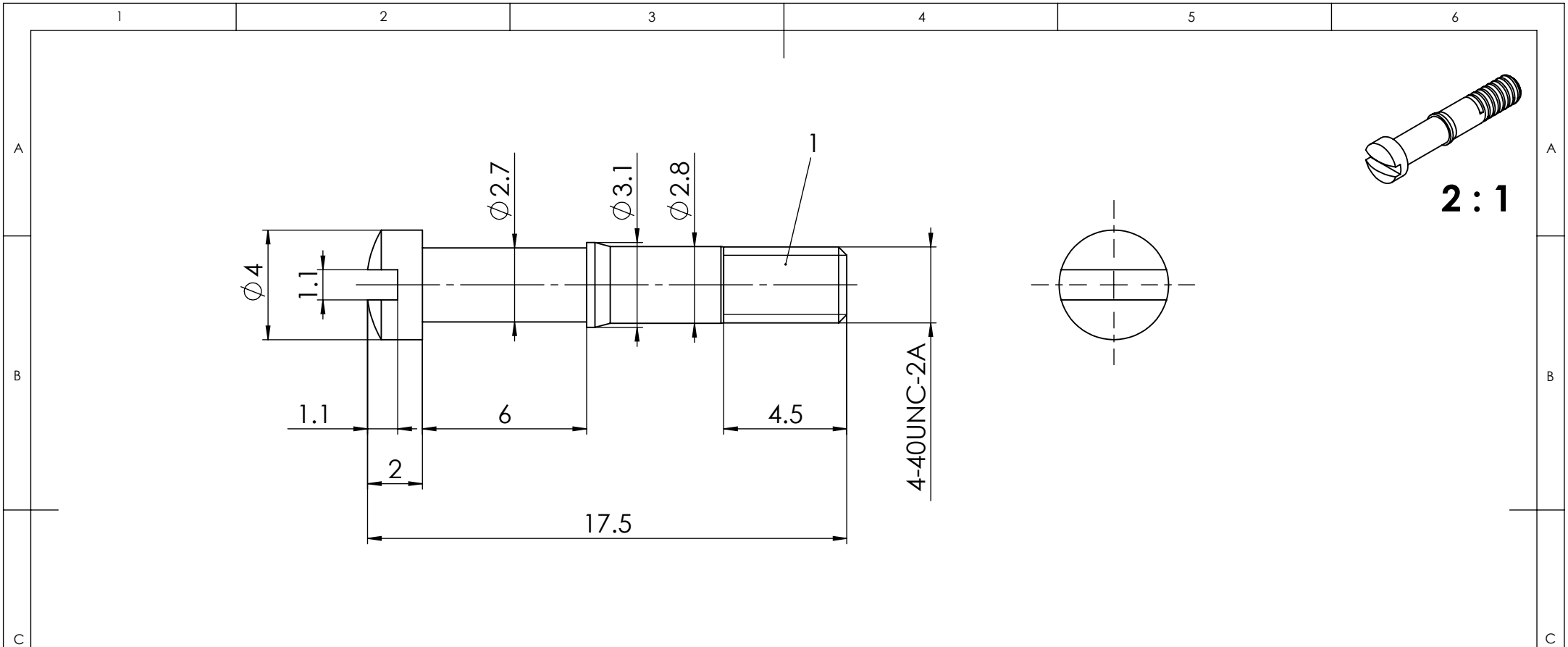


COMMENT:
 ALL RIGHTS ARE RESERVED BY US FOR THIS DRAWING. WITHOUT OUR PRIOR CONSENT,
 IT MAY NEITHER BE DUBLICATED NOR MADE AVAILABLE TO A THIRD PARTY,
 AND IT ALSO MAY NOT BE IMPROPERLY USED BY TE RECEIVER, OR A THIRD PARTY.



1	1	Locking screw	FVS1/5 4-40 / Brass	nickel plated
<i>No.</i>	<i>St.</i>	<i>Part</i>	<i>Type Description/Material</i>	<i>Surface plating/Colour/Class</i>
SYMBOLS THIS DRAWING CONTAINS INFORMATION THAT IS PROPRIETARY TO MOLEX ELECTRONIC TECHNOLOGIES, LLC AND SHOULD NOT BE USED WITHOUT WRITTEN PERMISSION				
$\nabla = 0$ $\nabla = 0$ $\nabla = 0$ $\nabla = 0$ $\blacktriangledown = 0$ $\nabla = 0$ $\boxtimes = 0$ $\blacksquare = 0$ $\nabla = 0$	DIMENSION UNITS	SCALE	MEASUREMENTS WITHOUT TOLERANCE ACC. TO ISO 2768-m	
	mm	2:1		
			CURRENT REVISION	
			DRWN: DRAWN BY	tschneider01 19-06-2019
			APPR: APPR BY	msteinbrueck 19-06-2019
			INITIAL REVISION	
2 24130			DRWN: DRAWN BY	BWittek 03-11-2009
1			APPR: APPR BY	Anke.Meyer-Richter 03-11-2009
REPLACEMENT FOR:		THIRD ANGLE PROJECTION	DRAWING	DOCUMENT NUMBER
			A4-SIZE	FVS1/5
			PRODUCT CUSTOMER DRAWING	
			MATERIAL NUMBER	REVISION
			1731120243	2
			CUSTOMER	SHEET NUMBER
			GENERAL MARKET	1 OF 1