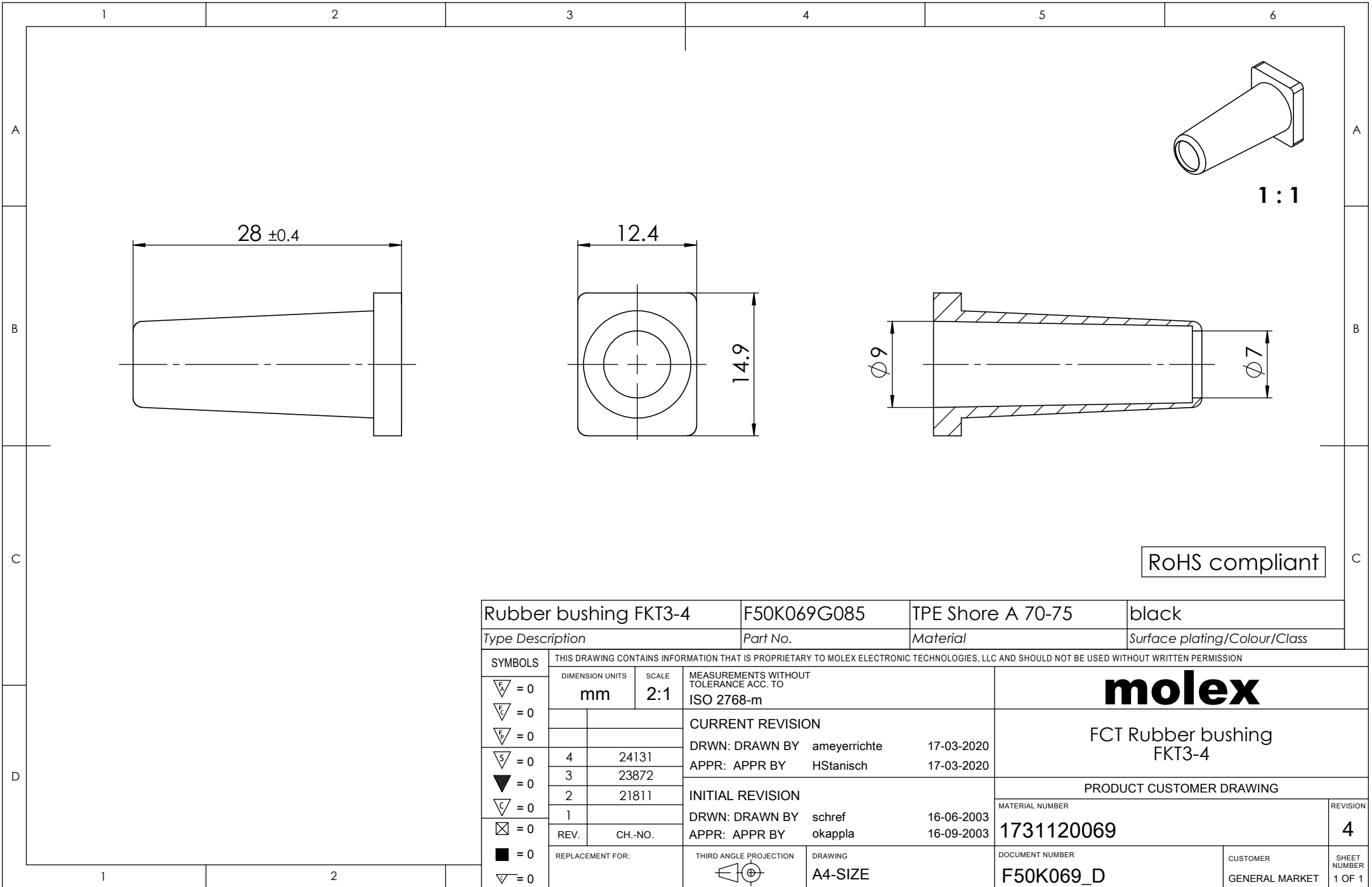


COMMENT:  
 ALL RIGHTS ARE RESERVED BY US FOR THIS DRAWING. WITHOUT OUR PRIOR CONSENT,  
 IT MAY NEITHER BE DUBLICATED NOR MADE AVAILABLE TO A THIRD PARTY,  
 AND IT ALSO MAY NOT BE IMPROPERLY USED BY TE RECEIVER, OR A THIRD PARTY.



Rubber bushing FKT3-4		F50K069G085	TPE Shore A 70-75	black
Type Description		Part No.	Material	Surface plating/Colour/Class
THIS DRAWING CONTAINS INFORMATION THAT IS PROPRIETARY TO MOLEX ELECTRONIC TECHNOLOGIES, LLC AND SHOULD NOT BE USED WITHOUT WRITTEN PERMISSION				
<b>SYMBOLS</b> $\nabla_A = 0$ $\nabla_E = 0$ $\nabla_F = 0$ $\nabla_S = 0$ $\blacktriangledown = 0$ $\nabla_C = 0$ $\boxtimes = 0$ $\blacksquare = 0$ $\nabla = 0$	DIMENSION UNITS	SCALE	MEASUREMENTS WITHOUT TOLERANCE ACC. TO ISO 2768-m	
	mm	2:1	CURRENT REVISION	
			DRWN: DRAWN BY ameyerrichte 17-03-2020	
			APPR: APPR BY HStanisch 17-03-2020	
			INITIAL REVISION	
			DRWN: DRAWN BY schref 16-06-2003	
			APPR: APPR BY okappla 16-09-2003	
REPLACEMENT FOR:		THIRD ANGLE PROJECTION	DRAWING	DOCUMENT NUMBER
			A4-SIZE	F50K069_D
			PRODUCT CUSTOMER DRAWING	REVISION
			MATERIAL NUMBER	4
			1731120069	
			CUSTOMER	SHEET NUMBER
			GENERAL MARKET	1 OF 1