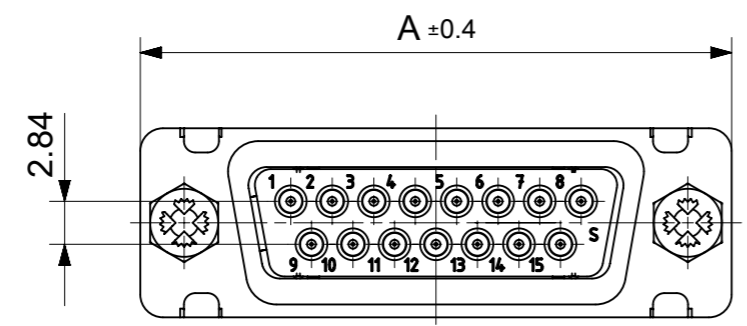
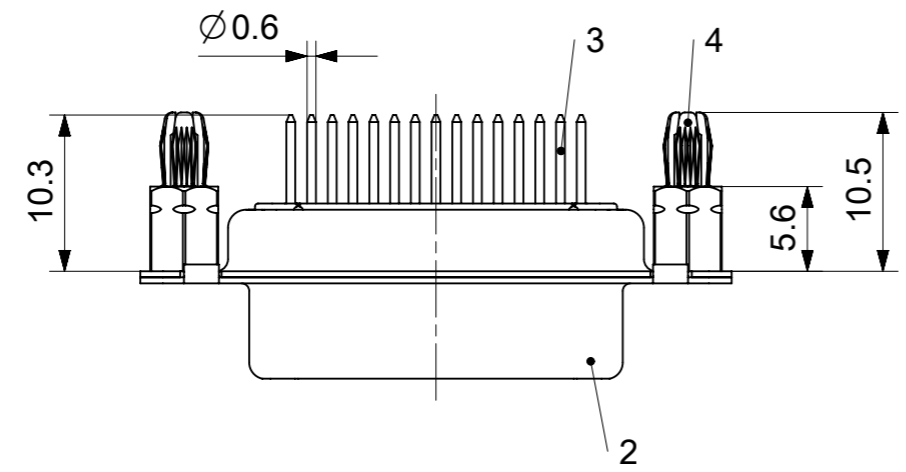
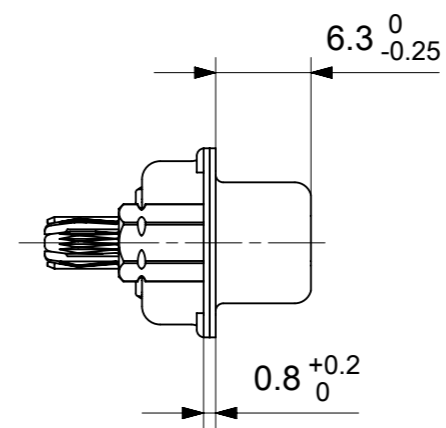
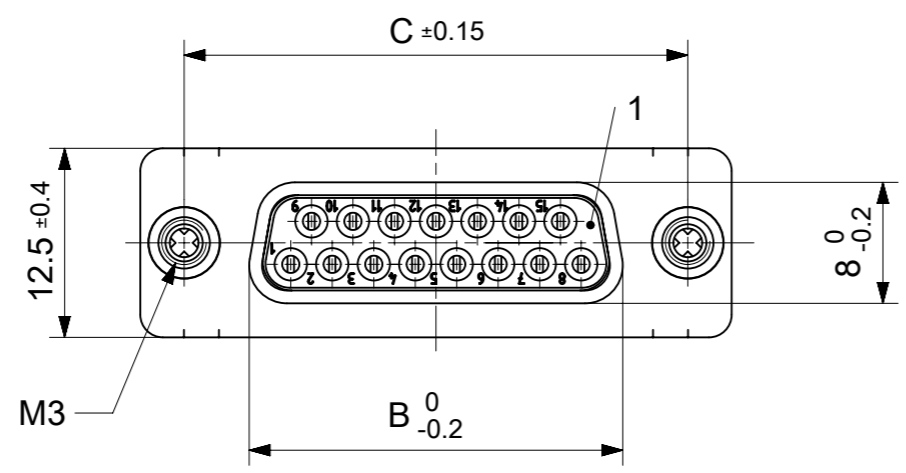


RoHS compliant
by exemption



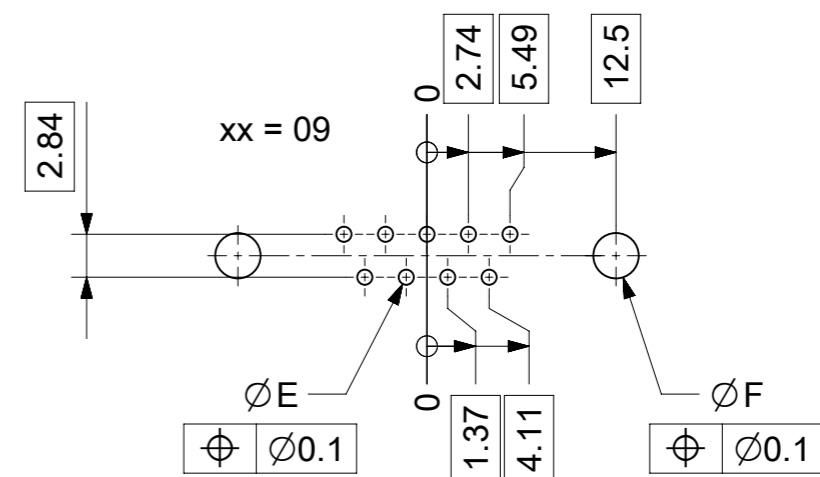
FCT Part number:
FMxx*1)S1-1212
e.g. FM15S1-1212
*1) xx No. of contacts 09, 15, 25 or 37

Material Number	xx*1)	A[mm]	B[mm]	C[mm]	*E[mm]	*F[mm]
1731090506	09	30.8	16.4	25	Ø1	Ø3
1731090507	15	39.1	24.7	33.3		
1731090508	25	53	38.5	47.04		
1731090509	37	69.3	54.9	63.5		

*PCB hole patterns ØE, ØF see document 2195600023

No.	Pc.	Part	Type Description/Material	Surface plating/Color/Class
4	2	Snap-in bolt	PCB 3.2mm / Brass	tin plated
3	xx	Signal contact	S1 / Brass	1.3µm Au
2	1	Shell	Steel	tin plated
1	1	Insulator	PBT (-55°C to +130°C) acc. UL94V-0	green

MEASUREMENTS WITHOUT TOLERANCE ACC TO ISO 2768-m				REPLACEMENT FOR DOCUMENT NUMBER: FMxxS1-1212			
THIS DRAWING CONTAINS INFORMATION THAT IS PROPRIETARY TO MOLEX ELECTRONIC TECHNOLOGIES, LLC AND SHOULD NOT BE USED WITHOUT WRITTEN PERMISSION							
FUNCTIONAL SYMBOLS		DIMENSION UNITS		SCALE		CURRENT REV DESC:	
▽A = 0		mm		2:1		<p>molex</p> <p>FCT D-SUB MINIATURE CONNECTOR</p> <p>PRODUCT CUSTOMER DRAWING</p>	
▽E = 0		GENERAL TOLERANCES (UNLESS SPECIFIED)					
▽F = 0		ANGULAR TOL ± °					
DIVISIONAL SYMBOLS		4 PLACES ±		EC NO: 707726		2021/12/28	
		3 PLACES ±		DRWN: SKANDB		2022/05/25	
		2 PLACES ±		CHK'D: MTEUBEL		2022/05/25	
		1 PLACE ±		APPR: MTEUBEL		INITIAL REVISION:	
		0 PLACES ±		DRWN: SKANDB		2021/12/28	
		DRAFT WHERE APPLICABLE MUST REMAIN WITHIN DIMENSIONS		APPR: MTEUBEL		2022/05/25	
		FIRST ANGLE PROJECTION		DRAWING		SERIES	
		A3-SIZE		173109		DOCUMENT NUMBER	
		SEE TABLE		GENERAL MARKET		DOC TYPE DOC PART REVISION	
		1 OF 1				1731090506 PSD 000 A	



ØE, ØF see data sheet incl. connector
 ØF connectors with accessories only

MEASUREMENTS WITHOUT TOLERANCE ACC TO ISO 2768-m				REPLACEMENT FOR DOCUMENT NUMBER: AM0023			
THIS DRAWING CONTAINS INFORMATION THAT IS PROPRIETARY TO MOLEX ELECTRONIC TECHNOLOGIES, LLC AND SHOULD NOT BE USED WITHOUT WRITTEN PERMISSION							
FUNCTIONAL SYMBOLS	DIMENSION UNITS	SCALE	CURRENT REV DESC:				
$\nabla_A = 0$	mm	2:1	EC NO: 713905				
$\nabla_E = 0$	GENERAL TOLERANCES (UNLESS SPECIFIED)		DRWN: SKANDB 2022/05/16				
$\nabla_P = 0$	ANGULAR TOL ± °		CHK'D: MTEUBEL 2022/07/12				
DIVISIONAL SYMBOLS	4 PLACES ±		APPR: MTEUBEL 2022/07/12				
	3 PLACES ±		INITIAL REVISION:				
	2 PLACES ±		DRWN: SKANDB 2022/05/16				
	1 PLACE ±		APPR: MTEUBEL 2022/07/12				
	0 PLACES ±		DOCUMENT NUMBER: 2195600023				
DRAFT WHERE APPLICABLE MUST REMAIN WITHIN DIMENSIONS		FIRST ANGLE PROJECTION	DRAWING	SERIES	MATERIAL NUMBER	CUSTOMER	DOC TYPE DOC PART REVISION
			A3-SIZE	219560	219560	GENERAL MARKET	PSD 000 A
DOCUMENT STATUS		P1	RELEASE DATE	2022/07/12	08:25:55	SHEET NUMBER	
						1 OF 1	