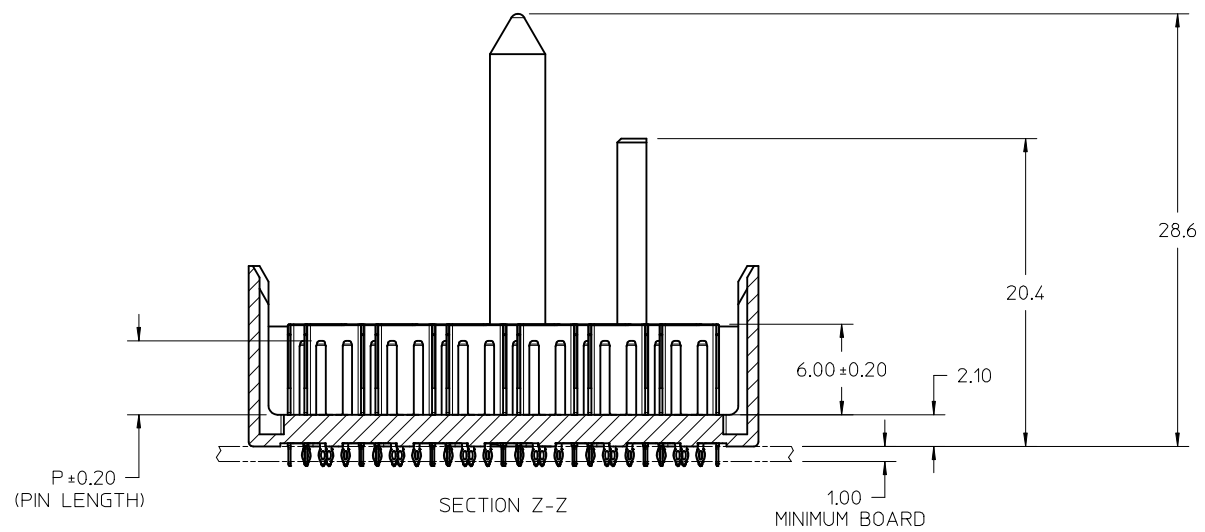
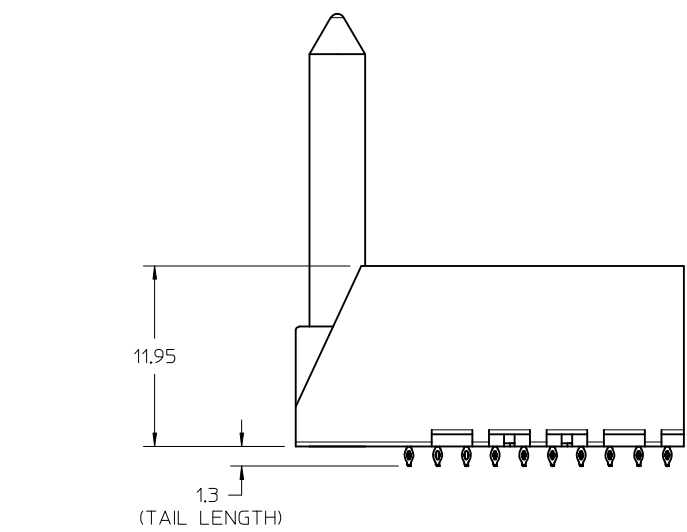


- NOTES:
1. MATERIALS: HOUSING - LIQUID CRYSTAL POLYMER (LCP)  
GLASS-FILLED, UL94V-0  
TERMINALS - HIGH PERFORMANCE COPPER ALLOY
  2. FINISH: 30µIN GOLD IN CONTACT AREA.  
SELECTIVE TIN ON PCB TAILS.  
NICKEL OVERALL.
  3. REFER TO MOLEX PRODUCT SPECIFICATION PS-171320-999 FOR PERFORMANCE SPECIFICATIONS.
  4. THIS PART CONFORMS TO CLASS B REQUIREMENTS OF MOLEX COSMETIC SPEC PS-45499-002.
  5. PRODUCT WILL BE PACKAGED PER PK-78888-087.
  6. SEE SHEETS 2, 3, AND 4 FOR HOLE PATTERN AND MATED PART DIMENSIONS.
  7. MATES WITH IMPEL DC SERIES NUMBER 171400.
  8. REFER TO IMPEL PCB ROUTING GUIDE AS-171320-990 FOR ANTIPAD, ROUTING RECOMMENDATIONS, AND ADDITIONAL PCB INFORMATION.
  9. WHEN STACKING MODULES END TO END, THE MINIMUM COLUMN TO COLUMN SPACING IS 2.65mm.
  10. THE KEEP-OUT ZONE FOR THE BP HOUSING LENGTH INCLUDES THE NECESSARY SPACE REQUIRED FOR THE MATING DAUGHTERCARD HOUSING.
  11. PART IS SUPPLIED WITH ONE 2-56 UNC-2A SCREW (MOLEX P/N 73774-1000).



<b>GD&amp;T UPDATE</b> EC NO: UCP2016-1379 DRWN:WLEEE01 CHKD:CYLJAW APPR:SHLENI 2015/10/01 2015/10/12	QUALITY SYMBOLS ∇=0 ∇=0 ∇=0	GENERAL TOLERANCES (UNLESS SPECIFIED)		DIMENSION STYLE <b>MM ONLY</b>	SCALE <b>4:1</b>	DESIGN UNITS <b>METRIC</b>	THIRD ANGLE PROJECTION	
		4 PLACES ± --- ± ---	DRAWN BY JLAURX	DATE 2012/01/19	TITLE <b>IMPEL 6 PAIR BACKPLANE GUIDE LEFT ASSEMBLY SALES DRAWING</b> <b>molex</b>			
		3 PLACES ± --- ± ---	CHECKED BY	DATE				
		2 PLACES ± 0.13 ± ---	APPROVED BY JLAURX	DATE 2012/11/27	MATERIAL NO. <b>SEE CHART</b>	DOCUMENT NO. <b>SD-171395-0002</b>	SHEET NO. 1 OF 4	
1 PLACE ± 0.25 ± ---	ANGULAR ±1/2°		DRAFT WHERE APPLICABLE MUST REMAIN WITHIN DIMENSIONS					
0 PLACE ± ±	SIZE C		THIS DRAWING CONTAINS INFORMATION THAT IS PROPRIETARY TO MOLEX INCORPORATED AND SHOULD NOT BE USED WITHOUT WRITTEN PERMISSION					

MATERIAL NUMBER	NUMBER OF COLUMNS	NUMBER OF DIFF PAIR	DIM "A"	DIM "B"	DIM "C"	DIM "P"	PTH $\phi$
171395-38*4	8	48	21.90	13.30	1.10	4.90	0.46±0.05
171395-38*5	8	48	21.90	13.30	1.10	5.50	0.46±0.05
171395-38*7	8	48	21.90	13.30	1.20	4.90	0.36±0.05
171395-38*8	8	48	21.90	13.30	1.20	5.50	0.36±0.05
171395-31*4	10	60	25.70	17.10	1.10	4.90	0.46±0.05
171395-31*5	10	60	25.70	17.10	1.10	5.50	0.46±0.05
171395-31*7	10	60	25.70	17.10	1.20	4.90	0.36±0.05
171395-31*8	10	60	25.70	17.10	1.20	5.50	0.36±0.05
171395-36*4	16	96	37.10	28.50	1.10	4.90	0.46±0.05
171395-36*5	16	96	37.10	28.50	1.10	5.50	0.46±0.05
171395-36*7	16	96	37.10	28.50	1.20	4.90	0.36±0.05
171395-36*8	16	96	37.10	28.50	1.20	5.50	0.36±0.05

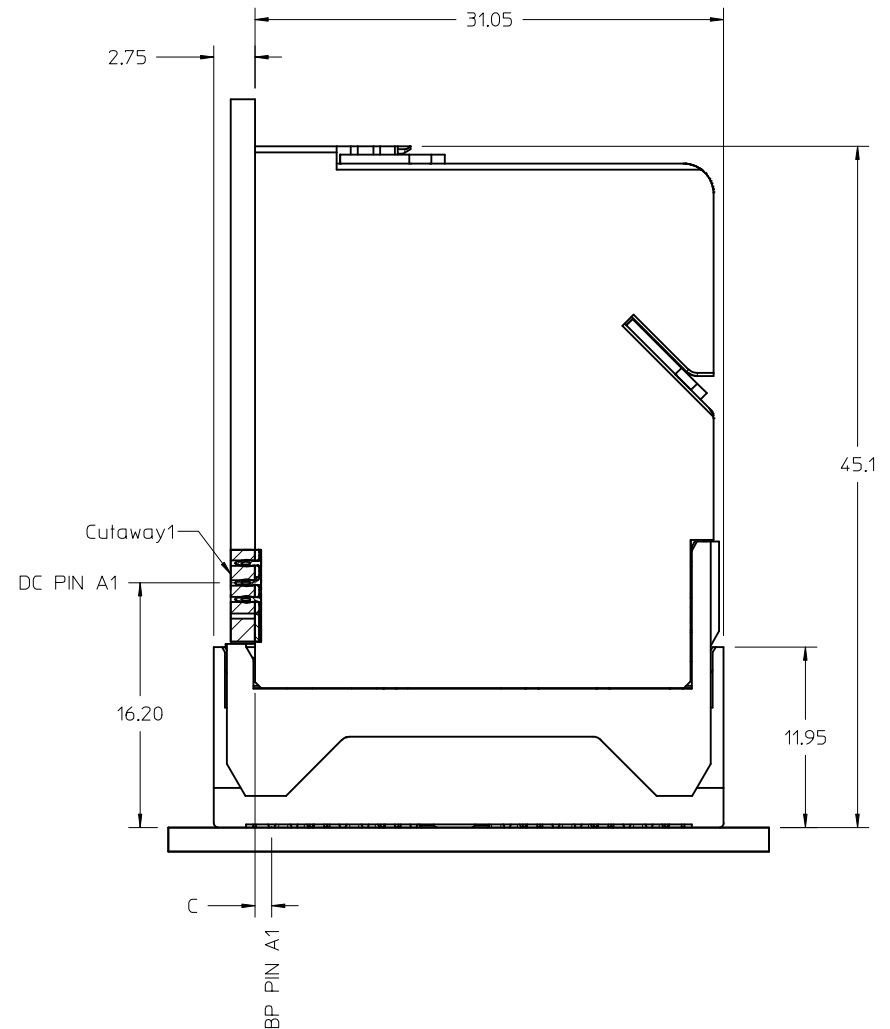
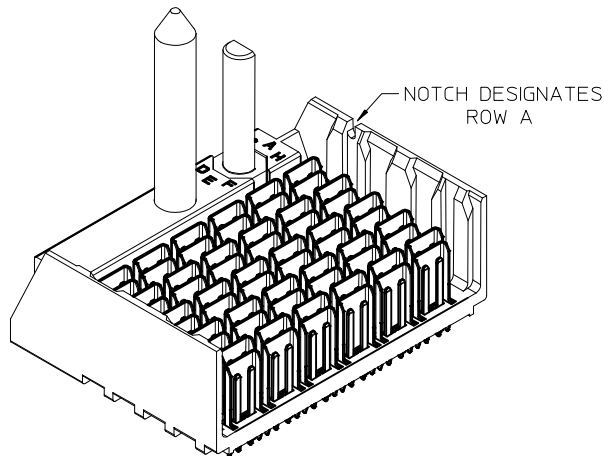
171395-3\*\*\*

MODULE TYPE  
3 = GUIDE LEFT

# OF COLUMNS  
8 = 8 COL  
1 = 10 COL  
6 = 16 COL

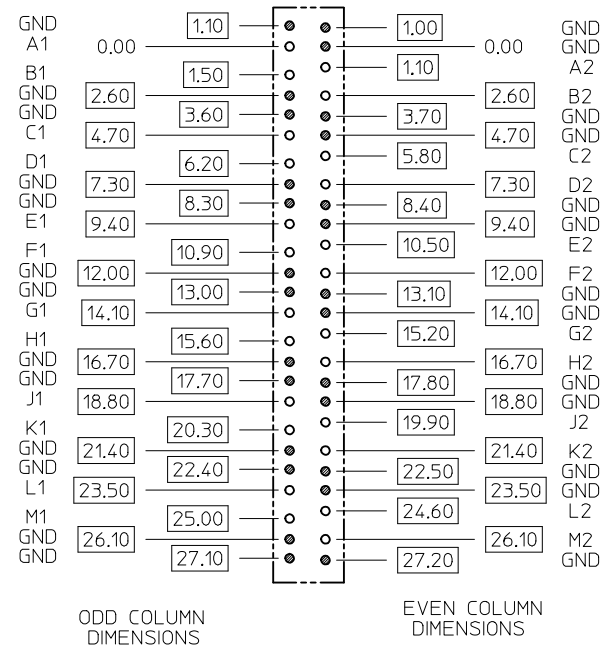
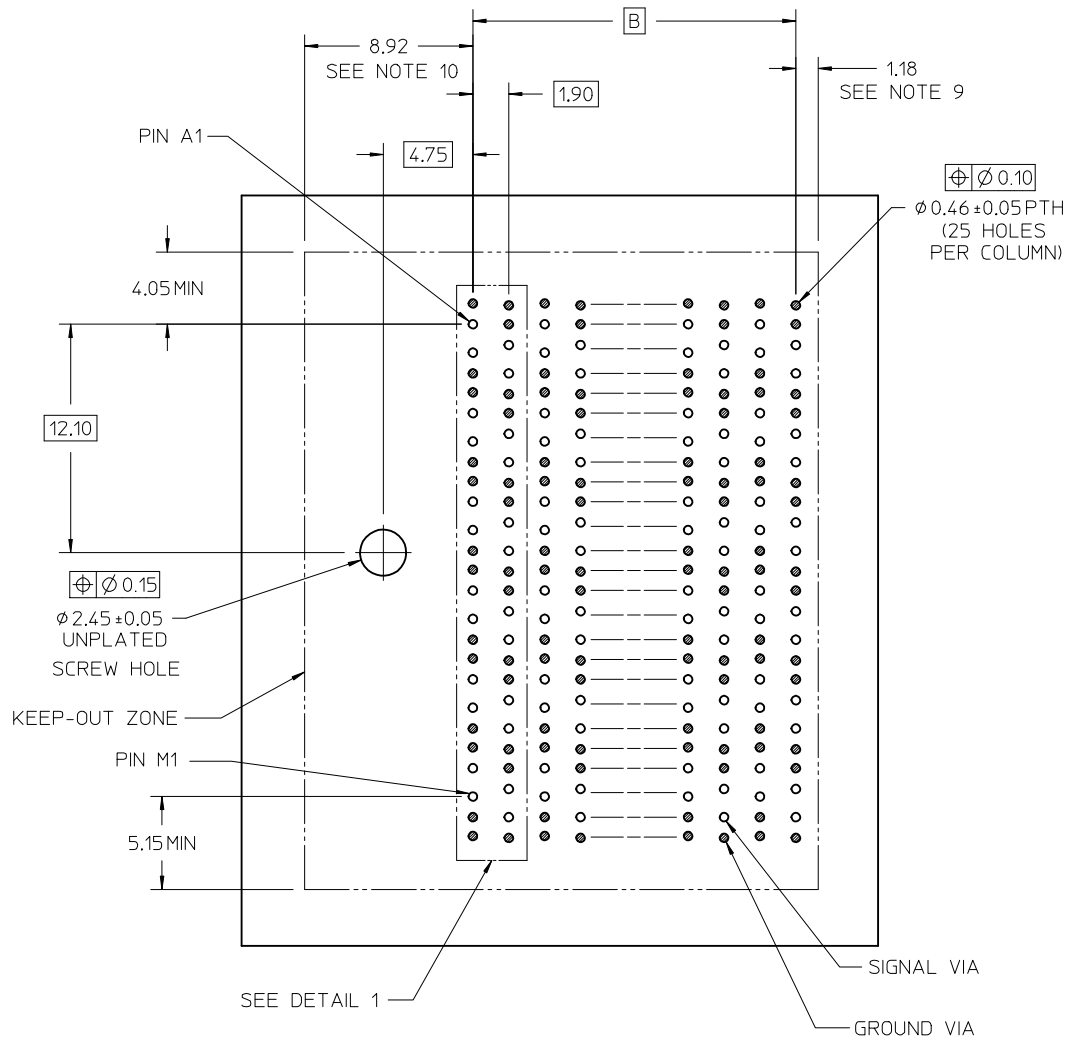
KEY ORIENTATION  
0 = NO KEY  
1 = A 5 = E  
2 = B 6 = F  
3 = C 7 = G  
4 = D 8 = H

PIN LENGTH (P)  
4 = 4.90 (0.46 PTH)  
5 = 5.50 (0.46 PTH)  
7 = 4.90 (0.36 PTH)  
8 = 5.50 (0.36 PTH)



MATED PART DIMENSIONS

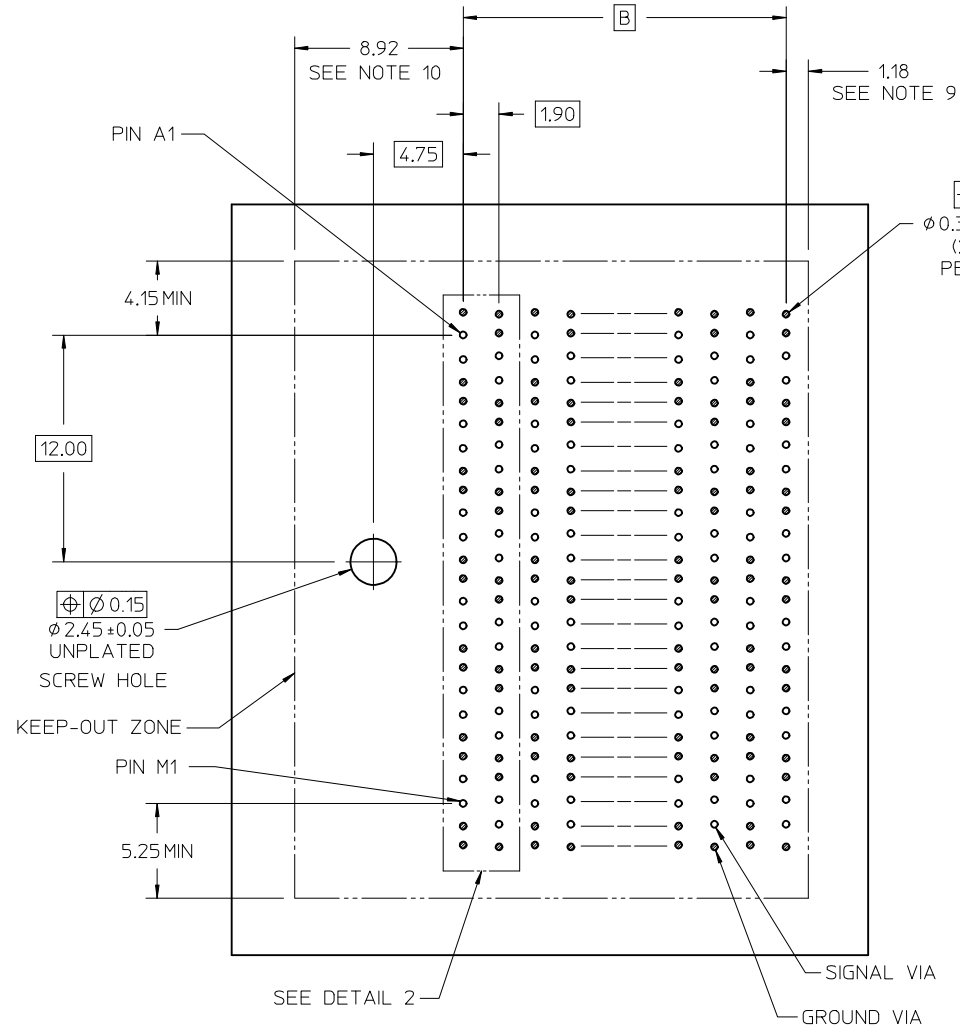
<b>SEE SHEET 1</b> EC NO: UCP2016-1379 DRWNO: MLE01 CHKD: CYL JAW APPR: SLENI 2015/10/01 2015/10/12	QUALITY SYMBOLS 	GENERAL TOLERANCES (UNLESS SPECIFIED) <table border="1"> <thead> <tr> <th></th> <th>mm</th> <th>INCH</th> </tr> </thead> <tbody> <tr> <td>4 PLACES</td> <td>± 0.13</td> <td>± 0.005</td> </tr> <tr> <td>3 PLACES</td> <td>± 0.25</td> <td>± 0.010</td> </tr> <tr> <td>2 PLACES</td> <td>± 0.38</td> <td>± 0.015</td> </tr> <tr> <td>1 PLACE</td> <td>± 0.51</td> <td>± 0.020</td> </tr> <tr> <td>0 PLACE</td> <td>± 0.64</td> <td>± 0.025</td> </tr> </tbody> </table>		mm	INCH	4 PLACES	± 0.13	± 0.005	3 PLACES	± 0.25	± 0.010	2 PLACES	± 0.38	± 0.015	1 PLACE	± 0.51	± 0.020	0 PLACE	± 0.64	± 0.025	DIMENSION STYLE <b>MM ONLY</b> DRAWN BY: JLAURX DATE: 2012/01/19 CHECKED BY: _____ DATE: _____ APPROVED BY: JLAURX DATE: 2012/11/27	SCALE: 4:1 DESIGN UNITS: METRIC THIRD ANGLE PROJECTION	TITLE: IMPEL 6 PAIR BACKPLANE GUIDE LEFT ASSEMBLY SALES DRAWING <b>molex</b> DOCUMENT NO. SD-171395-0002 SHEET NO. 2 OF 4
		mm	INCH																				
	4 PLACES	± 0.13	± 0.005																				
	3 PLACES	± 0.25	± 0.010																				
2 PLACES	± 0.38	± 0.015																					
1 PLACE	± 0.51	± 0.020																					
0 PLACE	± 0.64	± 0.025																					
DRAFT WHERE APPLICABLE MUST REMAIN WITHIN DIMENSIONS	MATERIAL NO. SEE CHART SIZE C	THIS DRAWING CONTAINS INFORMATION THAT IS PROPRIETARY TO MOLEX INCORPORATED AND SHOULD NOT BE USED WITHOUT WRITTEN PERMISSION																					



BACKPLANE HOLE PATTERN  
FOR Ø0.46 PTH  
(CONNECTOR SIDE)

DETAIL 1  
SCALE 5:1

SEE SHEET 1 IEC NO: UCP2016-1379 DRWN:DMLEE01 2015/10/01 CHKD:CYLIAM APPR:SHLENI 2015/10/12 REV B4	QUALITY SYMBOLS	GENERAL TOLERANCES (UNLESS SPECIFIED)	DIMENSION STYLE	SCALE	DESIGN UNITS	THIRD ANGLE PROJECTION
	▽=0	mm INCH	MM ONLY	5:1	METRIC	
	▽=0	4 PLACES ± --- ± ---	DRAWN BY DATE			
	▽=0	3 PLACES ± --- ± ---	JLAURX 2012/01/19			
	2 PLACES ± 0.13 ± ---	CHECKED BY DATE				IMPEL 6 PAIR BACKPLANE GUIDE LEFT ASSEMBLY SALES DRAWING <b>molex</b>
	1 PLACE ± 0.25 ± ---	APPROVED BY DATE				
	0 PLACE ± ±	JLAURX 2012/11/27				MATERIAL NO. <b>SEE CHART</b>
		ANGULAR ±1/2°				DOCUMENT NO. SD-171395-0002
		DRAFT WHERE APPLICABLE MUST REMAIN WITHIN DIMENSIONS				SHEET NO. 3 OF 4
			SIZE C	THIS DRAWING CONTAINS INFORMATION THAT IS PROPRIETARY TO MOLEX INCORPORATED AND SHOULD NOT BE USED WITHOUT WRITTEN PERMISSION		



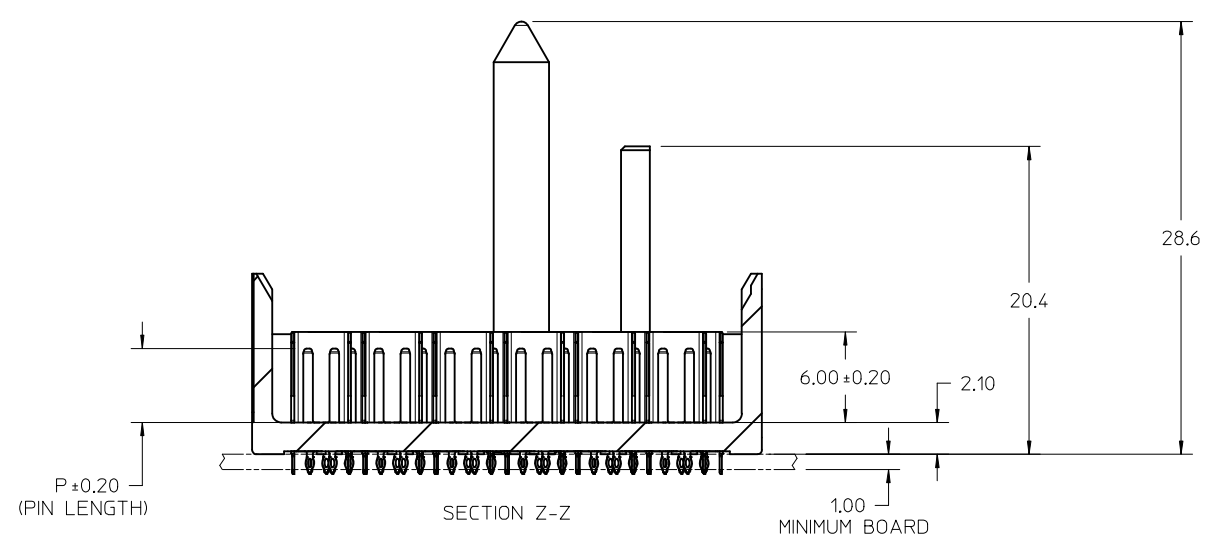
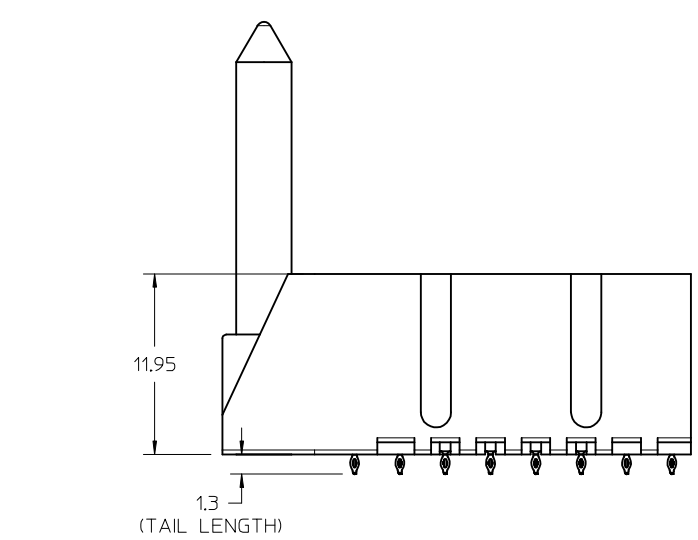
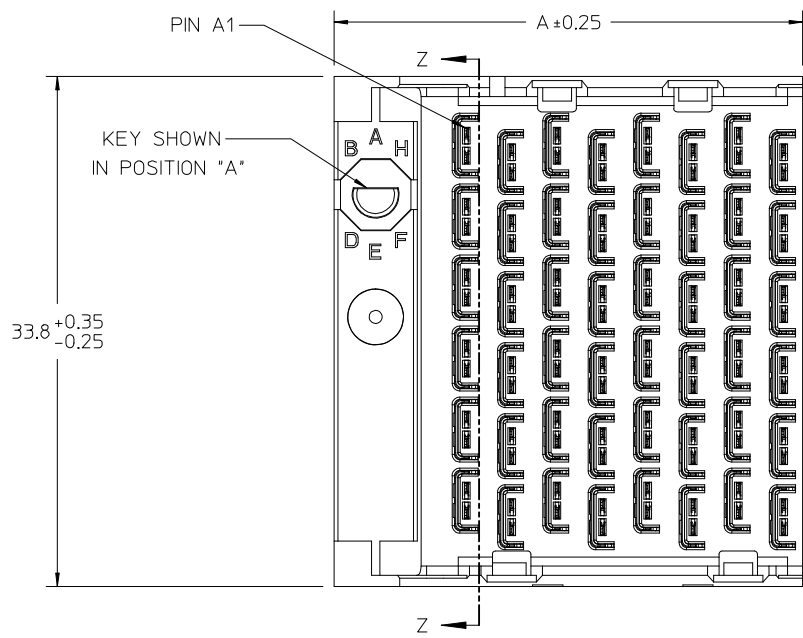
GND	0.00	1.20	1.10	0.10	GND
A1					GND
B1		1.30	1.10		A2
GND	2.50			2.40	B2
GND		3.50	3.60		GND
C1	4.70			4.60	GND
D1		6.00	5.80		C2
GND	7.20			7.10	D2
GND		8.20	8.30		GND
E1	9.40			9.30	GND
F1		10.70	10.50		E2
GND	11.90			11.80	F2
GND		12.90	13.00		GND
G1	14.10			14.00	GND
H1		15.40	15.20		G2
GND	16.60			16.50	H2
GND		17.60	17.70		GND
J1	18.80			18.70	GND
K1		20.10	19.90		J2
GND	21.30			21.20	K2
GND		22.30	22.40		GND
L1	23.50			23.40	GND
M1		24.80	24.60		L2
GND	26.00			25.90	M2
GND		27.00	27.10		GND

ODD COLUMN DIMENSIONS      EVEN COLUMN DIMENSIONS

DETAIL 2  
SCALE 5:1

BACKPLANE HOLE PATTERN  
FOR Ø0.36 PTH  
(CONNECTOR SIDE)

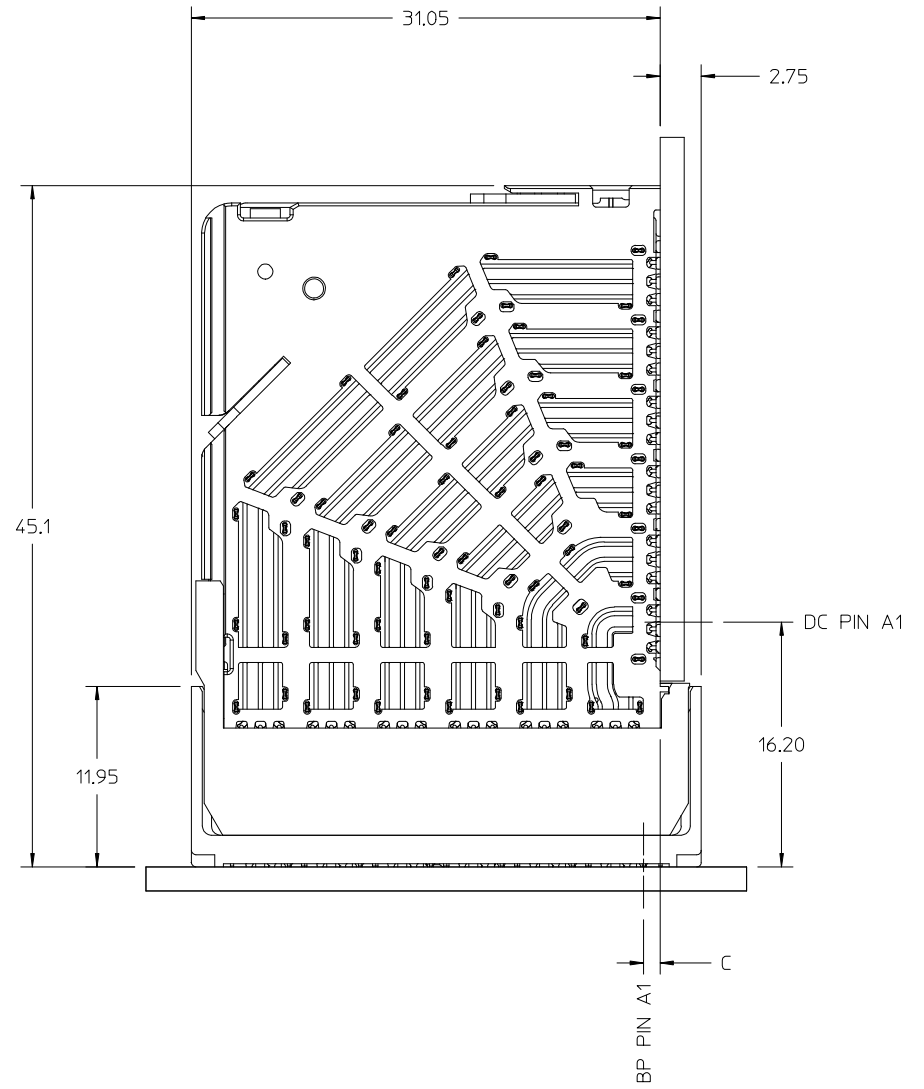
SEE SHEET 1 EC NO: UCP2016-1379 DRWING: MLEE01 2015/10/01 CHKD: CYLIAM APPR: SILENI 2015/10/12	QUALITY SYMBOLS	GENERAL TOLERANCES (UNLESS SPECIFIED)	DIMENSION STYLE <b>MM ONLY</b>	SCALE <b>5:1</b>	DESIGN UNITS <b>METRIC</b>	THIRD ANGLE PROJECTION
	▽=0	4 PLACES ± --- ± ---	DRAWN BY DATE JLAURX 2012/01/19	TITLE <b>IMPEL 6 PAIR BACKPLANE GUIDE LEFT ASSEMBLY SALES DRAWING</b>		
	▽=0	3 PLACES ± --- ± ---	CHECKED BY DATE	<b>molex</b> DOCUMENT NO. SD-171395-0002 SHEET NO. 4 OF 4		
	▽=0	2 PLACES ± 0.13 ± ---	APPROVED BY DATE JLAURX 2012/11/27			
REV	DESCRIPTION	1 PLACE ± 0.25 ± ---	MATERIAL NO.	THIS DRAWING CONTAINS INFORMATION THAT IS PROPRIETARY TO MOLEX INCORPORATED AND SHOULD NOT BE USED WITHOUT WRITTEN PERMISSION		
B4		0 PLACE ± ±	SIZE C			
		ANGULAR ±1/2°	DRAFT WHERE APPLICABLE MUST REMAIN WITHIN DIMENSIONS			



- NOTES:
1. MATERIALS: HOUSING - LIQUID CRYSTAL POLYMER (LCP) GLASS-FILLED, UL94V-0  
TERMINALS - HIGH PERFORMANCE COPPER ALLOY
  2. FINISH: 30µIN GOLD IN CONTACT AREA.  
SELECTIVE TIN ON PCB TAILS.  
NICKEL OVERALL.
  3. REFER TO MOLEX PRODUCT SPECIFICATION PS-171320-999 FOR PERFORMANCE SPECIFICATIONS.
  4. THIS PART CONFORMS TO CLASS B REQUIREMENTS OF MOLEX COSMETIC SPEC PS-45499-002.
  5. PRODUCT WILL BE PACKAGED PER PK-78888-087.
  6. SEE SHEETS 2, 3, AND 4 FOR HOLE PATTERN AND MATED PART DIMENSIONS.
  7. MATES WITH IMPEL DC SERIES NUMBER 171760.
  8. REFER TO IMPEL PCB ROUTING GUIDE AS-171320-990 FOR ANTIPAD, ROUTING RECOMMENDATIONS, AND ADDITIONAL PCB INFORMATION.
  9. THE KEEP-OUT ZONE FOR THE BP HOUSING LENGTH INCLUDES THE NECESSARY SPACE REQUIRED FOR THE MATING DAUGHTERCARD HOUSING.
  10. PART IS SUPPLIED WITH ONE 2-56 UNC-2A SCREW (MOLEX P/N 73774-1000).

<b>ADD P/N TO NOTE 11</b> EC NO: UCP2016-1552 DRWN:PREMO 2015/10/09 CHKD:LAURX 2015/10/09 APPR:LAURX 2015/10/16	QUALITY SYMBOLS ∇=0 ∇=0 ∇=0	GENERAL TOLERANCES (UNLESS SPECIFIED)		DIMENSION STYLE <b>MM ONLY</b>		SCALE <b>4:1</b>	DESIGN UNITS METRIC	THIRD ANGLE PROJECTION		
		4 PLACES ± --- ± ---	3 PLACES ± --- ± ---	DRAWN BY B JANOWIAK	DATE 2013/03/25	TITLE <b>IMPEL 6 PAIR BACKPLANE                  3MM PITCH ASSEMBLY                  GUIDE LEFT SALES DRAWING</b>				
		2 PLACES ± 0.13 ± ---	1 PLACE ± 0.25 ± ---	CHECKED BY	DATE					
		0 PLACE ± ±	ANGULAR ±1/2°		APPROVED BY J LAURX	DATE 2014/03/24	DOCUMENT NO. <b>SD-171755-0002</b>			
DRAFT WHERE APPLICABLE MUST REMAIN WITHIN DIMENSIONS		MATERIAL NO. <b>SEE CHART</b>	SHEET NO. 1 OF 4							

MATERIAL NUMBER	NUMBER OF COLUMNS	NUMBER OF DIFF PAIR	DIM "A"	DIM "B"	DIM "C"	DIM "P"	PTH $\phi$
171755-38*4	8	48	31.00	21.00	1.10	4.90	0.46±0.05
171755-38*5	8	48	31.00	21.00	1.10	5.50	0.46±0.05
171755-38*7	8	48	31.00	21.00	1.20	4.90	0.36±0.05
171755-38*8	8	48	31.00	21.00	1.20	5.50	0.36±0.05
171755-32*4	12	72	43.00	33.00	1.10	4.90	0.46±0.05
171755-32*5	12	72	43.00	33.00	1.10	5.50	0.46±0.05
171755-32*7	12	72	43.00	33.00	1.20	4.90	0.36±0.05
171755-32*8	12	72	43.00	33.00	1.20	5.50	0.36±0.05



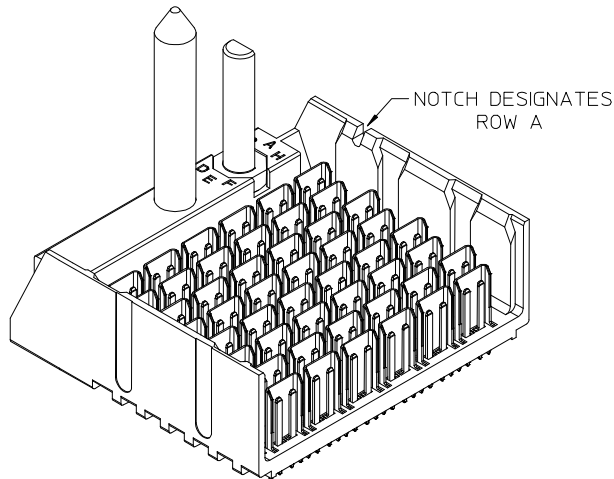
171755-3\*\*\*

MODULE TYPE  
3 = GUIDE LEFT

# OF COLUMNS  
8 = 8 COL  
2 = 12 COL

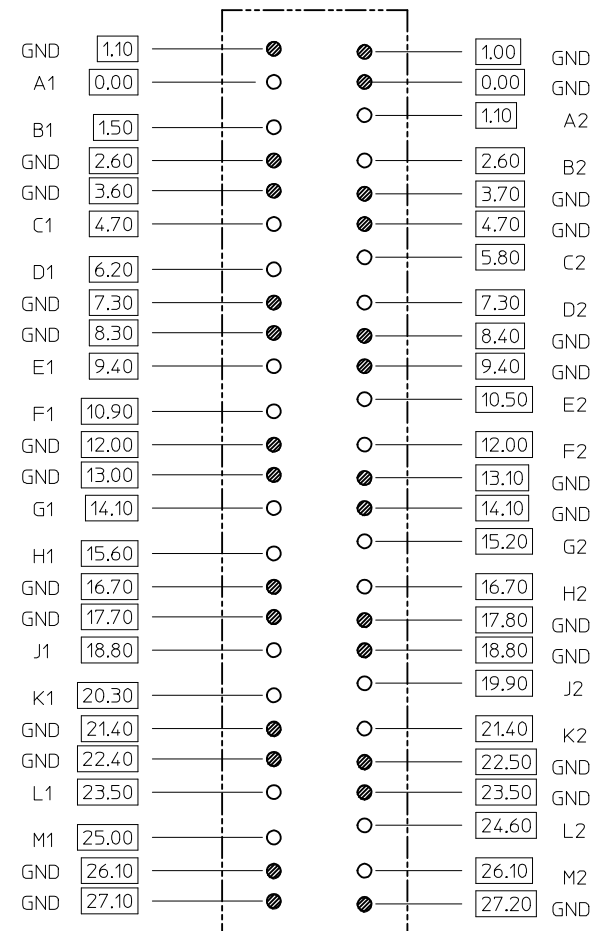
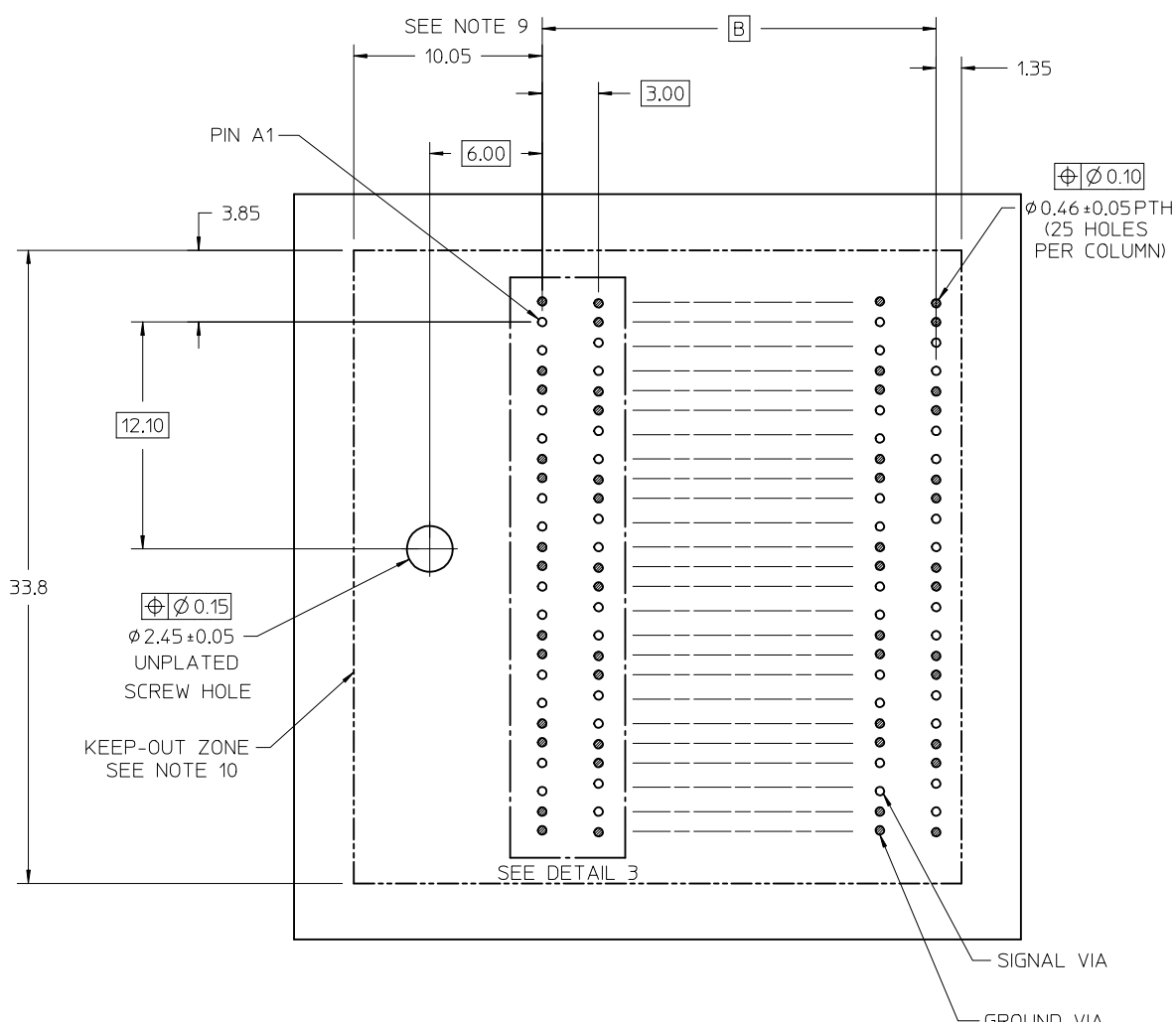
PIN LENGTH (P)  
4 = 4.90 (0.46 PTH)  
5 = 5.50 (0.46 PTH)  
7 = 4.90 (0.36 PTH)  
8 = 5.50 (0.36 PTH)

KEY ORIENTATION  
0 = NO KEY  
1 = A 5 = E  
2 = B 6 = F  
3 = C 7 = G  
4 = D 8 = H



MATED PART DIMENSIONS

<b>SEE SHEET 1</b> EC NO: UCP2016-1552 DRWN:PREMO 2015/10/09 CHKD:JLAURX 2015/10/09 APPR:JLAURX 2015/10/16 REV: A1	QUALITY SYMBOLS $\nabla = 0$ $\nabla = 0$ $\nabla = 0$	GENERAL TOLERANCES (UNLESS SPECIFIED) <table border="1"> <thead> <tr> <th></th> <th>mm</th> <th>INCH</th> </tr> </thead> <tbody> <tr> <td>4 PLACES</td> <td>± ---</td> <td>± ---</td> </tr> <tr> <td>3 PLACES</td> <td>± ---</td> <td>± ---</td> </tr> <tr> <td>2 PLACES</td> <td>± 0.13</td> <td>± ---</td> </tr> <tr> <td>1 PLACE</td> <td>± 0.25</td> <td>± ---</td> </tr> <tr> <td>0 PLACE</td> <td>±</td> <td>±</td> </tr> </tbody> </table>		mm	INCH	4 PLACES	± ---	± ---	3 PLACES	± ---	± ---	2 PLACES	± 0.13	± ---	1 PLACE	± 0.25	± ---	0 PLACE	±	±	DIMENSION STYLE <b>MM ONLY</b> DRAWN BY: B JANOWIAK DATE: 2013/03/25 CHECKED BY: _____ DATE: _____ APPROVED BY: J LAURX DATE: 2014/03/24	SCALE: 4:1 DESIGN UNITS: METRIC THIRD ANGLE PROJECTION	TITLE: IMPEL 6 PAIR BACKPLANE 3MM PITCH ASSEMBLY GUIDE LEFT SALES DRAWING <b>molex</b>	SHEET NO. 2 OF 4
		mm	INCH																					
	4 PLACES	± ---	± ---																					
	3 PLACES	± ---	± ---																					
2 PLACES	± 0.13	± ---																						
1 PLACE	± 0.25	± ---																						
0 PLACE	±	±																						
DRAFT WHERE APPLICABLE MUST REMAIN WITHIN DIMENSIONS	MATERIAL NO. SEE CHART DOCUMENT NO. SD-171755-0002	THIS DRAWING CONTAINS INFORMATION THAT IS PROPRIETARY TO MOLEX INCORPORATED AND SHOULD NOT BE USED WITHOUT WRITTEN PERMISSION																						



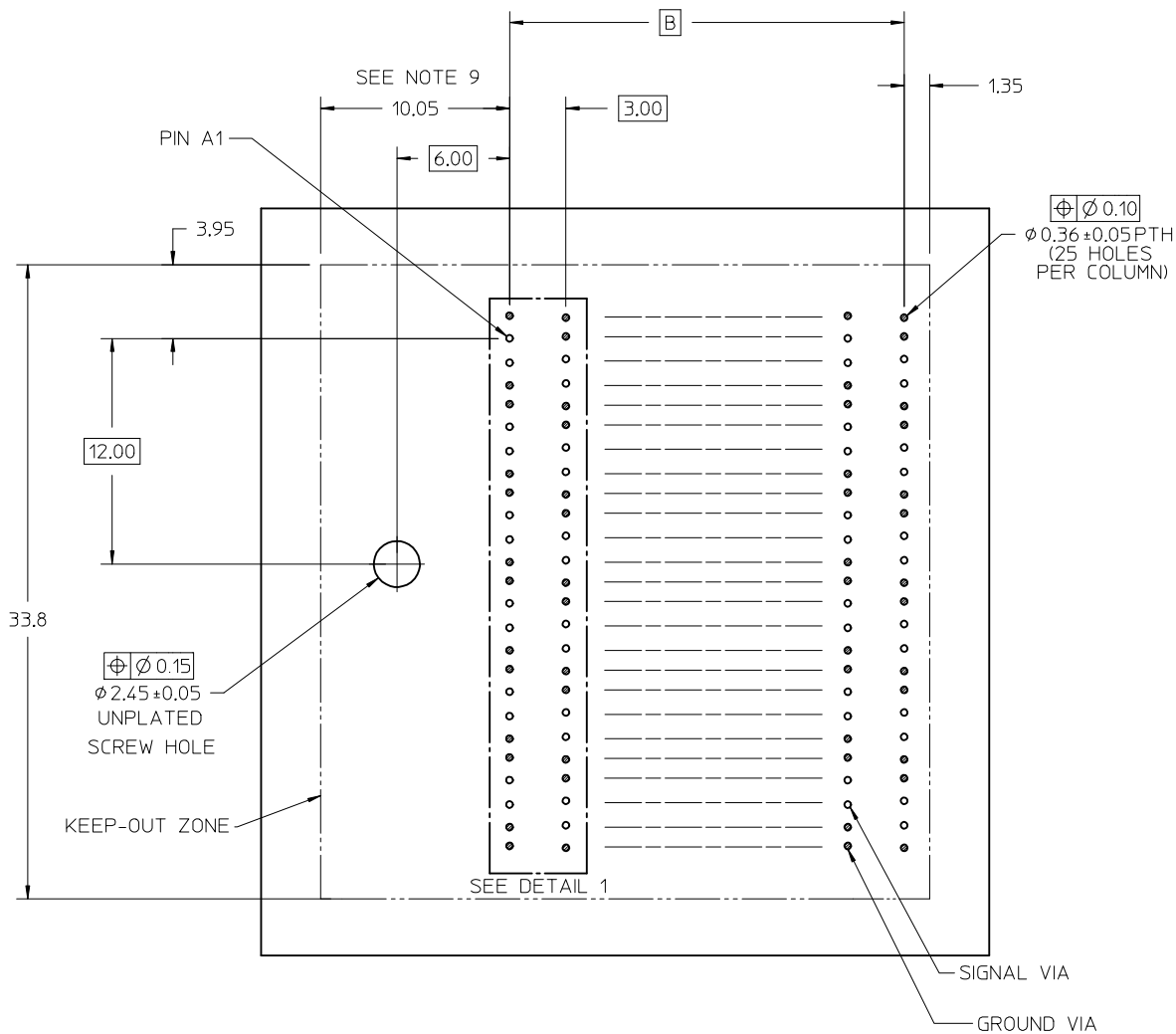
BACKPLANE HOLE PATTERN  
FOR  $\phi 0.46$  PTH  
(CONNECTOR SIDE)

ODD COLUMN  
DIMENSIONS

EVEN COLUMN  
DIMENSIONS

DETAIL 3  
SCALE 8:1

<b>SEE SHEET 1</b> IEC NO: UCP2016-1552 DRWN:PREMO CHKD:LAURX APPR:LAURX	QUALITY SYMBOLS $\nabla=0$ $\nabla=0$ $\nabla=0$	GENERAL TOLERANCES (UNLESS SPECIFIED)		DIMENSION STYLE		SCALE	DESIGN UNITS	THIRD ANGLE PROJECTION			
				MM ONLY		5:1	METRIC				
				mm	INCH	DRAWN BY	DATE	TITLE			
				4 PLACES $\pm$ ---	$\pm$ ---	BJANOWIAK	2013/03/25	IMPEL 6 PAIR BACKPLANE 3MM PITCH ASSEMBLY GUIDE LEFT SALES DRAWING			
REV <b>A1</b>	DESCRIPTION <b>DESCRIPTION</b>			CHECKED BY	DATE	<b>molex</b> DOCUMENT NO. SD-171755-0002 SHEET NO. 3 OF 4					
				APPROVED BY	DATE						
				ANGULAR $\pm 1/2^\circ$		MATERIAL NO.		THIS DRAWING CONTAINS INFORMATION THAT IS PROPRIETARY TO MOLEX INCORPORATED AND SHOULD NOT BE USED WITHOUT WRITTEN PERMISSION			
				DRAFT WHERE APPLICABLE MUST REMAIN WITHIN DIMENSIONS		SEE CHART					



GND	1.20	●	●	1.10	GND
A1	0.00	○	●	0.10	GND
B1	1.30	○	○	1.10	A2
GND	2.50	●	○	2.40	B2
GND	3.50	●	●	3.60	GND
C1	4.70	○	●	4.60	GND
D1	6.00	○	○	5.80	C2
GND	7.20	●	○	7.10	D2
GND	8.20	●	●	8.30	GND
E1	9.40	○	●	9.30	GND
F1	10.70	○	○	10.50	E2
GND	11.90	●	○	11.80	F2
GND	12.90	●	●	13.00	GND
G1	14.10	○	●	14.00	GND
H1	15.40	○	○	15.20	G2
GND	16.60	●	○	16.50	H2
GND	17.60	●	●	17.70	GND
J1	18.80	○	●	18.70	GND
K1	20.10	○	○	19.90	J2
GND	21.30	●	○	21.20	K2
GND	22.30	●	●	22.40	GND
L1	23.50	○	●	23.40	GND
M1	24.80	○	○	24.60	L2
GND	26.00	●	○	25.90	M2
GND	27.00	●	●	27.10	GND

ODD COLUMN DIMENSIONS

EVEN COLUMN DIMENSIONS

BACKPLANE HOLE PATTERN  
FOR  $\phi 0.36$  PTH  
(CONNECTOR SIDE)

DETAIL 1  
SCALE 8:1

<b>SEE SHEET 1</b> EC NO: UCP2016-1552 DRWN:TPREMO 2015/10/09 CHKD:JLAURX 2015/10/09 APPR:JLAURX 2015/10/16	QUALITY SYMBOLS	GENERAL TOLERANCES (UNLESS SPECIFIED)		DIMENSION STYLE <b>MM ONLY</b>		SCALE 5:1	DESIGN UNITS METRIC	THIRD ANGLE PROJECTION		
	$\nabla = 0$	mm	INCH	DRAWN BY	DATE	TITLE				
	$\nabla = 0$	4 PLACES $\pm$ ---	$\pm$ ---	BJANOWIAK	2013/03/25	IMPEL 6 PAIR BACKPLANE 3MM PITCH ASSEMBLY GUIDE LEFT SALES DRAWING				
	$\nabla = 0$	3 PLACES $\pm$ ---	$\pm$ ---	CHECKED BY	DATE	<b>molex</b> DOCUMENT NO. SD-171755-0002 SHEET NO. 4 OF 4				
	2 PLACES $\pm 0.13$	$\pm$ ---	APPROVED BY	DATE						
	1 PLACE $\pm 0.25$	$\pm$ ---	JLAURX	2014/03/24	MATERIAL NO. SEE CHART DRAFT WHERE APPLICABLE MUST REMAIN WITHIN DIMENSIONS					
	0 PLACE $\pm$	$\pm$	THIS DRAWING CONTAINS INFORMATION THAT IS PROPRIETARY TO MOLEX INCORPORATED AND SHOULD NOT BE USED WITHOUT WRITTEN PERMISSION							