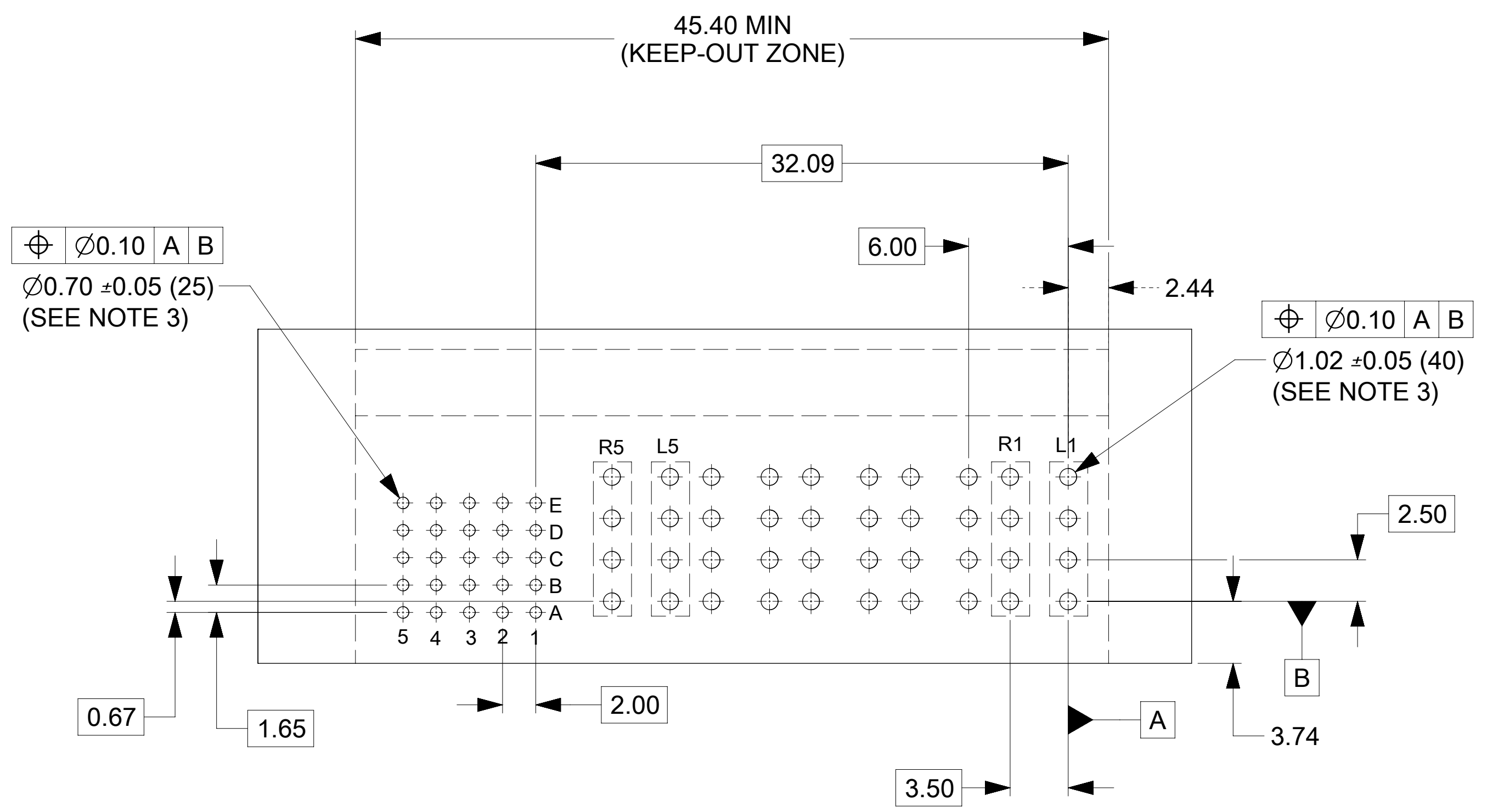
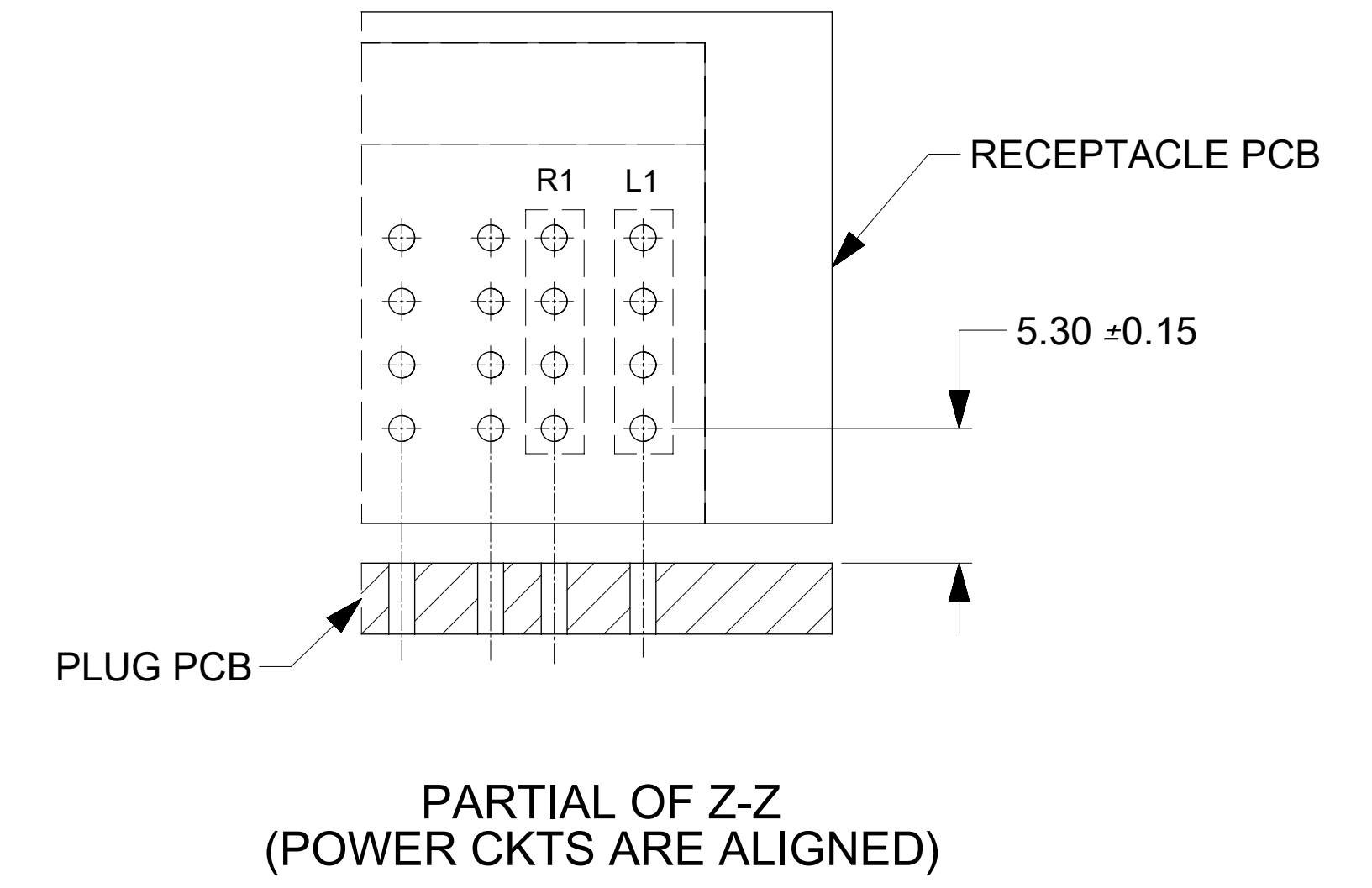
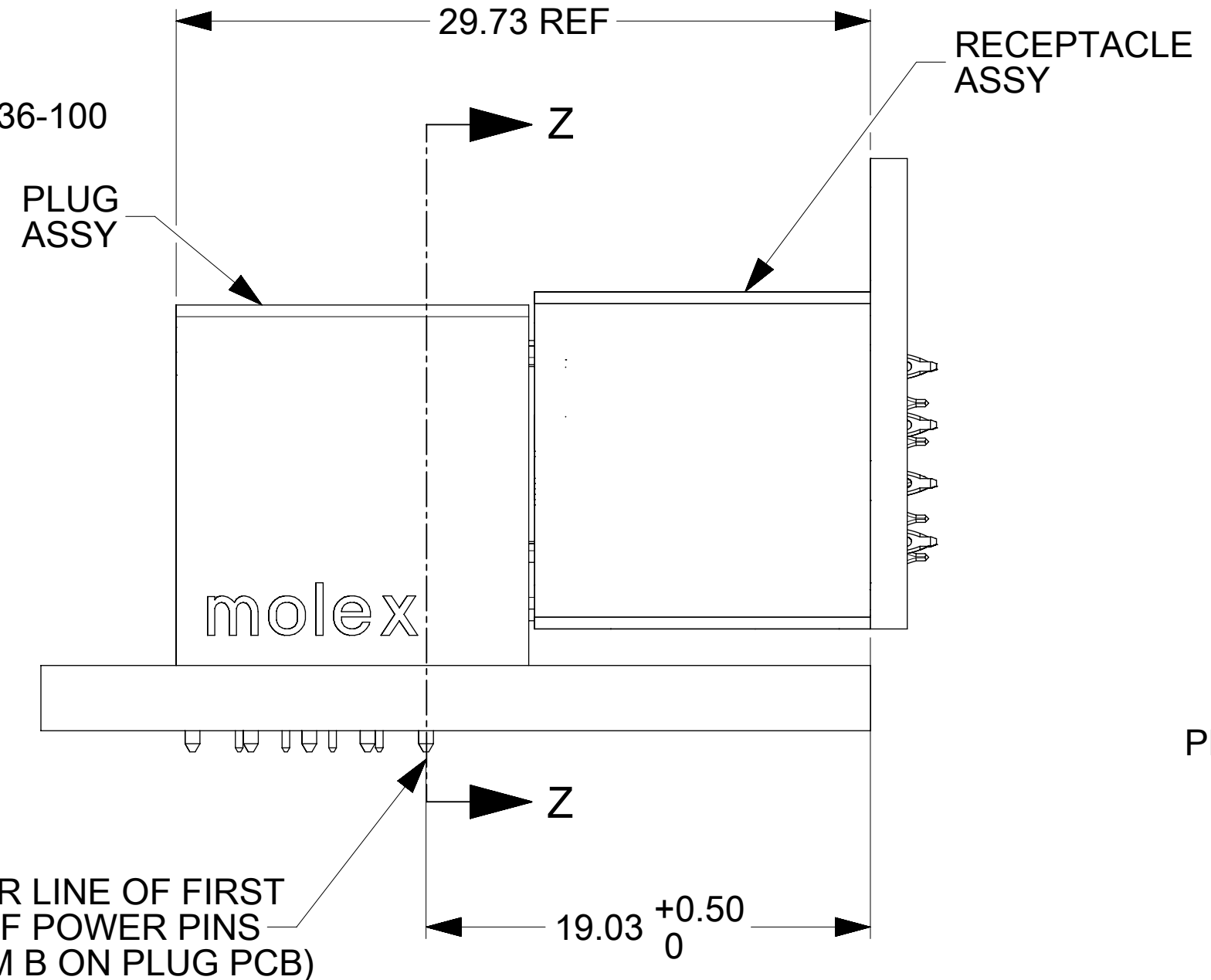
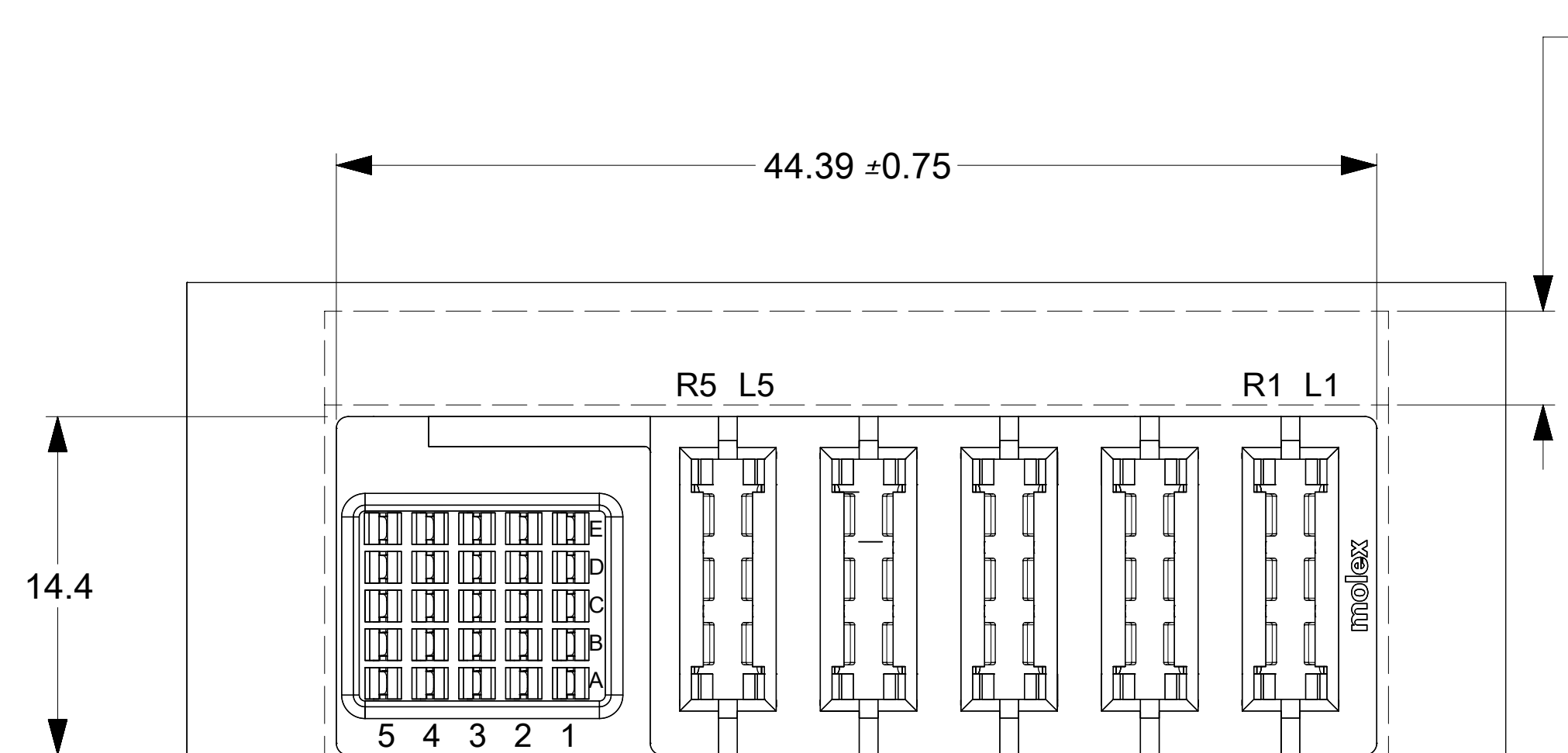
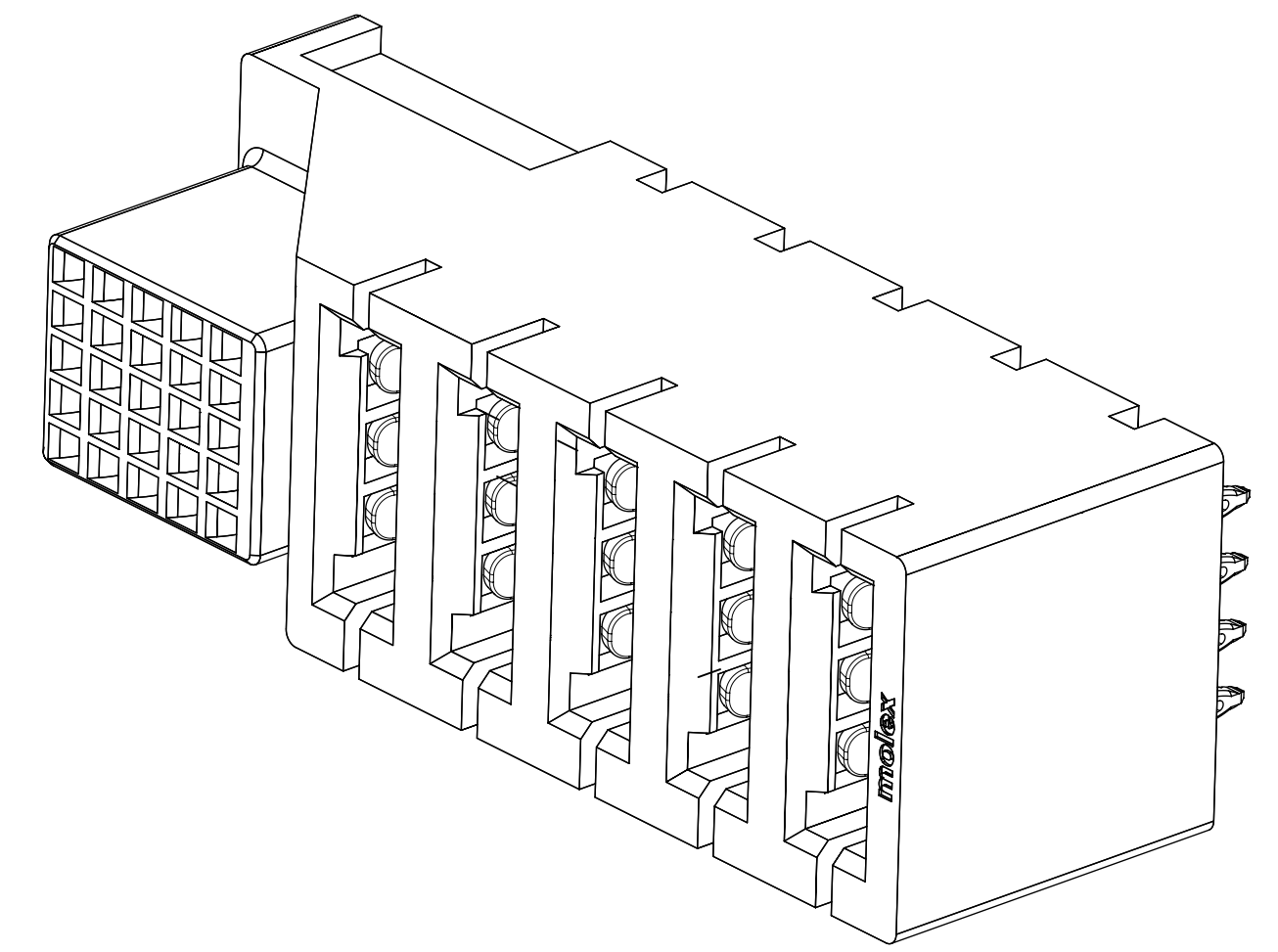
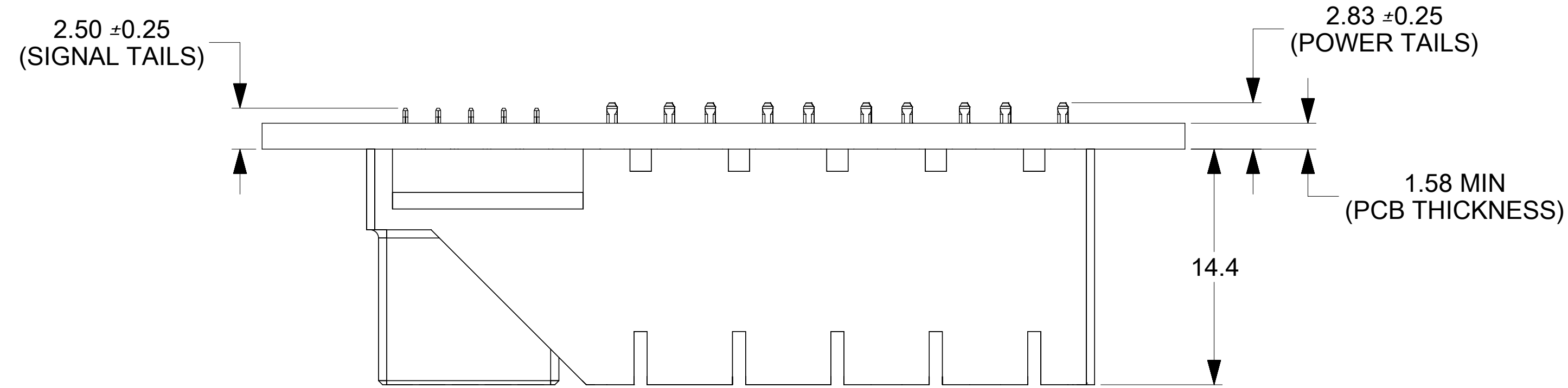


- NOTES:**
- MATERIAL:**
 - HOUSINGS: LCP UL94, V-0, COLOR : BLACK
 - TERMINALS: HIGH CONDUCTIVITY COPPER ALLOY
 - PLATING: 1.27 MICROMETER (50 MICROINCH) NICKEL OVERALL WITH 2.54 MICROMETER (100 MICROINCH) SELECTIVE TIN ON TAILS AND 0.762 MICROMETER (30 MICROINCH) SELECTIVE GOLD ON CONTACT AREA
 - PACKAGING:** ASSEMBLIES TO BE TRAY PACKED PER PACKAGING SPEC: RPK-171088-1000
 - PLATED THRU HOLE SIZE,** REFER TO PS-171088-0000 FOR DETAILS
 - PRODUCT SPEC:** PS-171088-0000
 - PRODUCT TO MEET RoHS REQUIREMENTS**
 - ASSEMBLY MATES TO MOLEX RECEPTACLE ASSEMBLY P/N 171089-1000**
 - TAIL DESIGN:** SOLDER TAIL
 - SIGNAL CONTACTS ARE LUBRICATED.**

THIS DRAWING CONTAINS INFORMATION THAT IS PROPRIETARY TO MOLEX ELECTRONIC TECHNOLOGIES, LLC AND SHOULD NOT BE USED WITHOUT WRITTEN PERMISSION											
DIMENSION UNITS		SCALE		CURRENT REV DESC: PKG DETAILS ADDED							
MM		4:1		molex R/A RISER PLUG ASSY 5SP-25S TEN60 SP POWER FAMILY PRODUCT CUSTOMER DRAWING							
GENERAL TOLERANCES (UNLESS SPECIFIED)											
		MM	INCH								
4 PLACES	±	±									
3 PLACES	±	±									
2 PLACES	±	0.13	±	EC NO: 615522 DRWN: VNANDAM 2018/09/25 CHK'D: YVENKATESWAR 2019/04/12 APPR: HTHYAGARAJ 2019/05/06							
1 PLACE	±	0.25	±	INITIAL REVISION: DRWN: BPISZCZOR 2013/02/27 APPR: APATEL 2014/03/17							
0 PLACES	±	±	±	ANGULAR TOL ± 0.5°							
DRAFT WHERE APPLICABLE MUST REMAIN WITHIN DIMENSIONS		THIRD ANGLE PROJECTION		DRAWING		SERIES		MATERIAL NUMBER		CUSTOMER	
		D-SIZE		171088		171088-1000		GENERAL MARKET		SHEET NUMBER	
										1 OF 1	



- NOTES:**
- MATERIAL:**
 - HOUSINGS: LCP UL94, V-0, COLOR: BLACK
 - TERMINALS: COPPER ALLOY
 - PLATING: 1.27 MICROMETER (50 MICROINCH) NICKEL OVERALL WITH 2.54 MICROMETER (100 MICROINCH) SELECTIVE TIN ON TAILS AND 0.762 MICROMETER (30 MICROINCH) SELECTIVE GOLD ON CONTACT AREA
 - PACKAGING:** ASSEMBLIES TO BE TRAY PACKED PER PACKAGING SPEC: RPK-171089-1000
 - PLATED THRU HOLE SIZE,** REFER TO PS-171088-0000 FOR DETAILS
 - PRODUCT SPEC:** PS-171088-0000
 - APPLICATION SPEC:** AS-46436-100
 - PRODUCT TO MEET** RoHS REQUIREMENTS
 - ASSEMBLY MATES TO** MOLEX PLUG ASSEMBLY P/N 171088-1000
 - TAIL DESIGN:** COMPLIANT PIN
 - POWER AND SIGNAL CONTACTS** ARE LUBRICATED

SYMBOLS		THIS DRAWING CONTAINS INFORMATION THAT IS PROPRIETARY TO MOLEX ELECTRONIC TECHNOLOGIES, LLC AND SHOULD NOT BE USED WITHOUT WRITTEN PERMISSION	
▽ = 0	DIMENSION UNITS	SCALE	CURRENT REV DESC: PKG DETAILS ADDED
▽ = 0	MM	4:1	
▽ = 0	GENERAL TOLERANCES (UNLESS SPECIFIED)		
▽ = 0		MM	INCH
▽ = 0	4 PLACES	±	±
▽ = 0	3 PLACES	±	±
▽ = 0	2 PLACES	±	±
▽ = 0	1 PLACE	±	±
▽ = 0	0 PLACES	±	±
▽ = 0	ANGULAR TOL	±	0.5°
▽ = 0	DRAFT WHERE APPLICABLE MUST REMAIN WITHIN DIMENSIONS		THIRD ANGLE PROJECTION
▽ = 0			DRAWING SERIES
		D-SIZE	171089
DOCUMENT STATUS		P1	RELEASE DATE
2019/05/06		07:17:25	
EC NO: 615522		DRWN: VNANDAM	2018/09/25
CHK'D: YVENKATESWAR		2019/04/12	
APPR: HTHYAGARAJ		2019/05/06	
INITIAL REVISION:		DRWN: BPISZCZOR	2013/02/28
		APPR: APATEL	2014/03/17
DOCUMENT NUMBER		DOC TYPE	DOC PART
SD-171089-1000		PSD	001
REVISION		B1	
MATERIAL NUMBER		CUSTOMER	SHEET NUMBER
171089-1000		GENERAL MARKET	1 OF 1

RECOMMENDED PCB LAYOUT AND KEEP-OUT ZONE