

PLEASE CHECK WWW.MOLEX.COM FOR LATEST PART INFORMATION

Part Number: **0433351002**
Status: **Active**
Overview: Flat Blade
Description: 7.50mm Pitch, Flat Blade Appliance Receptacle Housing, Single Row, 2 Circuits, Nylon PA66, UL 94V-2, Black with TPA

Documents:

[3D Model](#) [Packaging Specification PK-43335-001-001 \(PDF\)](#)
[Drawing \(PDF\)](#) [RoHS Certificate of Compliance \(PDF\)](#)
[Product Specification PSX-43335-9999 \(PDF\)](#)

Agency Certification

CSA LR19980
 UL E29179

General

Product Family Crimp Housings
 Series [43335](#)
 Application Power, Wire-to-Wire
 Comments Glow Wire Equivalent Part Number [43335-2002](#)
 Overview [Flat Blade](#)
 Product Name Flat Blade
 UPC 800753851108

Physical

Breakaway No
 Circuits (maximum) 2
 Color - Resin Natural
 Flammability 94V-2
 Gender Receptacle
 Glow-Wire Compliant No
 Keying to Mating Part None
 Lock to Mating Part Yes
 Material - Resin Nylon
 Net Weight 1.651/g
 Number of Rows 1
 Packaging Type Bag
 Panel Mount No
 Pitch - Mating Interface 7.50mm
 Pitch - Termination Interface 7.50mm
 Polarized to Mating Part Yes
 Ports 1
 Stackable No
 Temperature Range - Operating -40°C to +75°C

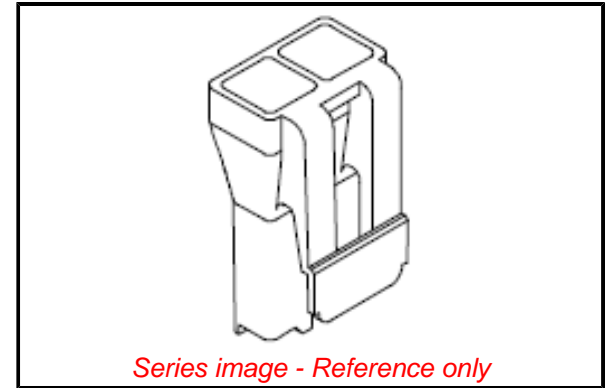
Solder Process Data

Lead-freeProcess Capability N/A

Material Info

Reference - Drawing Numbers

Packaging Specification PK-43335-001-001
 Product Specification PSX-43335-9999
 Sales Drawing SD-43335-*002



EU ELV

Not Relevant

EU RoHS

Compliant

REACH SVHC

Not Contained Per -
 ED/30/2017 (7 July
 2017)

Halogen-Free

Status

Low-Halogen

**Need more information on product
 environmental compliance?**

Email productcompliance@molex.com
 Please visit the [Contact Us](#) section for any
 non-product compliance questions.

China ROHS

ELV

RoHS Phthalates

Green Image

Not Relevant

Not Contained

Search Parts in this Series

[43335 Series](#)

Mates With

[43180 Flat Blade Plug Housing](#)

Use With

[43375 Female Terminals](#)

PLEASE CHECK WWW.MOLEX.COM FOR LATEST PART INFORMATION