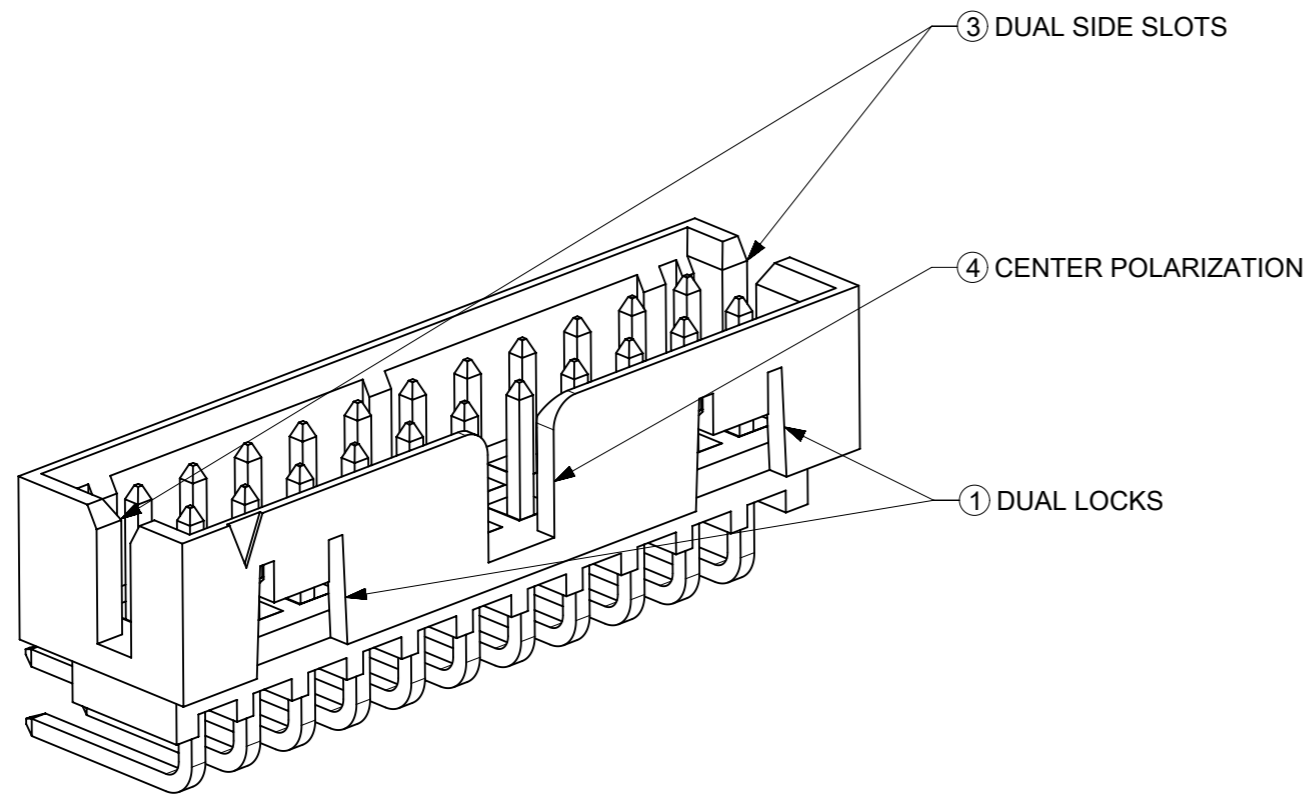
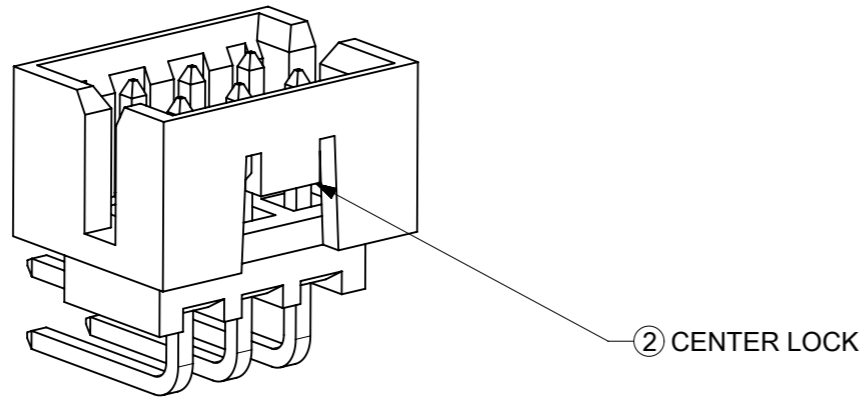


# FEATURES SELECTION GUIDE

CIRCUIT SIZE	FEATURES				SHEET NO
	FRICTION LOCKS		③ DUAL SIDE SLOTS	④ CENTER POLARIZATION	
	① DUAL	② CENTER			
4 TO 6	N.A	N.A	YES	N.A	2 - 3
	N.A	YES	YES	N.A	
8 TO 12	N.A	N.A	YES	YES	4 - 5
	N.A	YES	YES	N.A	
14 TO 50	YES	N.A	YES	YES	6 - 9
	N.A	N.A	YES	YES	



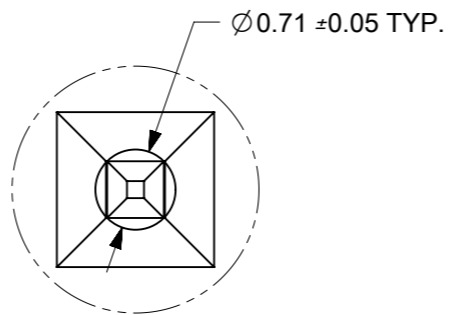
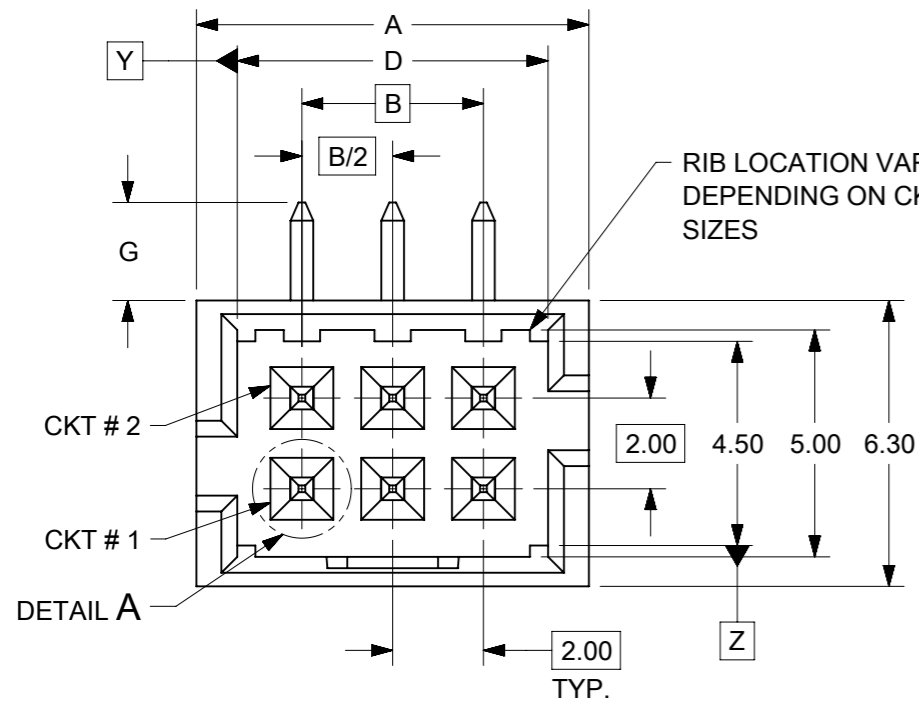
## PACKAGING SPECIFICATION TABLE

TAPE AND REEL PACKAGING	PK-87831-300
TUBE STANDARD PACKAGING	PK-87831-001
TUBE NON-STANDARD PACKAGING FOR: 87833-0861 87833-1420	PK-87831-002

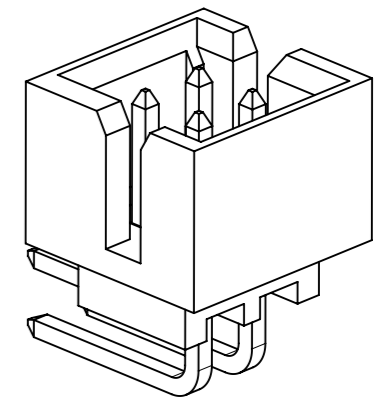
THIS DRAWING CONTAINS INFORMATION THAT IS PROPRIETARY TO MOLEX ELECTRONIC TECHNOLOGIES, LLC AND SHOULD NOT BE USED WITHOUT WRITTEN PERMISSION

ADDED P/N 87833-1240 EC NO: 605340 DRWN: SCHEONG CHK'D: GJEEVANSURES REV APPR: ISHWARG	2017/08/17	2018/10/03	GENERAL TOLERANCES (UNLESS SPECIFIED)		DIMENSION UNITS		SCALE					
			MM	INCH	MM	NTS						
	4 PLACES	±	±	DRWN BY		DATE		MILLIGRID, 2MM PITCH SHROUDED HEADER R/A, THROUGH HOLE				
	3 PLACES	±	±	GMENARLY		2015/09/29						
	2 PLACES	± 0.2	±	CHK'D BY		DATE						
1 PLACES	±	±	CGOH		2015/10/30		PRODUCT CUSTOMER DRAWING					
0 PLACES	±	±	APPR BY		DATE							
			ANGULAR TOL = 3.0		KHLIM		2015/11/03		SERIES: 87833    MATERIAL NUMBER: SEE TABLE    CUSTOMER: GENERAL MARKET			
			DRAFT WHERE APPLICABLE MUST REMAIN WITHIN DIMENSIONS		DRAWING SIZE: A3		THIRD ANGLE PROJECTION					
									DOCUMENT NUMBER: SD-87833-0001    DOC TYPE: PSD    DOC PART: 001    SHEET NUMBER: 1 OF 9			

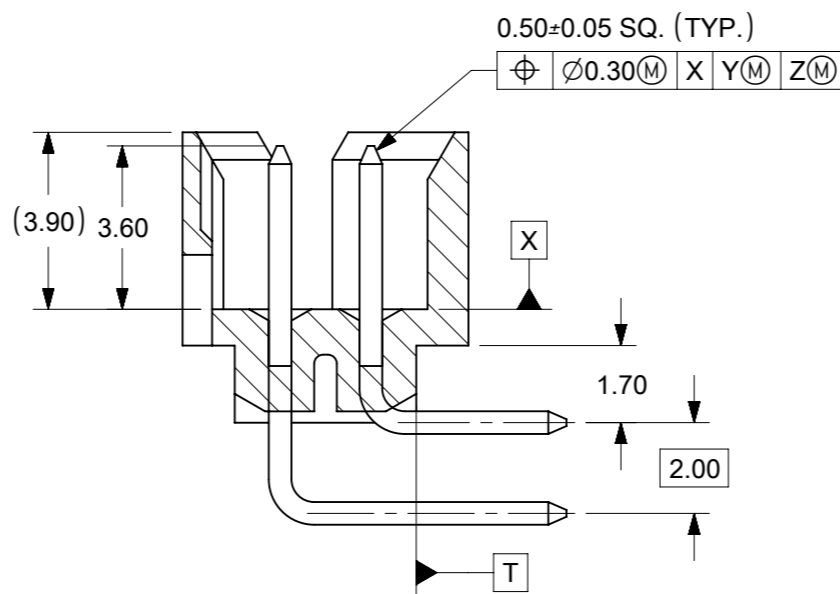
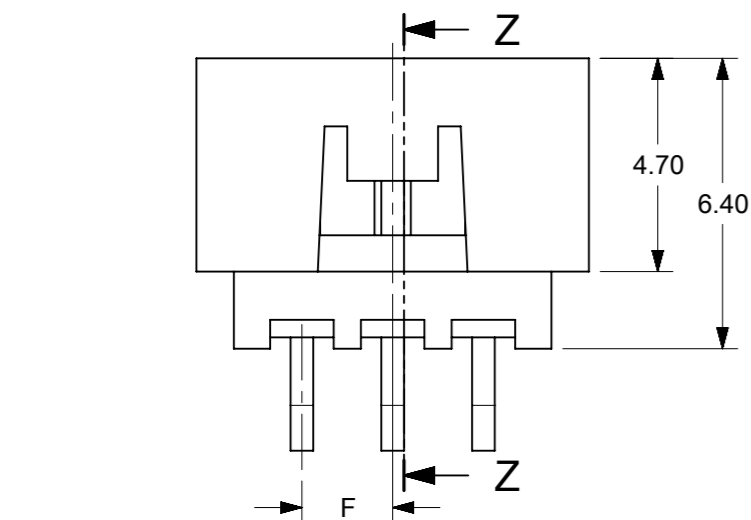
4 TO 6 CIRCUITS



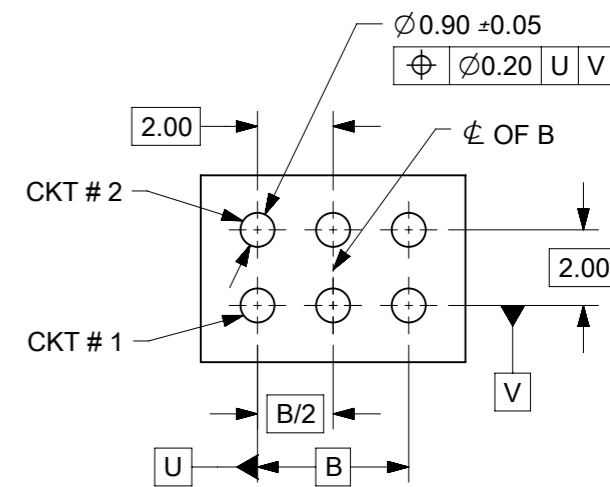
DETAIL A



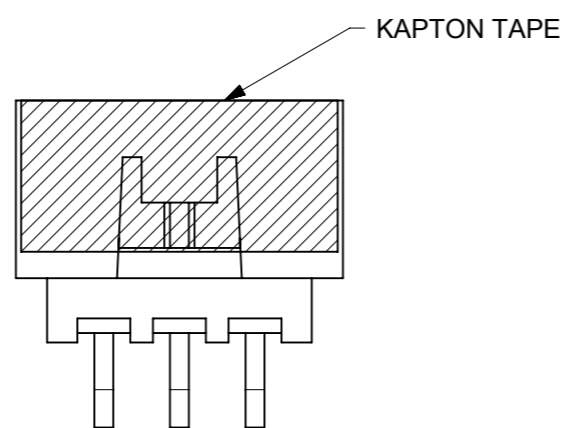
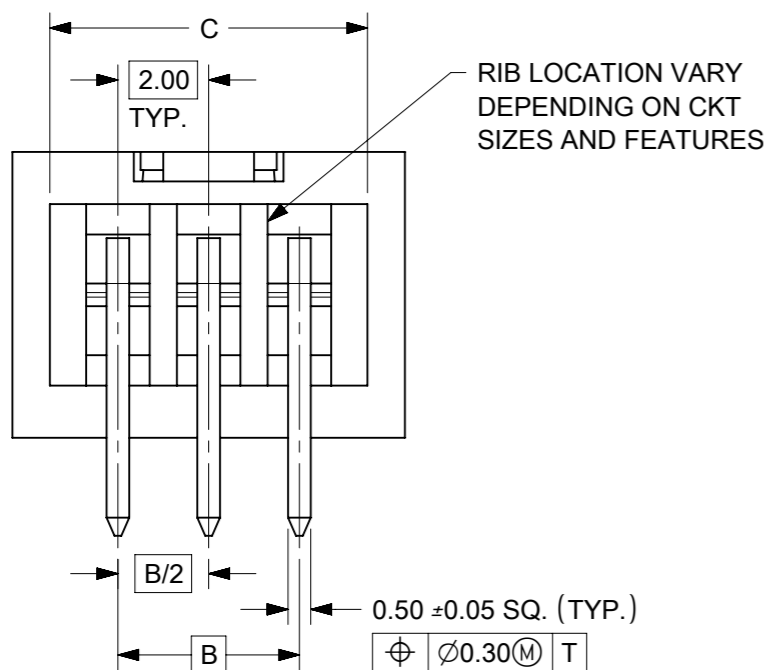
ISO VIEW OF HEADER  
DUAL SIDE SLOTS



SECTION Z-Z



RECOMMENDED PCB LAYOUT



KAPTON TAPE

NOTES:

1. MATERIALS:  
HOUSING: 30% GF, NYLON, UL94V-0, COLOR: BLACK.  
PIN: 0.50mm SQ. PHOSPHOR BRONZE.
2. FINISHES: REFER TO PLATING OPTIONS.
3. PRODUCT SPECIFICATION: PS-87831-027
4. PACKAGING SPECIFICATION: SEE PACKAGING SPECS TABLE ON SHEET 1
5. MATES WITH: A. MOLEX CRIMP RECEPTACLE HOUSING: 51110 SERIES AND CRIMP TERMINAL: 50394 SERIES.  
B. MOLEX 2MM MILLIGRID DUAL ROW IDT: 87568 SERIES.  
C. MOLEX 2MM MILLIGRID DUAL ROW RECEPTACLE: 79107 (GOLD PLATED), 78787 (TIN PLATED)
6. FOR ILLUSTRATION PURPOSE, 6 CIRCUITS HEADER IS SHOWN.

THIS DRAWING CONTAINS INFORMATION THAT IS PROPRIETARY TO MOLEX ELECTRONIC TECHNOLOGIES, LLC AND SHOULD NOT BE USED WITHOUT WRITTEN PERMISSION

ADDED P/N 87833-1240 EC NO: 605340 DRWN: SCHEONG CHK'D: GJEEVANSURES REV APPR: ISHWARG	2017/08/17	2018/10/03	2018/10/03	GENERAL TOLERANCES (UNLESS SPECIFIED)		DIMENSION UNITS		SCALE		<b>molex</b>  MILLIGRID, 2MM PITCH SHROUDED HEADER R/A, THROUGH HOLE  PRODUCT CUSTOMER DRAWING				
				MM	INCH	MM	NTS							
	4 PLACES	±	±	DRWN BY		DATE								
	3 PLACES	±	±	GMENARLY		2015/09/29								
				2 PLACES	± 0.2	±	CHK'D BY		DATE					
				1 PLACES	±	±	CGOH		2015/10/30					
				0 PLACES	±	±	APPR BY		DATE					
				ANGULAR TOL = 3.0		DRAWING SIZE		THIRD ANGLE PROJECTION						
				DRAFT WHERE APPLICABLE MUST REMAIN WITHIN DIMENSIONS		A3								
										SERIES	MATERIAL NUMBER	CUSTOMER		
										87833	SEE TABLE	GENERAL MARKET		
										DOCUMENT NUMBER		DOC TYPE	DOC PART	SHEET NUMBER
										SD-87833-0001		PSD	001	2 OF 9


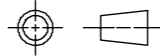
4 TO 6 CIRCUITS

CKT SIZE	ASSY. P/N WITHOUT KAPTON IN TUBE	ASSY. P/N WITH KAPTON IN TUBE	ASSY. P/N WITH KAPTON IN T&R	PLATING OPTIONS	FRICTION LOCKS		DUAL SIDE SLOTS	CENTER POLARIZATION	DIMENSION							
					DUAL	CENTER			A	B	C	D	E	F	G (SOLDER TAIL)	
4	87833-0419	N.A	N.A	1	N.A	N.A	YES	N.A	6.65	2.00	5.00	4.85	N.A	N.A	2.16	
	87833-0420	N.A	N.A	2												
	87833-0421	N.A	N.A	3												
	87833-5920	N.A	N.A	2	N.A	N.A	YES	N.A						N.A	1.00	2.16
	87833-0431	87833-0441	87833-0451	2	N.A	YES	YES	N.A								
	87833-0432	N.A	N.A	3	N.A	YES	YES	N.A						1.00	3.18	
	87833-0461	N.A	N.A	2												
87833-0619	N.A	N.A	1	8.65					4.00	7.00	6.85	N.A	N.A			2.16
87833-0620	N.A	N.A	2													
87833-0621	N.A	N.A	3													
87833-6420	N.A	N.A	2		N.A	N.A	YES	N.A					N.A	3.18		
87833-0631	87833-0641	87833-0651	2		N.A	YES	YES	N.A								
87833-0632	N.A	N.A	3		N.A	YES	YES	N.A					2.00	2.16		
87833-0661	N.A	N.A	2													
87833-0624	N.A	N.A	2													
87833-0625	N.A	N.A	3													

PLATING OPTIONS:

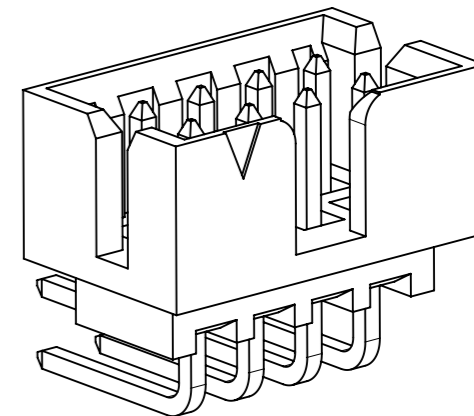
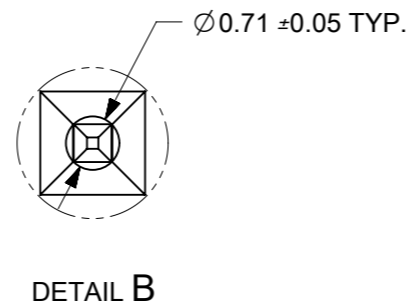
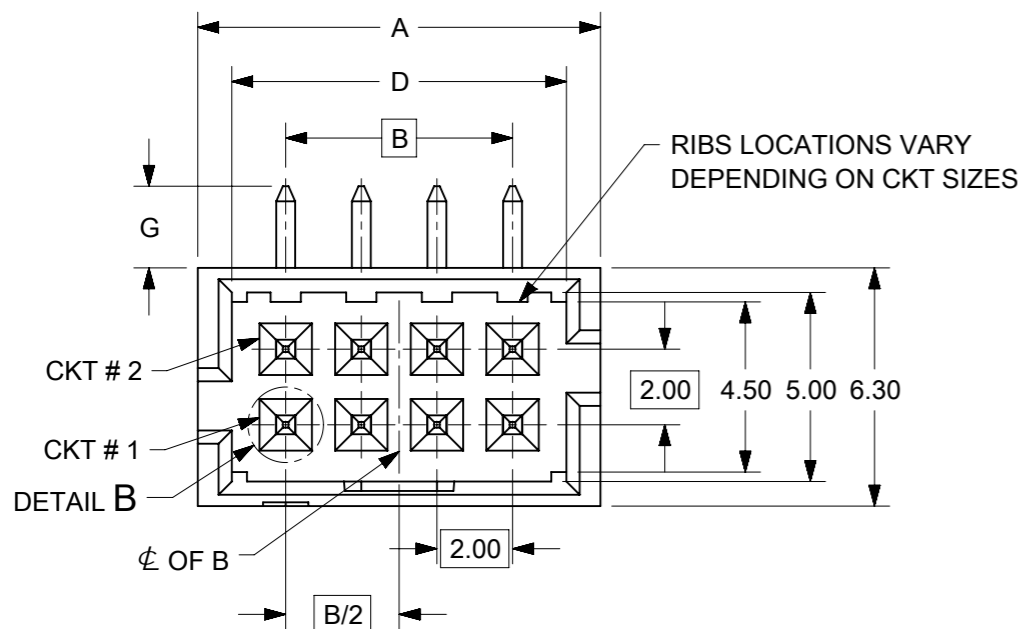
- 1 - 0.05-0.13µm/2-5µin GOLD IN CONTACT AREA AND  
1.88µm/75µin MIN. MATTE TIN IN SOLDER TAIL AREA OVER  
1.27µm/50µin MIN. NICKEL OVERALL.
- 2 - 0.38µm/15µin MIN. GOLD IN CONTACT AREA AND  
1.88µm/75µin MIN. MATTE TIN IN SOLDER TAIL AREA OVER  
1.27µm/50µin MIN. NICKEL OVERALL.
- 3 - 0.76µm/30µin MIN. GOLD IN CONTACT AREA AND  
1.88µm/75µin MIN. MATTE TIN IN SOLDER TAIL AREA OVER  
1.27µm/50µin MIN. NICKEL OVERALL.

THIS DRAWING CONTAINS INFORMATION THAT IS PROPRIETARY TO MOLEX ELECTRONIC TECHNOLOGIES, LLC AND SHOULD NOT BE USED WITHOUT WRITTEN PERMISSION

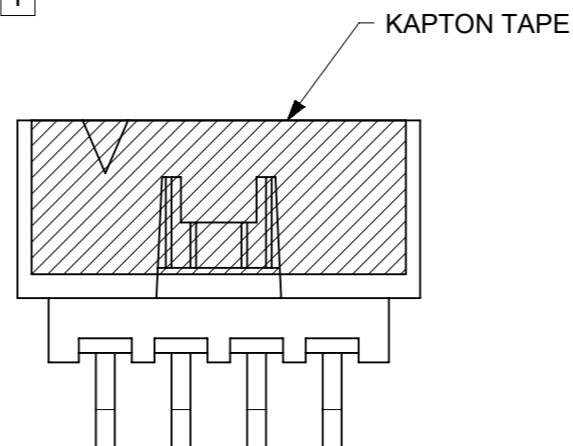
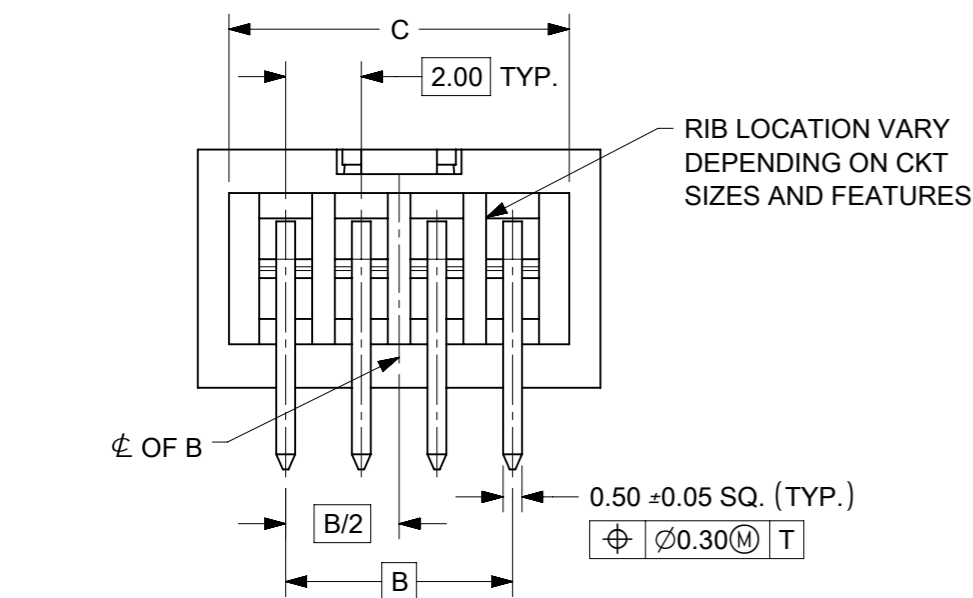
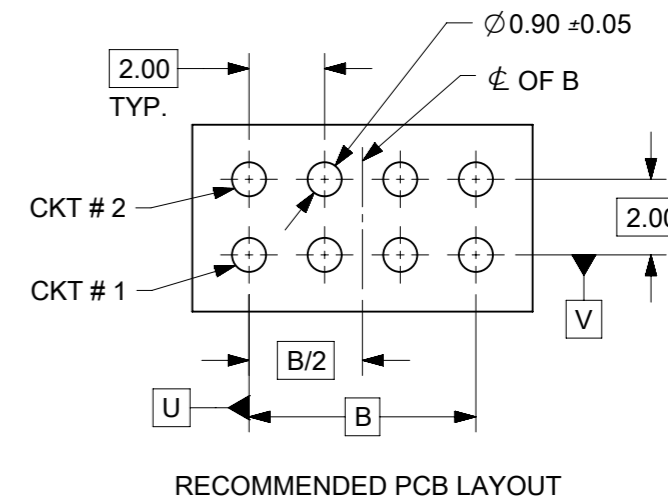
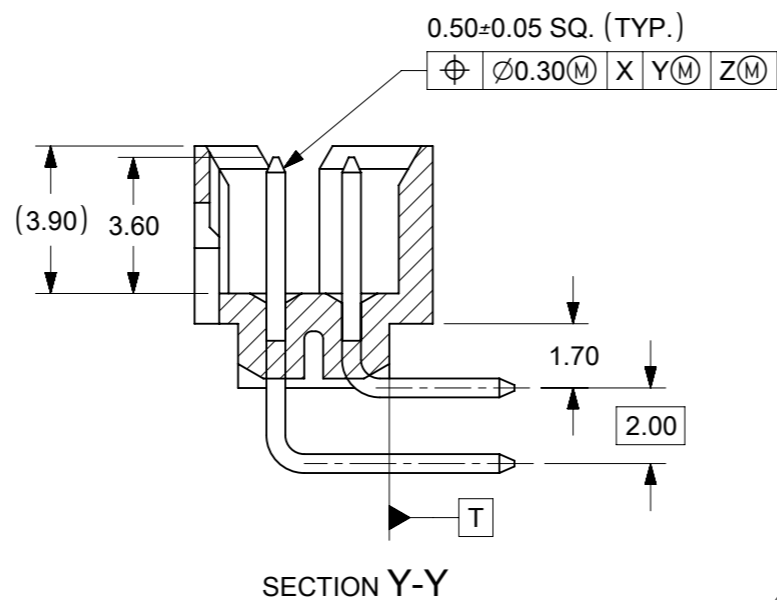
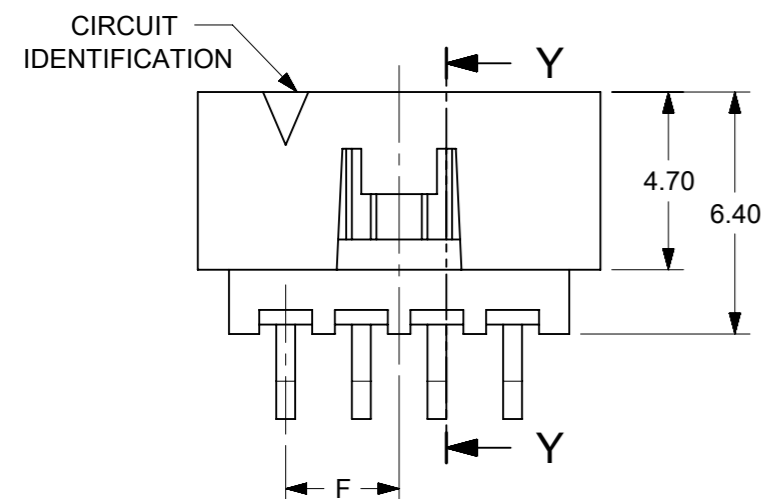
ADDED P/N 87833-1240 EC NO: 605340 DRWN: SCHEONG CHK'D: GJEEVANSURES APPR: ISHWARG	2017/08/17		2018/10/03		2018/10/03		GENERAL TOLERANCES (UNLESS SPECIFIED)		DIMENSION UNITS		SCALE		 MILLIGRID, 2MM PITCH SHROUDED HEADER R/A, THROUGH HOLE		
	MM		INCH		MM		NTS		DRWN BY		DATE				
	4 PLACES ±		±		GMENARLY		2015/09/29		CHK'D BY		DATE		PRODUCT CUSTOMER DRAWING SERIES: 87833    MATERIAL NUMBER: SEE TABLE    CUSTOMER: GENERAL MARKET		
	3 PLACES ±		±		CGOH		2015/10/30		APPR BY		DATE				
	2 PLACES ± 0.2		±		KHLIM		2015/11/03		DRAWING SIZE		THIRD ANGLE PROJECTION		DOCUMENT NUMBER: SD-87833-0001    DOC TYPE: PSD    DOC PART: 001    SHEET NUMBER: 3 OF 9		
	1 PLACES ±		±		A3				ANGULAR TOL = 3.0		DRAFT WHERE APPLICABLE MUST REMAIN WITHIN DIMENSIONS				
0 PLACES ±		±													

RELEASE STATUS	P1	RELEASE DATE	2018/10/03	12:37:41
----------------	----	--------------	------------	----------

8 TO 12 CIRCUITS



ISO VIEW OF HEADER WITH CENTER POLARIZATION AND DUAL SIDE SLOTS



NOTES:

- MATERIALS:  
HOUSING: 30% GF, NYLON, UL94V-0, COLOR: BLACK  
PIN: 0.50mm SQ. PHOSPHOR BRONZE.
- FINISHES: REFER TO PLATING OPTIONS.
- PRODUCT SPECIFICATION: PS-87831-027
- PACKAGING SPECIFICATION: SEE PACKAGING SPECS TABLE ON SHEET 1
- MATES WITH: A. MOLEX CRIMP RECEPTACLE HOUSING: 51110 SERIES AND CRIMP TERMINAL: 50394 SERIES.  
B. MOLEX 2mm MILLIGRID DUAL ROW IDT: 87568 SERIES.  
C. MOLEX 2mm MILLIGRID DUAL ROW RECEPTACLE: 79107 (GOLD PLATED), 78787 (TIN PLATED)
- FOR ILLUSTRATION PURPOSE, 8 CIRCUIT HEADER IS SHOWN.

THIS DRAWING CONTAINS INFORMATION THAT IS PROPRIETARY TO MOLEX ELECTRONIC TECHNOLOGIES, LLC AND SHOULD NOT BE USED WITHOUT WRITTEN PERMISSION

EC NO: 605340 DRWN: SCHEONG CHK'D: GJEEVANSURES APPR: ISHWARG	2017/08/17	2018/10/03	GENERAL TOLERANCES (UNLESS SPECIFIED)		DIMENSION UNITS	SCALE			
	2018/10/03	2018/10/03	MM	INCH	MM	NTS			
	4 PLACES ±		±	DRWN BY	DATE	GMENARLY 2015/09/29			
	3 PLACES ±		±	CHK'D BY	DATE	CGOH 2015/10/30			
	2 PLACES ± 0.2		±	APPR BY	DATE	KHLIM 2015/11/03			
1 PLACES ±		±	ANGULAR TOL = 3.0		DRAWING SIZE	THIRD ANGLE PROJECTION	PRODUCT CUSTOMER DRAWING SERIES: 87833 MATERIAL NUMBER: SEE TABLE CUSTOMER: GENERAL MARKET		
0 PLACES ±		±	DRAFT WHERE APPLICABLE MUST REMAIN WITHIN DIMENSIONS		A3				
ADDED P/N 87833-1240		REV							
RELEASE STATUS: P1		RELEASE DATE: 2018/10/03	12:37:41		DOCUMENT NUMBER: SD-87833-0001		DOC TYPE: PSD	DOC PART: 001	SHEET NUMBER: 4 OF 9


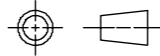
8 TO 12 CIRCUITS

CKT SIZE	ASSY. P/N WITHOUT KAPTON IN TUBE	ASSY. P/N WITH KAPTON IN TUBE	ASSY. P/N WITH KAPTON IN T&R	PLATING OPTIONS	FRICTION LOCKS		DUAL SIDE SLOTS	CENTER POLARIZATION	DIMENSION							
					DUAL	CENTER			A	B	C	D	E	F	G (SOLDER TAIL)	
8	87833-0819	N.A	N.A	1	N.A	N.A	YES	YES	10.65	6.00	9.00	8.85	N.A	N.A	2.16	
	87833-0820	N.A	N.A	2												
	87833-0821	N.A	N.A	3												
	87833-6320	N.A	N.A	2	N.A	N.A	YES	YES						N.A	3.00	2.16
	87833-6321	N.A	N.A	3												
	87833-0831	87833-0841	87833-0851	2	N.A	YES	YES	N.A						3.00	3.18	
	87833-0832	N.A	N.A	3												
	87833-0861	N.A	N.A	2	N.A	N.A	YES	YES						N.A	2.92	
	87833-0824	N.A	N.A	2												
	87833-0825	N.A	N.A	3												
10	87833-1019	N.A	N.A	1	N.A	N.A	YES	YES	12.65	8.00	11.00	10.85	N.A	N.A	2.16	
	87833-1020	N.A	N.A	2												
	87833-1021	N.A	N.A	3												
	87833-1031	N.A	N.A	2	N.A	YES	YES	N.A						4.00	2.16	
	87833-1032	N.A	N.A	3												
	N.A	87833-1041	87833-1051	2	N.A	N.A	YES	YES						4.00	1.70	
	87833-1024	N.A	N.A	2												
	87833-1025	N.A	N.A	3												
12	87833-1219	N.A	N.A	1	N.A	N.A	YES	YES	14.65	10.00	13.00	12.85	N.A	N.A	2.16	
	87833-1220	N.A	A8 87833-1240	2												
	87833-1221	N.A	N.A	3												
	87833-6020	N.A	N.A	2	N.A	N.A	YES	YES						N.A	3.18	
	87833-1231	N.A	N.A	2												
	87833-1232	N.A	N.A	3	N.A	YES	YES	N.A						5.00	2.16	
	87833-1224	N.A	N.A	2												
	87833-1225	N.A	N.A	3												

PLATING OPTIONS:

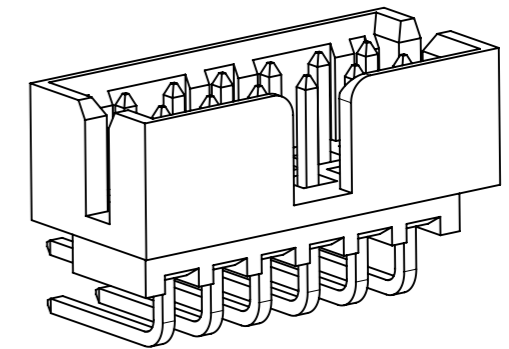
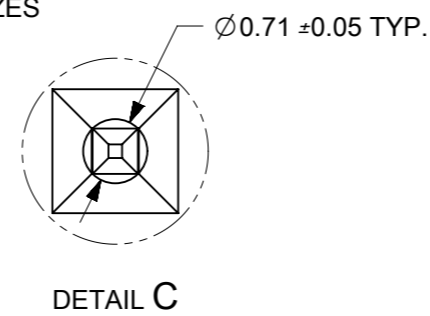
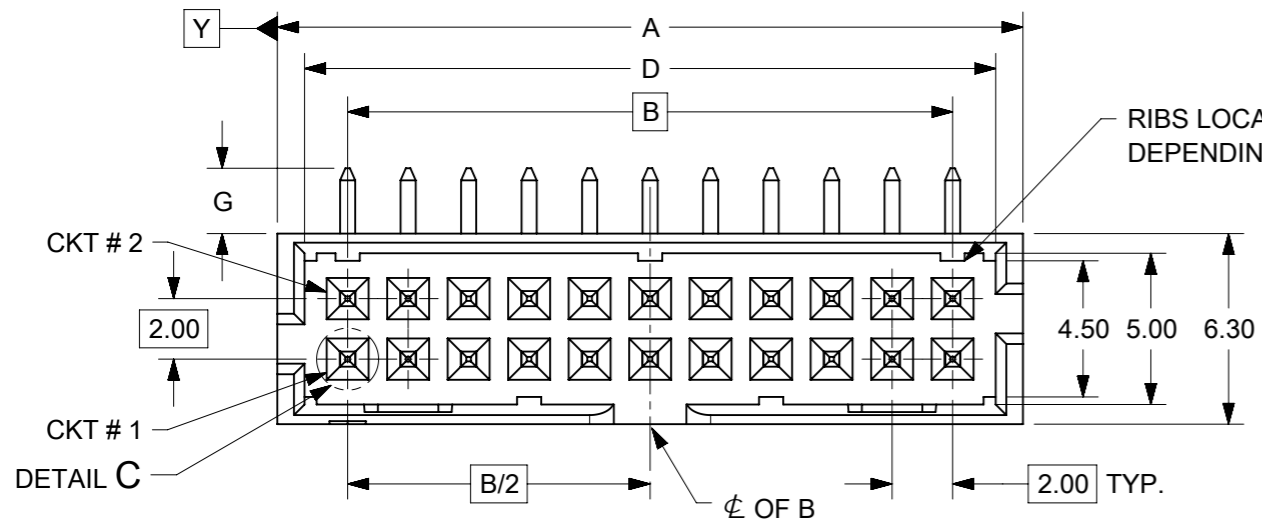
- 1 - 0.05-0.13µm/2-5µm GOLD IN CONTACT AREA AND 1.88µm/75µm MIN. MATTE TIN IN SOLDER TAIL AREA OVER 1.27µm/50µm MIN. NICKEL OVERALL.
- 2 - 0.38µm/15µm MIN. GOLD IN CONTACT AREA AND 1.88µm/75µm MIN. MATTE TIN IN SOLDER TAIL AREA OVER 1.27µm/50µm MIN. NICKEL OVERALL.
- 3 - 0.76µm/30µm MIN. GOLD IN CONTACT AREA AND 1.88µm/75µm MIN. MATTE TIN IN SOLDER TAIL AREA OVER 1.27µm/50µm MIN. NICKEL OVERALL.

THIS DRAWING CONTAINS INFORMATION THAT IS PROPRIETARY TO MOLEX ELECTRONIC TECHNOLOGIES, LLC AND SHOULD NOT BE USED WITHOUT WRITTEN PERMISSION

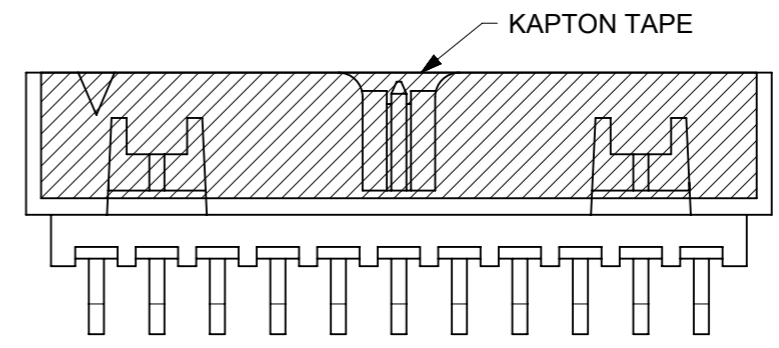
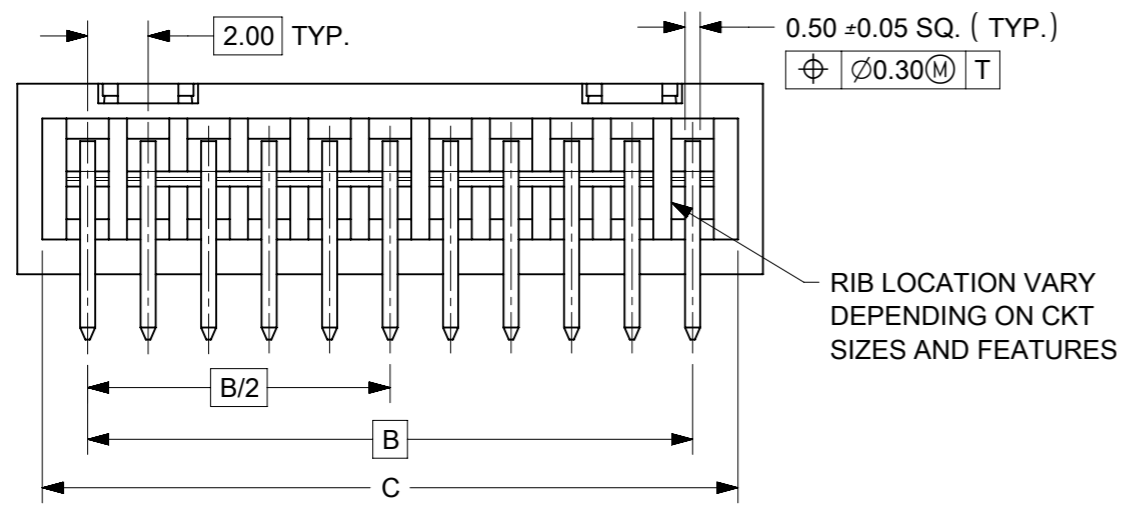
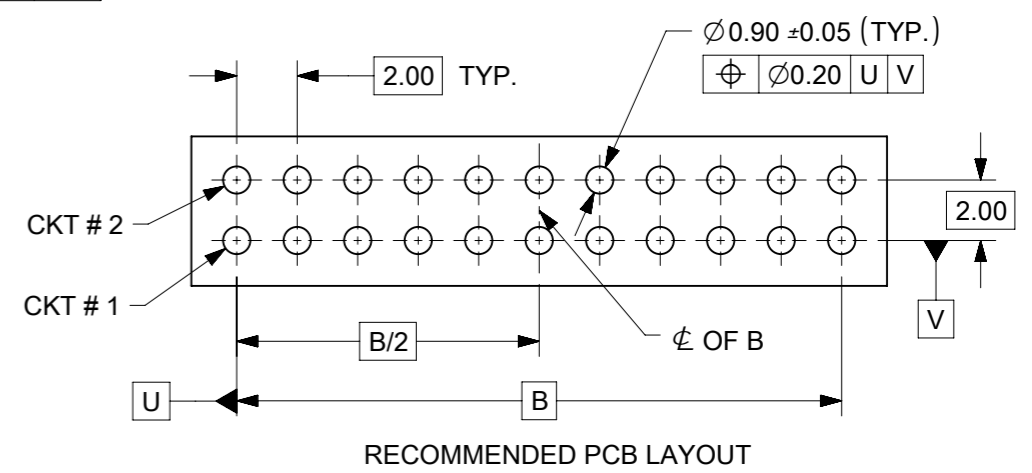
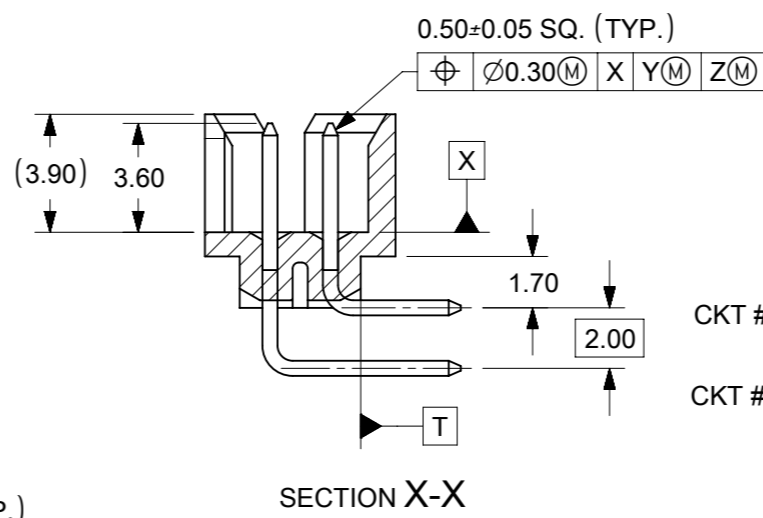
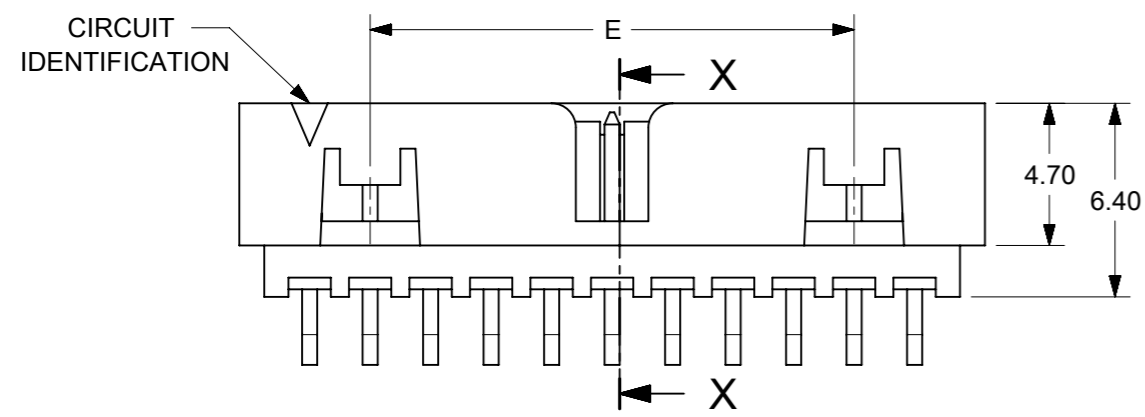
ADDED P/N 87833-1240 EC NO: 605340 DRWN: SCHEONG CHKD: GJEEVANSURES REV APPR: ISHWARG	2017/08/17	2018/10/03	2018/10/03	GENERAL TOLERANCES (UNLESS SPECIFIED)		DIMENSION UNITS		SCALE					
				MM	INCH	MM	NTS						
	4 PLACES	±	±	DRWN BY	DATE	MILLIGRID, 2MM PITCH SHROUDED HEADER R/A, THROUGH HOLE							
	3 PLACES	±	±	GMENARLY	2015/09/29								
	2 PLACES	± 0.2	±	CHK'D BY	DATE	PRODUCT CUSTOMER DRAWING							
1 PLACES	±	±	CGOH	2015/10/30									
0 PLACES	±	±	APPR BY	DATE	SERIES: 87833 MATERIAL NUMBER: SEE TABLE CUSTOMER: GENERAL MARKET								
			KHLIM	2015/11/03									
ANGULAR TOL = 3.0			DRAWING SIZE	THIRD ANGLE PROJECTION	DOCUMENT NUMBER: SD-87833-0001 DOC TYPE: PSD DOC PART: 001 SHEET NUMBER: 5 OF 9								
DRAFT WHERE APPLICABLE MUST REMAIN WITHIN DIMENSIONS			A3										

RELEASE STATUS	P1	RELEASE DATE	2018/10/03	12:37:41
----------------	----	--------------	------------	----------

# 14 TO 50 CIRCUITS



ISO VIEW OF HEADER WITH CENTER POLARIZATION AND DUAL SIDE SLOTS



- NOTES:**
- MATERIALS:**  
HOUSING: 30% GF, NYLON, UL94V-0, COLOR: BLACK.  
PIN: 0.50mm SQ PHOSPHOR BRONZE.
  - FINISHES:** REFER TO PLATING OPTIONS.
  - PRODUCT SPECIFICATION:** PS-87831-027
  - PACKAGING SPECIFICATION:** SEE PACKAGING SPECS TABLE ON SHEET 1
  - MATES WITH:** A. MOLEX CRIMP RECEPTACLE HOUSING: 51110 SERIES AND CRIMP TERMINAL: 50394 SERIES.  
B. MOLEX 2mm MILLIGRID DUAL ROW IDT: 87568 SERIES.  
C. MOLEX 2mm MILLIGRID DUAL ROW RECEPTACLE: 79107 (GOLD PLATED), 78787 (TIN PLATED)
  - FOR ILLUSTRATION PURPOSE, 22 CIRCUITS HEADER IS SHOWN.**

THIS DRAWING CONTAINS INFORMATION THAT IS PROPRIETARY TO MOLEX ELECTRONIC TECHNOLOGIES, LLC AND SHOULD NOT BE USED WITHOUT WRITTEN PERMISSION

EC NO: 605340 DRWN: SCHEONG CHK'D: GJEEVANSURES APPR: ISHWARG	2017/08/17	2018/10/03	2018/10/03	GENERAL TOLERANCES (UNLESS SPECIFIED)		DIMENSION UNITS	SCALE				
				MM	INCH	MM	NTS				
				4 PLACES	±	±	DRWN BY	DATE	MILLIGRID, 2MM PITCH SHROUDED HEADER R/A, THROUGH HOLE		
				3 PLACES	±	±	GMENARLY	2015/09/29			
				2 PLACES	± 0.2	±	CHK'D BY	DATE	PRODUCT CUSTOMER DRAWING		
			1 PLACES	±	±	CGOH	2015/10/30				
			0 PLACES	±	±	APPR BY	DATE	SERIES: 87833    MATERIAL NUMBER: SEE TABLE    CUSTOMER: GENERAL MARKET			
						KHLIM	2015/11/03				
				ANGULAR TOL = 3.0		DRAWING SIZE	THIRD ANGLE PROJECTION	DOCUMENT NUMBER: SD-87833-0001    DOC TYPE: PSD    DOC PART: 001    SHEET NUMBER: 6 OF 9			
				DRAFT WHERE APPLICABLE MUST REMAIN WITHIN DIMENSIONS		A3					


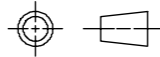
14 TO 24 CIRCUITS

CKT SIZE	ASSY. P/N WITHOUT KAPTON IN TUBE	ASSY. P/N WITH KAPTON IN TUBE	ASSY. P/N WITH KAPTON IN T&R	PLATING OPTIONS	FRICTION LOCKS		DUAL SIDE SLOTS	CENTER POLARIZATION	DIMENSION												
					DUAL	CENTER			A	B	C	D	E	F	G (SOLDER TAIL)						
14	87833-1419	N.A	N.A	1	YES	N.A	YES	YES	16.65	12.00	15.00	14.85	8.00	N.A	2.16						
	87833-1420	N.A	N.A	2																	
	87833-1421	N.A	N.A	3																	
	87833-5320	N.A	N.A	2	YES	N.A	YES	YES							16.65	12.00	15.00	14.85	8.00	N.A	3.18
	87833-5321	N.A	N.A	3																	
	87833-1436	N.A	N.A	3																	
	N.A	N.A	87833-7420	2																	
16	87833-1619	N.A	N.A	1	YES	N.A	YES	YES	18.65	14.00	17.00	16.85	10.00	N.A							2.16
	87833-1620	N.A	N.A	2																	
	87833-1621	N.A	N.A	3																	
	87833-6120	N.A	87833-7120	2											YES	N.A	YES	YES	3.18		
18	87833-1819	N.A	N.A	1	YES	N.A	YES	YES	20.65	16.00	19.00	18.85	12.00	N.A	2.16						
	87833-1820	N.A	N.A	2																	
	87833-1821	N.A	N.A	3																	
	87833-6220	N.A	N.A	2											YES	N.A	YES	YES	3.18		
20	87833-2019	N.A	N.A	1	YES	N.A	YES	YES	22.65	18.00	21.00	20.85	14.00	N.A	2.16						
	87833-2020	N.A	87833-7220	2																	
	87833-2021	N.A	N.A	3																	
	87833-6520	N.A	N.A	2											YES	N.A	YES	YES	3.18		
	87833-6521	N.A	N.A	3																	
	87833-2036	N.A	N.A	3											YES	N.A	YES	YES	3.50		
22	87833-2219	N.A	N.A	1	YES	N.A	YES	YES	24.65	20.00	23.00	22.85	16.00	N.A	2.16						
	87833-2220	N.A	N.A	2																	
	87833-2221	N.A	N.A	3																	
24	87833-2419	N.A	N.A	1	YES	N.A	YES	YES	26.65	22.00	25.00	24.85	18.00	N.A	2.16						
	87833-2420	N.A	87833-7020	2																	
	87833-2421	N.A	N.A	3																	
	87833-7320	N.A	N.A	2											YES	N.A	YES	YES	2.00		
	87833-2436	N.A	N.A	3											YES	N.A	YES	YES	3.50		
	87833-6920	N.A	N.A	2											YES	N.A	YES	YES	3.27		

PLATING OPTIONS:

- 1 - 0.05-0.13µm/2-5µin GOLD IN CONTACT AREA AND 1.88µm/75µin MIN. MATTE TIN IN SOLDER TAIL AREA OVER 1.27µm/50µin MIN. NICKEL OVERALL.
- 2 - 0.38µm/15µin MIN. GOLD IN CONTACT AREA AND 1.88µm/75µin MIN. MATTE TIN IN SOLDER TAIL AREA OVER 1.27µm/50µin MIN. NICKEL OVERALL.
- 3 - 0.76µm/30µin MIN. GOLD IN CONTACT AREA AND 1.88µm/75µin MIN. MATTE TIN IN SOLDER TAIL AREA OVER 1.27µm/50µin MIN. NICKEL OVERALL.

THIS DRAWING CONTAINS INFORMATION THAT IS PROPRIETARY TO MOLEX ELECTRONIC TECHNOLOGIES, LLC AND SHOULD NOT BE USED WITHOUT WRITTEN PERMISSION

ADDED P/N 87833-1240 EC NO: 605340 DRWN: SCHEONG CHK'D: GJEEVANSURES APP'R: ISHWARG	2017/08/17	2018/10/03	GENERAL TOLERANCES (UNLESS SPECIFIED)		DIMENSION UNITS		SCALE					
			MM	INCH	MM	NTS						
				4 PLACES ±	±	DRWN BY	DATE	MILLIGRID, 2MM PITCH SHROUDED HEADER R/A, THROUGH HOLE				
				3 PLACES ±	±	GMENARLY	2015/09/29					
				2 PLACES ± 0.2	±	CHK'D BY	DATE	PRODUCT CUSTOMER DRAWING				
				1 PLACES ±	±	CGOH	2015/10/30					
			0 PLACES ±	±	APP'R BY	DATE	SERIES MATERIAL NUMBER CUSTOMER					
					KHLIM	2015/11/03					87833	SEE TABLE
			ANGULAR TOL = 3.0		DRAWING SIZE	THIRD ANGLE PROJECTION		DOCUMENT NUMBER DOC TYPE DOC PART SHEET NUMBER				
			DRAFT WHERE APPLICABLE MUST REMAIN WITHIN DIMENSIONS		A3							SD-87833-0001


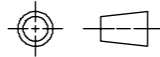
26 TO 38 CIRCUITS

CKT SIZE	ASSY. P/N WITHOUT KAPTON IN TUBE	ASSY. P/N WITH KAPTON IN TUBE	ASSY. P/N WITH KAPTON IN T&R	PLATING OPTIONS	FRICTION LOCKS		DUAL SIDE SLOTS	CENTER POLARIZATION	DIMENSION							
					DUAL	CENTER			A	B	C	D	E	F	G (SOLDER TAIL)	
26	87833-2619	N.A	N.A	1												
	87833-2620	N.A	N.A	2	YES	N.A	YES	YES	28.65	24.00	27.00	26.85	20.00	N.A	2.16	
	87833-2621	N.A	N.A	3												
	87833-2636	N.A	N.A	3	YES	N.A	YES	YES								3.50
87833-2819	N.A	N.A	1													
28	87833-2820	N.A	N.A	2	YES	N.A	YES	YES	30.65	26.00	29.00	28.85	22.00	N.A	2.16	
	87833-2821	N.A	N.A	3												
	87833-6620	N.A	N.A	2	YES	N.A	YES	YES								3.18
	87833-3019	N.A	N.A	1												
30	87833-3020	N.A	N.A	2	YES	N.A	YES	YES	32.65	28.00	31.00	30.85	24.00	N.A	2.16	
	87833-3021	N.A	N.A	3												
	87833-6720	N.A	N.A	2	YES	N.A	YES	YES								3.18
	87833-6721	N.A	N.A	3												
	87833-3036	N.A	N.A	3	YES	N.A	YES	YES							3.50	
	87833-3219	N.A	N.A	1												
32	87833-3220	N.A	N.A	2	YES	N.A	YES	YES	34.65	30.00	33.00	32.85	26.00	N.A	2.16	
	87833-3221	N.A	N.A	3												
	87833-3419	N.A	N.A	1												
34	87833-3420	N.A	N.A	2	YES	N.A	YES	YES	36.65	32.00	35.00	34.85	28.00	N.A	2.16	
	87833-3421	N.A	N.A	3												
	87833-5420	N.A	N.A	2	YES	N.A	YES	YES								3.18
	87833-3424	N.A	N.A	2	N.A	N.A	YES	YES							2.92	
	87833-3619	N.A	N.A	1												
36	87833-3620	N.A	N.A	2	YES	N.A	YES	YES	38.65	34.00	37.00	36.85	30.00	N.A	2.16	
	87833-3621	N.A	N.A	3												
	87833-3819	N.A	N.A	1												
38	87833-3820	N.A	N.A	2	YES	N.A	YES	YES	40.65	36.00	39.00	38.85	32.00	N.A	2.16	
	87833-3821	N.A	N.A	3												

PLATING OPTIONS:

- 1 - 0.05-0.13µm/2-5µin GOLD IN CONTACT AREA AND 1.88µm/75µin MIN. MATTE TIN IN SOLDER TAIL AREA OVER 1.27µm/50µin MIN. NICKEL OVERALL.
- 2 - 0.38µm/15µin MIN. GOLD IN CONTACT AREA AND 1.88µm/75µin MIN. MATTE TIN IN SOLDER TAIL AREA OVER 1.27µm/50µin MIN. NICKEL OVERALL.
- 3 - 0.76µm/30µin MIN. GOLD IN CONTACT AREA AND 1.88µm/75µin MIN. MATTE TIN IN SOLDER TAIL AREA OVER 1.27µm/50µin MIN. NICKEL OVERALL.

THIS DRAWING CONTAINS INFORMATION THAT IS PROPRIETARY TO MOLEX ELECTRONIC TECHNOLOGIES, LLC AND SHOULD NOT BE USED WITHOUT WRITTEN PERMISSION

ADDED P/N 87833-1240 EC NO: 605340 DRWN: SCHEONG CHKD: GJEEVANSURES REV APPR: ISHWARG	2017/08/17	2018/10/03	2018/10/03	GENERAL TOLERANCES (UNLESS SPECIFIED)		DIMENSION UNITS		SCALE		 MILLIGRID, 2MM PITCH SHROUDED HEADER R/A, THROUGH HOLE			
				MM	INCH	MM	NTS	NTS					
				4 PLACES	±	±	DRWN BY	DATE	PRODUCT CUSTOMER DRAWING SERIES: 87833 MATERIAL NUMBER: SEE TABLE CUSTOMER: GENERAL MARKET				
				3 PLACES	±	±	GMENARLY	2015/09/29					
				2 PLACES	±	0.2	CHK'D BY	DATE	DOCUMENT NUMBER: SD-87833-0001 DOC TYPE: PSD DOC PART: 001 SHEET NUMBER: 8 OF 9				
				1 PLACES	±	±	CGOH	2015/10/30					
			0 PLACES	±	±	APPR BY	DATE	DRAFT WHERE APPLICABLE MUST REMAIN WITHIN DIMENSIONS					
						KHLIM	2015/11/03						
						ANGULAR TOL = 3.0		DRAWING SIZE		THIRD ANGLE PROJECTION			
						A3							


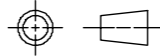
40 TO 50 CIRCUITS

CKT SIZE	ASSY. P/N WITHOUT KAPTON IN TUBE	ASSY. P/N WITH KAPTON IN TUBE	ASSY. P/N WITH KAPTON IN T&R	PLATING OPTIONS	FRICTION LOCKS		DUAL SIDE SLOTS	CENTER POLARIZATION	DIMENSION						
					DUAL	CENTER			A	B	C	D	E	F	G (SOLDER TAIL)
40	87833-4019	N.A	N.A	1	YES	N.A	YES	YES	42.65	38.00	41.00	40.85	34.00	N.A	2.16
	87833-4020	N.A	N.A	2											
	87833-4021	N.A	N.A	3											
42	87833-4219	N.A	N.A	1	YES	N.A	YES	YES	44.65	40.00	43.00	42.85	36.00	N.A	2.16
	87833-4220	N.A	N.A	2											
	87833-4221	N.A	N.A	3											
44	87833-4419	N.A	N.A	1	YES	N.A	YES	YES	46.65	42.00	45.00	44.85	38.00	N.A	2.16
	87833-4420	N.A	N.A	2											
	87833-4421	N.A	N.A	3											
	87833-4424	N.A	N.A	2											
	87833-4425	N.A	N.A	3	N.A	N.A	YES	YES							
46	87833-4619	N.A	N.A	1	YES	N.A	YES	YES	48.65	44.00	47.00	46.85	40.00	N.A	2.16
	87833-4620	N.A	N.A	2											
	87833-4621	N.A	N.A	3											
48	87833-4819	N.A	N.A	1	YES	N.A	YES	YES	50.65	46.00	49.00	48.85	42.00	N.A	2.16
	87833-4820	N.A	N.A	2											
	87833-4821	N.A	N.A	3											
50	87833-5019	N.A	N.A	1	YES	N.A	YES	YES	52.65	48.00	51.00	50.85	44.00	N.A	2.16
	87833-5020	N.A	N.A	2											
	87833-5021	N.A	N.A	3											

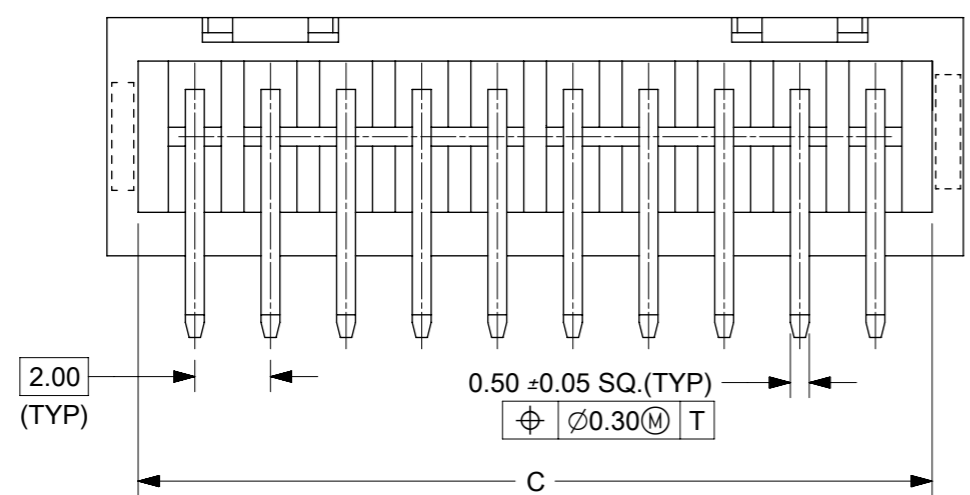
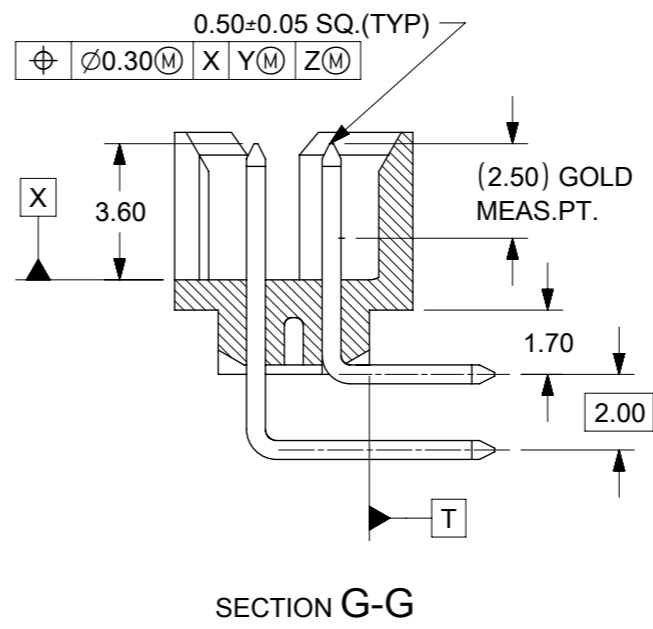
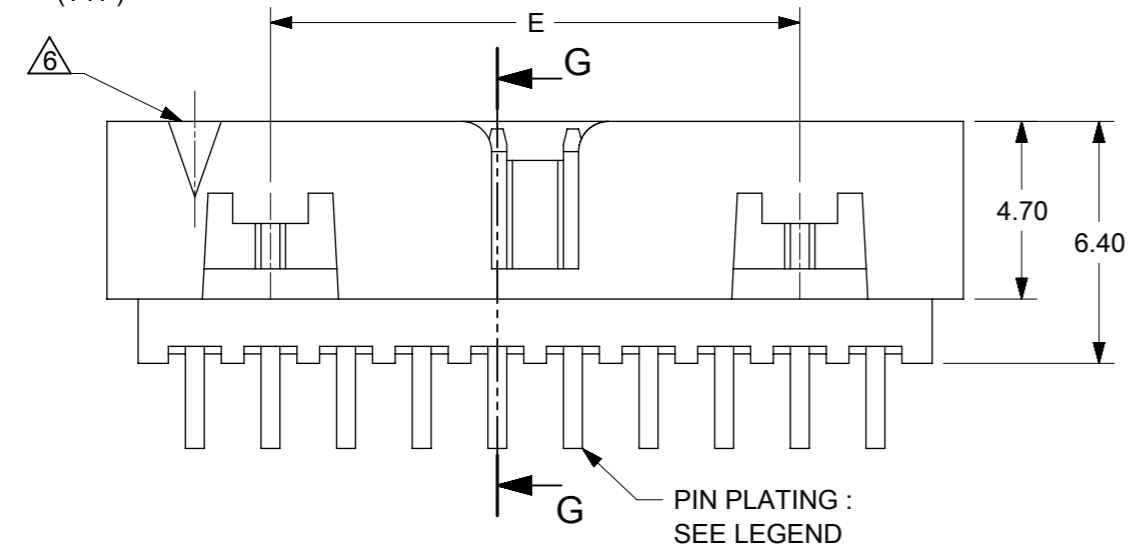
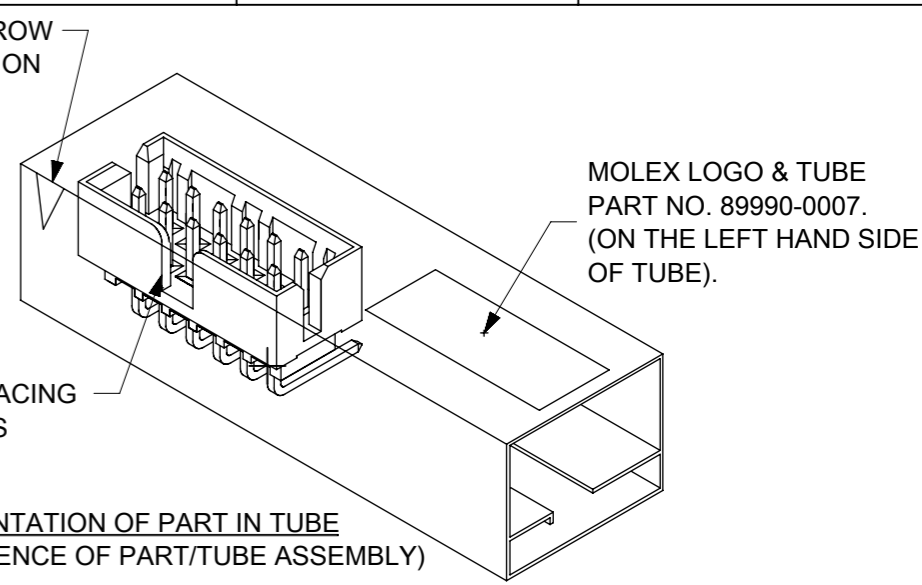
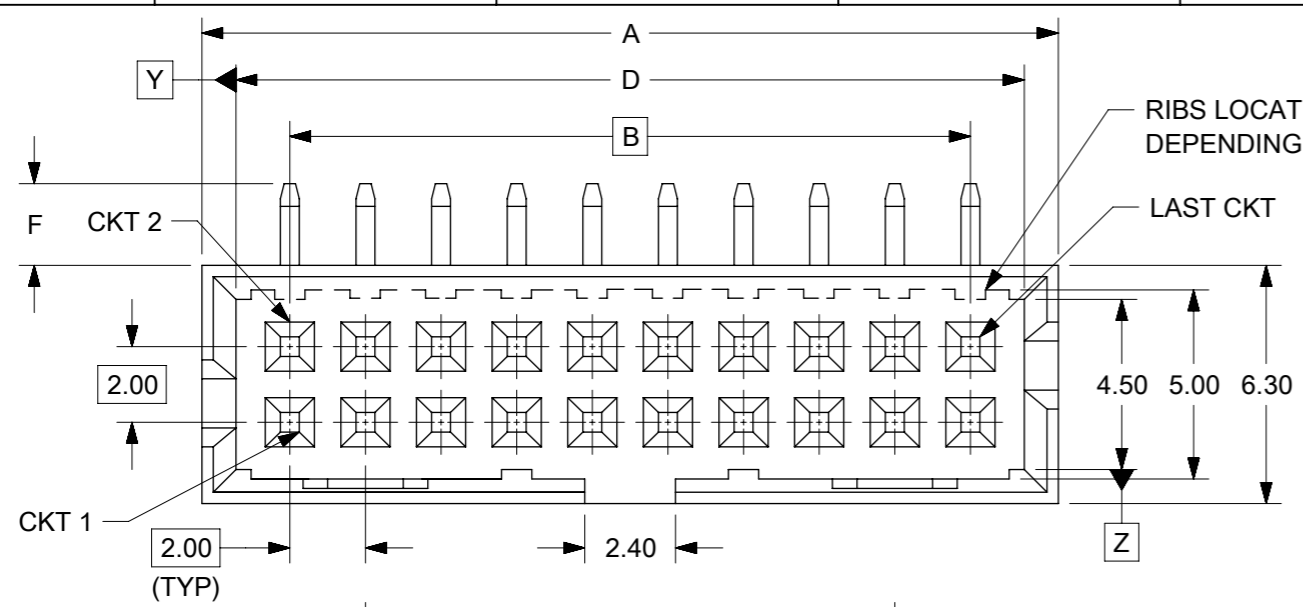
PLATING OPTIONS:

- 1 - 0.05-0.13µm/2-5µin GOLD IN CONTACT AREA AND 1.88µm/75µin MIN. MATTE TIN IN SOLDER TAIL AREA OVER 1.27µm/50µin MIN. NICKEL OVERALL.
- 2 - 0.38µm/15µin MIN. GOLD IN CONTACT AREA AND 1.88µm/75µin MIN. MATTE TIN IN SOLDER TAIL AREA OVER 1.27µm/50µin MIN. NICKEL OVERALL.
- 3 - 0.76µm/30µin MIN. GOLD IN CONTACT AREA AND 1.88µm/75µin MIN. MATTE TIN IN SOLDER TAIL AREA OVER 1.27µm/50µin MIN. NICKEL OVERALL.

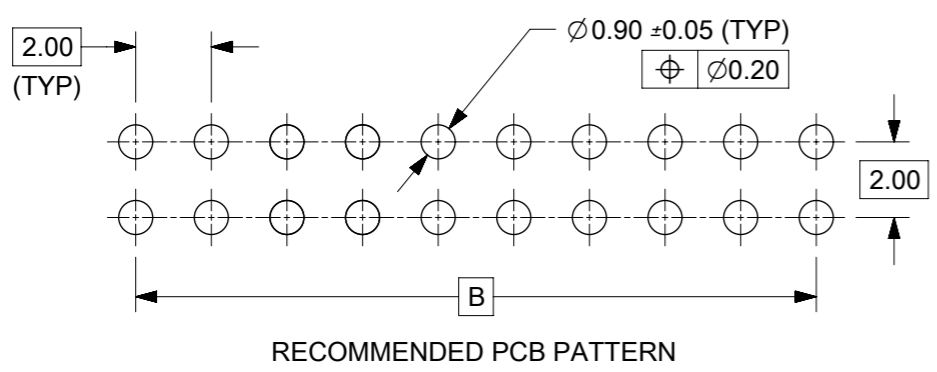
THIS DRAWING CONTAINS INFORMATION THAT IS PROPRIETARY TO MOLEX ELECTRONIC TECHNOLOGIES, LLC AND SHOULD NOT BE USED WITHOUT WRITTEN PERMISSION

ADDED P/N 87833-1240 EC NO: 605340 DRWN: SCHEONG CHK'D: GJEEVANSURES REV APPR: ISHWARG	2017/08/17	2018/10/03	2018/10/03	GENERAL TOLERANCES (UNLESS SPECIFIED)		DIMENSION UNITS		SCALE		 MILLIGRID, 2MM PITCH SHROUDED HEADER R/A, THROUGH HOLE				
				MM	INCH	MM	NTS							
	4 PLACES	±	±	DRWN BY		DATE		PRODUCT CUSTOMER DRAWING SERIES: 87833 MATERIAL NUMBER: SEE TABLE CUSTOMER: GENERAL MARKET DOCUMENT NUMBER: SD-87833-0001 DOC TYPE: PSD DOC PART: 001 SHEET NUMBER: 9 OF 9						
	3 PLACES	±	±	GMENARLY		2015/09/29								
	2 PLACES	±	0.2	CHK'D BY		DATE		DRAFT WHERE APPLICABLE MUST REMAIN WITHIN DIMENSIONS						
	1 PLACES	±	±	CGOH		2015/10/30								
0 PLACES	±	±	APPR BY		DATE		THIRD ANGLE PROJECTION 							
ANGULAR TOL = 3.0			KHLIM		2015/11/03									
DRAWING SIZE			A3											

RELEASE STATUS	P1	RELEASE DATE	2018/10/03	12:37:41
----------------	----	--------------	------------	----------



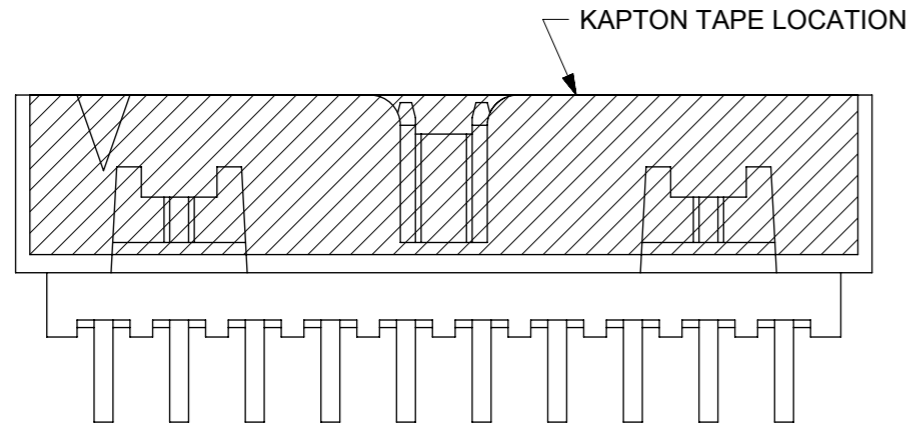
- NOTES:**
- FOR ILLUSTRATION PURPOSES, 20 CIRCUIT SIZE WAFER IS SHOWN.
  - MATERIAL:**  
HOUSING : NYLON GLASS-FILLED, UL94V-0, COLOR BLACK.  
PIN : 0.50mm SQ.PHOSPHOR BRONZE.
  - PRODUCT SPECIFICATION PS-87831-027 APPLIES.
  - NO CENTRE POLARIZATION SLOT FOR CKT SIZE 4 AND 6.
  - NO SIDE LOCKING SLOT FROM 4 TO 12 CKT SIZE.
  - CKT 4 & 6 HAS NO IDENTIFICATION TAG.
  - THIS HEADER MATES WITH MOLEX:  
a) CRIMP RECEPTACLE HOUSING, 51110 SERIES WITH CRIMP TERMINAL, 50394 SERIES.  
b) 2mm MILLIGRID DUAL ROW IDT, 87568 SERIES.
  - PARTS TO BE PACKED IN TUBE WITH MOISTURE BARRIER BAG.
  - PLATING SPECIFICATION REFERRED TO SHEET 2.
  - PACKAGING SPEC: PK-87831-001 FOR TUBE  
PK-87831-300 FOR T&R



THIS DRAWING CONTAINS INFORMATION THAT IS PROPRIETARY TO MOLEX ELECTRONIC TECHNOLOGIES, LLC AND SHOULD NOT BE USED WITHOUT WRITTEN PERMISSION										
QUALITY SYMBOLS	MIGRATED TO ECTR	EC NO: 170067	DRWN: MUM	CHK'D: CD	REV APPR: GGA	GENERAL TOLERANCES (UNLESS SPECIFIED)		DIMENSION UNITS	SCALE	
						MM	INCH	MM	NTS	
▽A = 0	2017/12/15					4 PLACES ±	±	DRWN BY	DATE	MGRID, SHROUDED HEADER W/SLOT AND STANDOFF, R/A
▽E = 0	2018/04/24					3 PLACES ±	±	ATSEE	2003/10/23	
▽B = 0						2 PLACES ±	0.2	CHK'D BY	DATE	PRODUCT CUSTOMER DRAWING
▽ = 0						1 PLACES ±	±	KCLING	2003/11/07	
▽C = 0						0 PLACES ±	±	APPR BY	DATE	SERIES MATERIAL NUMBER CUSTOMER
▽ = 0								MLONG	2010/11/19	
▽ = 0						ANGULAR TOL = 3.0		DRAWING SIZE	THIRD ANGLE PROJECTION	DOCUMENT NUMBER DOC TYPE DOC PART SHEET NUMBER
▽ = 0						DRAFT WHERE APPLICABLE MUST REMAIN WITHIN DIMENSIONS		A3		SD-87833-010 PSD 001 1 OF 3

PART NO IN TUBE (W/O KAPTON)	PART NO IN T&R (WITH KAPTON)	CKT SIZE	VOID PIN LOCATION	DIMENSION						PLATING OPTION
				A	B	C	D	E	F	
87833-04**	----	4	----	6.65	2.00	5.00	4.85	----	19,20 or 21	
87833-06**	----	6	----	8.65	4.00	7.00	6.85	----		
87833-08**	----	8	----	10.65	6.00	9.00	8.85	----		
87833-10**	----	10	----	12.65	8.00	11.00	10.85	----		
87833-12**	----	12	----	14.65	10.00	13.00	12.85	----		
87833-14**	----	14	----	16.65	12.00	15.00	14.85	8.00		
87833-16**	----	16	----	18.65	14.00	17.00	16.85	10.00		
87833-18**	----	18	----	20.65	16.00	19.00	18.85	12.00		
87833-20**	----	20	----	22.65	18.00	21.00	20.85	14.00		
87833-22**	----	22	----	24.65	20.00	23.00	22.85	16.00		
87833-24**	----	24	----	26.65	22.00	25.00	24.85	18.00		
87833-26**	----	26	----	28.65	24.00	27.00	26.85	20.00		
87833-28**	----	28	----	30.65	26.00	29.00	28.85	22.00		
87833-30**	----	30	----	32.65	28.00	31.00	30.85	24.00		
87833-32**	----	32	----	34.65	30.00	33.00	32.85	26.00		
87833-34**	----	34	----	36.65	32.00	35.00	34.85	28.00		
87833-36**	----	36	----	38.65	34.00	37.00	36.85	30.00		
87833-38**	----	38	----	40.65	36.00	39.00	38.85	32.00		
87833-40**	----	40	----	42.65	38.00	41.00	40.85	34.00		
87833-42**	----	42	----	44.65	40.00	43.00	42.85	36.00		
87833-44**	----	44	----	46.65	42.00	45.00	44.85	38.00		
87833-46**	----	46	----	48.65	44.00	47.00	46.85	40.00		
87833-48**	----	48	----	50.65	46.00	49.00	48.85	42.00		
87833-50**	----	50	----	52.65	48.00	51.00	50.85	44.00		
87833-7000	----	34	21	36.65	32.00	35.00	34.85	28.00	00	
87833-5121	----	26	14	28.65	24.00	27.00	26.85	20.00	21	
87833-5120	----	10	7	12.65	8.00	11.00	10.85	----	20	
87833-5520	----	40	21	42.65	38.00	41.00	40.85	34.00		
87833-5620	----	20	14	22.65	18.00	21.00	20.85	14.00		
87833-5720	----	24	13	26.65	22.00	25.00	24.85	18.00		
87833-5820	----	14	1	16.65	12.00	15.00	14.85	8.00		
87833-2020	87833-7220	20	----	22.65	18.00	21.00	20.85	14.00		
87833-63**	----	8	----	10.65	6.00	9.00	8.85	----	20 OR 21	
87833-53**	----	14	----	16.65	12.00	15.00	14.85	8.00		
87833-5420	----	34	----	36.65	32.00	35.00	34.85	28.00	20	
87833-5920	----	4	----	6.65	2.00	5.00	4.85	----		
87833-6020	----	12	----	14.65	10.00	13.00	12.85	----		
87833-6120	87833-7120	16	----	18.65	14.00	17.00	16.85	10.00		
87833-6220	----	18	----	20.65	16.00	19.00	18.85	12.00		
87833-6420	----	6	----	8.65	4.00	7.00	6.85	----		
87833-65**	----	20	----	22.65	18.00	21.00	20.85	14.00		
87833-65**	----	20	----	22.65	18.00	21.00	20.85	14.00		20 OR 21

PLS REFER TO PART  
87833-\*\*\* FOR CENTER  
LOCKING SLOT OPTION.



QUALITY SYMBOLS										THIS DRAWING CONTAINS INFORMATION THAT IS PROPRIETARY TO MOLEX ELECTRONIC TECHNOLOGIES, LLC AND SHOULD NOT BE USED WITHOUT WRITTEN PERMISSION									
▽A = 0	MIGRATED TO ECTR	2017/12/15	2018/04/24	2018/04/24	GENERAL TOLERANCES (UNLESS SPECIFIED)				DIMENSION UNITS		SCALE								
▽E = 0					MM	INCH	MM	NTS											
▽B = 0					4 PLACES	±	±	DRWN BY	DATE		MGRID, SHROUDED HEADER W/SLOT AND STANDOFF, R/A								
▽ = 0					3 PLACES	±	±	ATSEE	2003/10/23										
▽C = 0					2 PLACES	± 0.2	±	CHK'D BY	DATE		PRODUCT CUSTOMER DRAWING								
▽ = 0					1 PLACES	±	±	KCLING	2003/11/07										
▽ = 0					0 PLACES	±	±	APPR BY	DATE		SERIES: 87833 MATERIAL NUMBER: SEE TABLE CUSTOMER: GENERAL MARKET								
▽ = 0					ANGULAR TOL = 3.0	DRAWING SIZE: A3		THIRD ANGLE PROJECTION											
▽ = 0					DRAFT WHERE APPLICABLE MUST REMAIN WITHIN DIMENSIONS				DRAWING SIZE: A3		THIRD ANGLE PROJECTION		DOCUMENT NUMBER: SD-87833-010 DOC TYPE: PSD DOC PART: 001 SHEET NUMBER: 2 OF 3						
▽ = 0					EC NO: 170067	DRWN: MUM	CHK'D: CD	REV APPR: GGA	MLONG 2010/11/19										

PART NO IN TUBE (W/O KAPTON)	CKT SIZE	VOID PIN LOCATION	DIMENSION						PLATING OPTION
			A	B	C	D	E	F	
87833-6620	28	-	30.65	26.00	29.00	28.85	22.00	3.18	20
87833-67**	30	-	32.65	28.00	31.00	30.85	24.00		20 OR 21
87833-6920	24	-	26.65	22.00	25.00	24.85	18.00	3.27	20

PART NUMBER LEGEND :

87833 - \* \* \* \*

9 PLATING OPTIONS:

- 18 - 0.38µm/15µin PdNi WITH GOLD FLASH IN CONTACT AREA AND 1.88µm/75µin MIN.TIN IN SOLDER TAIL AREA OVER 1.27µm/50µin MIN. NICKEL OVERALL.
- 19 - 0.05 - 0.13µm/2 - 5µin GOLD IN CONTACT AREA AND 1.88µm/75µin MIN.TIN IN SOLDER TAIL AREA OVER 1.27µm/50µin MIN. NICKEL OVERALL.
- 00/ 20 - 0.38µm/15µin GOLD IN CONTACT AREA AND 1.88µm/75µin MIN.TIN IN SOLDER TAIL AREA OVER 1.27µm/50µin MIN. NICKEL OVERALL.
- 21 - 0.76µm/30µin GOLD IN CONTACT AREA AND 1.88µm/75µin MIN.TIN IN SOLDER TAIL AREA OVER 1.27µm/50µin MIN. NICKEL OVERALL.

QUALITY SYMBOLS	THIS DRAWING CONTAINS INFORMATION THAT IS PROPRIETARY TO MOLEX ELECTRONIC TECHNOLOGIES, LLC AND SHOULD NOT BE USED WITHOUT WRITTEN PERMISSION													
▽A = 0	MIGRATED TO ECTR	EC NO: 170067	DRWN: MUM	CHKD: CD	REV APPR: GGA	GENERAL TOLERANCES (UNLESS SPECIFIED)		DIMENSION UNITS	SCALE	<b>molex®</b>				
▽B = 0						MM	NTS							
▽C = 0						2017/12/15	2018/04/24	2018/04/24	MM	INCH	DRWN BY	DATE	MGRID, SHROUDED HEADER W/SLOT AND STANDOFF, R/A	
▽D = 0						4 PLACES	±	±	ATSEE	2003/10/23				
▽E = 0						3 PLACES	±	±	CHK'D BY	DATE	PRODUCT CUSTOMER DRAWING			
▽F = 0						2 PLACES	± 0.2	±	KCLING	2003/11/07				
▽G = 0						1 PLACES	±	±	APPR BY	DATE	SERIES MATERIAL NUMBER CUSTOMER 87833 SEE TABLE GENERAL MARKET			
▽H = 0						0 PLACES	±	±	MLONG	2010/11/19				
▽I = 0						ANGULAR TOL = 3.0		DRAWING SIZE	THIRD ANGLE PROJECTION	DOCUMENT NUMBER DOC TYPE DOC PART SHEET NUMBER SD-87833-010 PSD 001 3 OF 3				
▽J = 0						DRAFT WHERE APPLICABLE MUST REMAIN WITHIN DIMENSIONS		A3						

RELEASE STATUS	P1	RELEASE DATE	2018/04/24	12:56:31
----------------	----	--------------	------------	----------