

**PLEASE CHECK WWW.MOLEX.COM FOR LATEST PART INFORMATION**

**Part Number:** [0398900308](#)  
**Status:** **Active**  
**Overview:** Eurostyle™ Terminal Blocks  
**Description:** 5.00mm Pitch Beau Eurostyle Low Profile, Single Level Modular Terminal Block, 8 Circuits

**Documents:**

[3D Model](#) [RoHS Certificate of Compliance \(PDF\)](#)  
[Drawing \(PDF\)](#)

**Agency Certification**

UL E48521

**General**

Product Family Terminal Blocks  
 Series [39890](#)  
 Application N/A  
 Component Type One Piece  
 Overview [Eurostyle™ Terminal Blocks](#)  
 Product Name Eurostyle™ Fixed Mount  
 Type Euro Block  
 UPC 756054528228

**Physical**

Circuits (Loaded) 8  
 Circuits (maximum) 8  
 Entry Angle Horizontal  
 Flammability 94V-0  
 Lock to Mating Part None  
 Number of Rows 1  
 Orientation Vertical  
 PC Tail Length 3.51mm  
 PCB Retention None  
 PCB Thickness - Recommended 2.40mm  
 Panel Mount No  
 Pitch - Mating Interface 5.00mm  
 Pitch - Termination Interface 5.00mm  
 Polarized to Mating Part No  
 Shrouded Fully  
 Stackable Yes  
 Surface Mount Compatible (SMC) No  
 Temperature Range - Operating 105°C  
 Wire Size AWG 16, 18, 20, 22, 24, 26, 28, 30  
 Wire Size mm² 0.20-1.50

**Electrical**

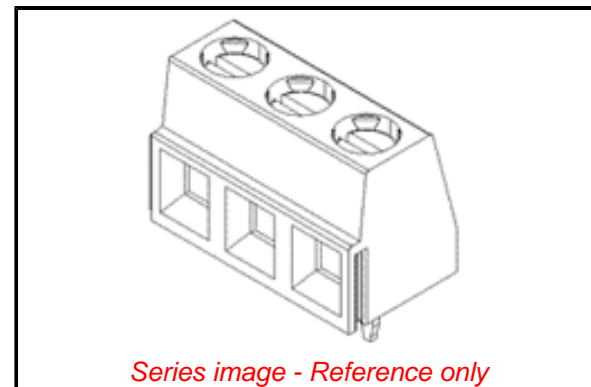
Current - Maximum per Contact 13.5A  
 Voltage - Maximum 300V

**Material Info**

Engineering Number MX-MSB08001-0N

**Reference - Drawing Numbers**

Sales Drawing SD-39890-003



**EU ELV**

**Not Relevant**

**EU RoHS**

**Compliant with Exemption 6(c)**

**REACH SVHC**

Not Contained Per - ED/108/2014 (17 Dec 2014)

**Halogen-Free**

**Status**

**Low-Halogen**

**Need more information on product environmental compliance?**

Email [productcompliance@molex.com](mailto:productcompliance@molex.com)  
 Please visit the [Contact Us](#) section for any non-product compliance questions.

China ROHS	50 Image
ELV	Not Relevant
RoHS Phthalates	Not Relevant

**Search Parts in this Series**

[39890 Series](#)

**PLEASE CHECK [WWW.MOLEX.COM](http://WWW.MOLEX.COM) FOR LATEST PART INFORMATION**