

**PLEASE CHECK WWW.MOLEX.COM FOR LATEST PART INFORMATION**

**Part Number:** [0559591430](#)  
**Status:** **Active**  
**Overview:** MicroClasp™ Wire-to-Board System  
**Description:** 2.00mm Pitch MicroClasp™ Wire-to-Board Header, Dual Row, Right Angle, 14 Circuits

**Documents:**

|  |   |
|--|---|
| <a href="#">3D Model</a>                                 | <a href="#">Product Specification PS-51353-010 (PDF)</a>    |
| <a href="#">Drawing (PDF)</a>                            | <a href="#">Packaging Specification SPK-55959-001 (PDF)</a> |
| <a href="#">Product Specification PS-51353-003 (PDF)</a> | <a href="#">RoHS Certificate of Compliance (PDF)</a>        |

**Agency Certification**

UL E29179

**General**

|                |  |
|----------------|--|
| Product Family | PCB Headers                                      |
| Series         | 55959  |
| Application    | Signal, Wire-to-Board                            |
| MolexKits      | Yes  |
| Overview       | <a href="#">MicroClasp™ Wire-to-Board System</a> |
| Product Name   | MicroClasp™                                      |
| UPC            | 756054218358                                     |

**Physical**

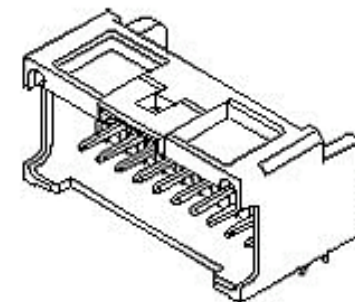
|                                |                |
|--------------------------------|----------------|
| Breakaway                      | No             |
| Circuits (Loaded)              | 14             |
| Circuits (maximum)             | 14             |
| Color - Resin                  | Natural        |
| Durability (mating cycles max) | 30             |
| First Mate / Last Break        | No             |
| Glow-Wire Compliant            | No             |
| Guide to Mating Part           | No             |
| Keying to Mating Part          | None           |
| Lock to Mating Part            | Yes            |
| Material - Plating Mating      | Tin            |
| Material - Plating Termination | Tin            |
| Material - Resin               | Polyester      |
| Net Weight                     | 1900.700/mg    |
| Number of Rows                 | 2              |
| Orientation                    | Right Angle    |
| PC Tail Length                 | 3.20mm         |
| PCB Locator                    | No             |
| PCB Retention                  | Yes            |
| PCB Thickness - Recommended    | 1.60mm         |
| Packaging Type                 | Tray           |
| Pitch - Mating Interface       | 2.00mm         |
| Shrouded                       | Fully          |
| Stackable                      | No             |
| Surface Mount Compatible (SMC) | No             |
| Temperature Range - Operating  | -25°C to +85°C |
| Termination Interface: Style   | Through Hole   |

**Electrical**

|                               |      |
|-------------------------------|------|
| Current - Maximum per Contact | 3.0A |
| Voltage - Maximum             | 250V |

**Material Info**

**Reference - Drawing Numbers**



*Series image - Reference only*

**EU ELV**

**Not Relevant**

**EU RoHS**

**Compliant**

**REACH SVHC**

Not Contained Per  
-ED/79/2015 (17  
December 2015)

**Halogen-Free**

**Status**

**Not Low-Halogen**

**Need more information on product environmental compliance?**

Email [productcompliance@molex.com](mailto:productcompliance@molex.com)  
Please visit the [Contact Us](#) section for any non-product compliance questions.

China ROHS

ELV

Green Image

Not Relevant

**Search Parts in this Series**

[55959 Series](#)

**Mates With**

[51353 MicroClasp™ Wire-to-Board Receptacle Housing](#)

Packaging Specification  
Product Specification

SPK-55959-001  
PS-51353-003, PS-51353-010, RPS-51353-005,  
RPS-51353-008, RPS-51353-009, RPS-51353-010,  
RPS-51353-014, RPS-51353-017, RPS-51353-019,  
RPS-51353-020, RPS-51353-021, RPS-51353-022,  
RPS-51353-023, RPS-51353-024, RPS-51353-025,  
RPS-51353-026, RPS-51353-028, RPS-51353-030,  
RPS-51353-034, RPS-51353-036, RPS-51353-037  
SD-55959-001, SD-55959-003

Sales Drawing

This document was generated on 03/31/2016

**PLEASE CHECK [WWW.MOLEX.COM](http://WWW.MOLEX.COM) FOR LATEST PART INFORMATION**