

PLEASE CHECK WWW.MOLEX.COM FOR LATEST PART INFORMATION

Part Number: [0006023103](#)
Status: **Active**
Overview: Flat Blade
Description: Flat Blade Appliance Motor Switch Crimp Housing, 10 Circuit, 10 Circuits

Documents:

[3D Model](#) [RoHS Certificate of Compliance \(PDF\)](#)
[Drawing \(PDF\)](#)

Agency Certification

CSA LR19980
 UL E29179

General

Product Family Crimp Housings
 Series [6313](#)
 Application Power, Wire-to-Board
 Comments Thumb Depress Latch
 Overview [Flat Blade](#)
 Product Name Flat Blade
 UPC 800753825963

Physical

Circuits (maximum) 10
 Color - Resin Natural
 Flammability 94V-2
 Gender Female
 Glow-Wire Compliant No
 Material - Resin Nylon
 Net Weight 7.107/g
 Number of Rows 1
 Packaging Type Bag
 Panel Mount No
 Pitch - Mating Interface 5.59mm
 Stackable No
 Temperature Range - Operating -40°C to +75°C

Solder Process Data

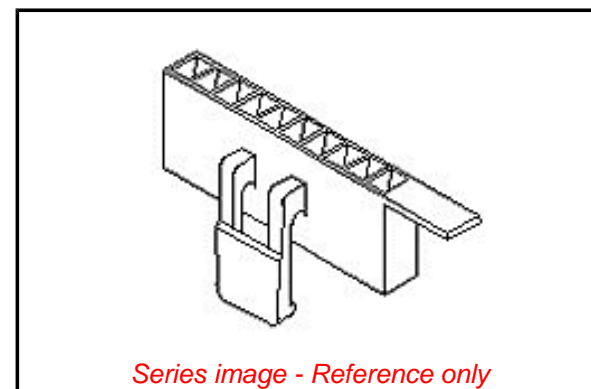
Lead-freeProcess Capability N/A

Material Info

Old Part Number 6313-1-10

Reference - Drawing Numbers

Sales Drawing SD-6313-1-10



EU ELV

Not Relevant

EU RoHS

Compliant

China RoHS

REACH SVHC

Not Contained Per
 -ED/79/2015 (17
 December 2015)

Halogen-Free

Status

Low-Halogen

**Need more information on product
 environmental compliance?**

Email productcompliance@molex.com
 Please visit the [Contact Us](#) section for any
 non-product compliance questions.

China ROHS
 ELV

Green Image
 Not Relevant

Search Parts in this Series

[6313](#) Series

Mates With

Appliance Motor

Use With

[1508](#) Crimp Terminals, [43374](#)

PLEASE CHECK WWW.MOLEX.COM FOR LATEST PART INFORMATION