

PLEASE CHECK WWW.MOLEX.COM FOR LATEST PART INFORMATION

Part Number: **0430450420**
Status: **Active**
Overview: Micro-Fit 3.0 Connector System Product Family
Description: Micro-Fit 3.0™ Vertical Header, 3.00mm Pitch, Dual Row, 4 Circuits, with Solder Tab, Gold, Glow Wire Capable, Black

Documents:

| | |
|--|--|
| 3D Model | Product Specification TS-43045-002-001 (PDF) |
| Drawing (PDF) | Product Specification TS-46235-001-001 (PDF) |
| Product Specification PS-43045 (PDF) | RoHS Certificate of Compliance (PDF) |
| Product Specification TS-43045-001-001 (PDF) | Product Literature (PDF) |

Agency Certification

| | |
|-----|---------|
| CSA | LR19980 |
| UL | E29179 |

General

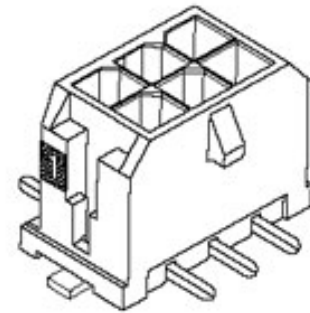
| | |
|----------------|---|
| Product Family | PCB Headers |
| Series | 43045 |
| Application | Power, Wire-to-Board |
| Comments | "High Temperature Square Pin Solder Type<P><P>This Molex product is manufactured from material that has the following ratings, tested by independent agencies:. a) A Glow Wire Ignition Temperature (GWIT) of at least 775 deg C per IEC 60695-2-13.. b) A Glow Wire Flammability Index (GWFI) above 850 deg C per IEC 60695-2-12.and hence complies with the requirements set out in the International Standard IEC 60335-1 5th edition - household and similar electrical appliances - safety, section 30 Resistance to heat and fire. <P><P> The customers using this product must determine its suitability for use in their particular application through testing or other acceptable means as described in end-product glow-wire flammability test standard IEC 60695-2-11 and any applicable product end-use standard(s). <P> If it is determined during the customer's evaluation of suitability, that higher performance is required, please contact Molex for possible product options." |

Overview

| | |
|-----------------------------|---|
| Product Literature Order No | Micro-Fit 3.0 Connector System Product Family |
| Product Name | 987650-5984 |
| UPC | Micro-Fit 3.0™ 800754370745 |

Physical

| | |
|--------------------------------|--------------------------------|
| Breakaway | No |
| Circuits (Loaded) | 4 |
| Circuits (maximum) | 4 |
| Color - Resin | Black |
| Durability (mating cycles max) | 30 |
| Flammability | 94V-0 |
| Glow-Wire Compliant | Yes |
| Mated Height | 17.64mm |
| Material - Metal | Brass |
| Material - Plating Mating | Gold |
| Material - Plating Termination | Tin |
| Material - Resin | High Temperature Thermoplastic |



Series image - Reference only

EU ELV

Not Relevant

EU RoHS

Compliant

REACH SVHC

Not Contained Per - ED/30/2017 (7 July 2017)

Halogen-Free

Status

Low-Halogen

Need more information on product environmental compliance?

Email productcompliance@molex.com
Please visit the [Contact Us](#) section for any non-product compliance questions.

China ROHS

ELV

RoHS Phthalates

Green Image

Not Relevant

Not Contained

Search Parts in this Series

[43045 Series](#)

Mates With

Micro-Fit 3.0™ Receptacle Housing [43025](#)

Micro-Fit TPA Receptacle Housing [172952](#)

| | |
|--|---|
| Net Weight | 0.969/g |
| Number of Rows | 2 |
| Orientation | Vertical |
| PCB Locator | Yes |
| PCB Retention | Yes |
| PCB Thickness - Recommended | 1.60mm |
| Packaging Type | Embossed Tape on Reel |
| Pitch - Mating Interface | 3.00mm |
| Plating min - Mating | 0.762µm |
| Polarized to PCB | Yes |
| Shrouded | Fully |
| Stackable | No |
| Surface Mount Compatible (SMC) | N/A |
| Temperature Range - Operating | -40°C to +105°C |
| Termination Interface: Style | Surface Mount |
| Electrical | |
| Current - Maximum per Contact | 5.0A |
| Voltage - Maximum | 600V |
| Solder Process Data | |
| Duration at Max. Process Temperature (seconds) | 030 |
| Lead-free Process Capability | REFLOW |
| Max. Cycles at Max. Process Temperature | 003 |
| Process Temperature max. C | 260 |
| Material Info | |
| Reference - Drawing Numbers | |
| Product Specification | PS-43045, TS-43045-001-001, TS-43045-002-001, TS-46235-001-001 |
| Sales Drawing | SD-43045-007 |

This document was generated on 08/31/2017

PLEASE CHECK WWW.MOLEX.COM FOR LATEST PART INFORMATION