

PLEASE CHECK WWW.MOLEX.COM FOR LATEST PART INFORMATION

Part Number: [5055680472](#)

Status: **Active**

Overview: [Micro-Lock Plus Wire-to-Board Connector System](#)

Description: 1.25mm Pitch, Micro-Lock Plus PCB Header, Single Row, Vertical, Surface Mount, Tin-Bismuth Plating, Positive Lock, 4 Circuits, with Pick-and-Place Polyimide Tape, Red

Documents:

[3D Model \(PDF\)](#)

[Drawing \(PDF\)](#)

[3D Model](#)

[Product Specification 5055650000-000 \(PDF\)](#)

[Product Specification 5055651000-PS-000 \(PDF\)](#)

[Product Specification 5055651002-PS-000 \(PDF\)](#)

[Application Specification AS-505565-001-001 \(PDF\)](#)

[Packaging Specification 5055689200-200 \(PDF\)](#)

[Datasheet \(PDF\)](#)

[RoHS Certificate of Compliance \(PDF\)](#)

Agency Certification

UL E29179

General

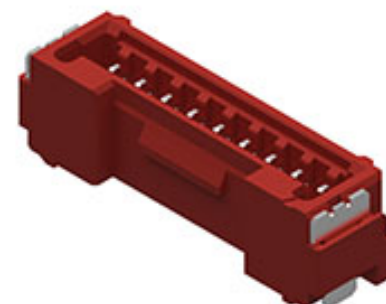
Product Family	PCB Headers
Series	505568
Application	Signal, Wire-to-Board
Overview	Micro-Lock Plus Wire-to-Board Connector System
Product Name	Micro-Lock Plus
UPC	889056556736

Physical

Breakaway	No
Circuits (Loaded)	4
Circuits (maximum)	4
Color - Resin	Red
Durability (mating cycles max)	30
First Mate / Last Break	No
Glow-Wire Capable	No
Guide to Mating Part	No
Keying to Mating Part	None
Lock to Mating Part	Yes
Material - Metal	Brass
Material - Plating Mating	Tin-Bismuth
Material - Plating Termination	Tin-Bismuth
Material - Resin	Polyamide
Net Weight	159.920/mg
Number of Rows	1
Orientation	Vertical
PCB Locator	No
PCB Retention	Yes
Packaging Type	Embossed Tape on Reel
Pitch - Mating Interface	1.25mm
Pitch - Termination Interface	1.25mm
Plating min - Mating	1.000µm
Polarized to Mating Part	Yes
Polarized to PCB	Yes
Robotic Placement	Vacuum Pick-Up Tape
Stackable	No
Temperature Range - Operating	-40° to +105°C
Termination Interface: Style	Surface Mount

Electrical

Current - Maximum per Contact 1.5A



Series image - Reference only

EU ELV

Not Relevant

EU RoHS

Compliant

REACH SVHC

Not Contained Per -
D(2020)9139-DC (19
Jan 2021)

Halogen-Free

Status

Not Low-Halogen

For more information, please visit [Contact US](#)

China ROHS

ELV

RoHS Phthalates

China RoHS

Green Image

Not Relevant

Not Contained

Search Parts in this Series

[505568](#) Series

Mates With

[Micro-Lock Plus Receptacle Housing](#)
[505565](#) . [Micro-Lock Plus Cable Assembly](#)
[45111](#)

Voltage - Maximum

50V AC (RMS)/DC

Material Info

Reference - Drawing Numbers

Application Specification

AS-505565-001-001

Packaging Specification

5055689200-200

Product Specification

5055650000-000, 5055651000-PS-000, 5055651002-PS-000

Sales Drawing

5055680000-SD-000

This document was generated on 03/10/2021

PLEASE CHECK WWW.MOLEX.COM FOR LATEST PART INFORMATION