

PLEASE CHECK WWW.MOLEX.COM FOR LATEST PART INFORMATION

Part Number: [0019092016](#)
Status: **Active**
Overview: Standard .093" Pin and Socket Connectors
Description: 2.36mm Diameter Standard .093" Pin and Socket Plug Housing with Positive Latch, UL 94V-0, 1 Circuit

Documents:

[3D Model](#) [Product Specification PS-02-09 \(PDF\)](#)
[Drawing \(PDF\)](#) [RoHS Certificate of Compliance \(PDF\)](#)

Agency Certification

CSA LR19980
 UL E29179

General

Product Family Crimp Housings
 Series [3191](#)
 Application Power, Wire-to-Wire
 Comments Polarized to Mating Part, without Mounting Ears
 Overview [Standard .093" Pin and Socket Connectors](#)
 Product Name Standard .093"
 UPC 800753872448

Physical

Breakaway No
 Circuits (maximum) 1
 Color - Resin Natural
 Flammability 94V-0
 Gender Plug
 Glow-Wire Compliant No
 Keying to Mating Part None
 Lock to Mating Part Yes
 Material - Resin Nylon
 Net Weight 1.300/g
 Number of Rows 1
 Packaging Type Bag
 Panel Mount No
 Pitch - Mating Interface N/A
 Polarized to Mating Part Yes
 Stackable No
 Temperature Range - Operating -40°C to +105°C

Electrical

Current - Maximum per Contact 12.0A

Solder Process Data

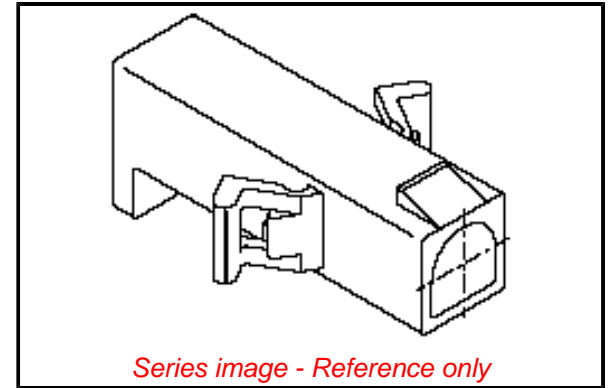
Lead-free Process Capability N/A

Material Info

Engineering Number 3191-1P1-201

Reference - Drawing Numbers

Product Specification PS-02-09
 Sales Drawing SD-3191-1*



EU ELV

Not Relevant

EU RoHS

Compliant

REACH SVHC

Not Contained Per -
 ED/30/2017 (7 July
 2017)

Halogen-Free

Status

Low-Halogen

**Need more information on product
 environmental compliance?**

Email productcompliance@molex.com
 Please visit the [Contact Us](#) section for any
 non-product compliance questions.

China ROHS	Green Image
ELV	Not Relevant
RoHS Phthalates	Not Contained

Search Parts in this Series

[3191 Series](#)

Mates With

[19-09-1016](#) , [19-09-1019](#)

Use With

[1189](#) Crimp Terminals, [1190](#) Crimp
 Terminals, [1380](#) Male Crimp Terminals,
[1381](#) Female Crimp Terminals, [1433](#) Crimp
 Terminals, [1434](#) Male Crimp Terminals,
[2605](#) , [2606](#) , [1973](#) , [2151](#) , [2273](#) , [2870](#) ,
[2871](#) , [4272](#)

PLEASE CHECK WWW.MOLEX.COM FOR LATEST PART INFORMATION