

PLEASE CHECK WWW.MOLEX.COM FOR LATEST PART INFORMATION

Part Number: [0192120003](#)
Status: **Active**
Overview: [Wire Pins](#)
Description: InsulKrimp™ Wire Pin Terminal for 22-18 AWG Wire

Documents:

[Drawing \(PDF\)](#) [Product Specification PS-19902-013-001 \(PDF\)](#)
[Product Specification PS-19902-011-001 \(PDF\)](#) [RoHS Certificate of Compliance \(PDF\)](#)

Agency Certification

CSA LR18689
 UL E32244

General

Product Family Crimp Terminals
 Series [19212](#)
 Application Power
 Comments Pin Length 9.40mm
 Crimp Quality Equipment Yes
 MolexKits Yes
 Overview [Wire Pins](#)
 Packaging Alternative [19212-0004](#) (Adhesive Tape on Reel)
 Product Name Wire Pin
 UPC 800753053335

Physical

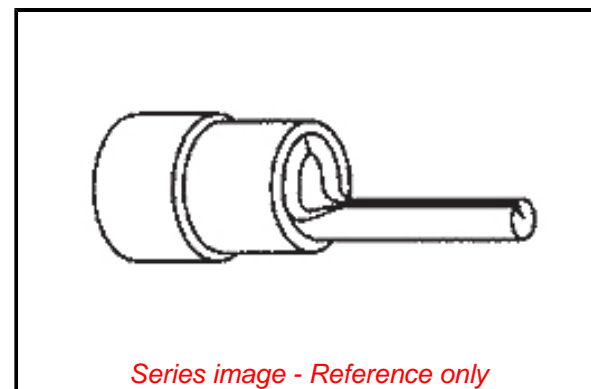
Flammability 94V-0
 Gender Male
 Material - Metal Copper
 Material - Plating Mating Tin
 Net Weight 0.689/g
 Packaging Type Bag
 Plating min - Mating 1.016µm
 Termination Interface: Style Crimp or Compression
 Wire Insulation Diameter 3.68mm max.
 Wire Size AWG 18, 19, 20, 22
 Wire Size mm² N/A

Material Info

Engineering Number WP-2218X

Reference - Drawing Numbers

Product Specification PS-19902-011-001, PS-19902-013-001
 Sales Drawing SD-19212-001



EU ELV

Not Relevant

EU RoHS

Compliant

REACH SVHC

Not Contained Per -
 ED/108/2014 (17 Dec
 2014)

Halogen-Free

Status

Not Low-Halogen

**Need more information on product
 environmental compliance?**

Email productcompliance@molex.com
 Please visit the [Contact Us](#) section for any
 non-product compliance questions.

China ROHS

ELV

RoHS Phthalates

Green Image

Not Relevant

Not Contained

Search Parts in this Series

[19212 Series](#)