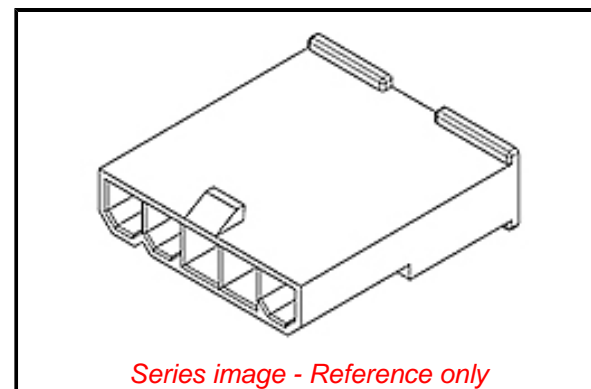


**PLEASE CHECK WWW.MOLEX.COM FOR LATEST PART INFORMATION**

**Part Number:** [0039014037](#)  
**Status:** **Active**  
**Overview:** Mini-Fit Jr. Power Connectors  
**Description:** Mini-Fit Jr.™ Plug Housing, Single Row, 3 Circuits, UL 94V-0, without Panel Mounting Ears, Natural

**Documents:**

<a href="#">3D Model</a>	<a href="#">Product Specification TS-5556-002-001 (PDF)</a>
<a href="#">Drawing (PDF)</a>	<a href="#">Application Specification AS-5557-001-001 (PDF)</a>
<a href="#">Product Specification PS-45750-001-001 (PDF)</a>	<a href="#">Packaging Specification PK-5559-003-001 (PDF)</a>
<a href="#">Product Specification PS-5556-001 (PDF)</a>	<a href="#">RoHS Certificate of Compliance (PDF)</a>



**Agency Certification**

CSA	LR19980
UL	E29179

**General**

Product Family	Crimp Housings
Series	<a href="#">5559</a>
Application	Power, Wire-to-Board, Wire-to-Wire
Comments	Current = 13A max. per circuit when header is mated to a receptacle loaded with <a href="#">45750</a> series terminals crimped to 16 AWG wire. . See Molex product specification PS-45750-001 for additional current derating information.
Overview	<a href="#">Mini-Fit Jr. Power Connectors</a>
Product Name	Mini-Fit Jr.™
UPC	800753683747

**Physical**

Breakaway	No
Circuits (maximum)	3
Color - Resin	Natural
Flammability	94V-0
Gender	Plug
Glow-Wire Compliant	No
Keying to Mating Part	None
Lock to Mating Part	Yes
Material - Resin	Nylon
Net Weight	1.131/g
Number of Rows	1
Packaging Type	Bag
Panel Mount	No
Pitch - Mating Interface	4.20mm
Pitch - Termination Interface	4.20mm
Polarized to Mating Part	Yes
Stackable	No
Temperature Range - Operating	-40°C to +105°C

**Electrical**

Current - Maximum per Contact	13.0A
-------------------------------	-------

**Solder Process Data**

Lead-free Process Capability	N/A
------------------------------	-----

**Material Info**

Engineering Number	5559-03P3-210
--------------------	---------------

**EU ELV**

**Compliant**

**EU RoHS**

**Compliant**

**REACH SVHC**

Not Contained Per - ED/30/2017 (7 July 2017)

**Halogen-Free**

**Status**

**Low-Halogen**

**Need more information on product environmental compliance?**

Email [productcompliance@molex.com](mailto:productcompliance@molex.com)  
Please visit the [Contact Us](#) section for any non-product compliance questions.

China ROHS	Green Image
ELV	Compliant
RoHS Phthalates	Not Contained

**Search Parts in this Series**

[5559](#) Series

**Mates With**

Receptacle Housing [39-01-4031](#)

**Use With**

[5558](#) Mini-Fit Jr.™ Male Crimp Terminals.  
[30490](#) Mini-Fit® Male Grounding Crimp Terminals

**Reference - Drawing Numbers**

Application Specification

AS-5557-001-001

Packaging Specification

PK-5559-003-001

Product Specification

PS-45750-001-001, PS-5556-001, TS-5556-002-001

Sales Drawing

SD-5559-03P\*

This document was generated on 07/28/2017

**PLEASE CHECK [WWW.MOLEX.COM](http://WWW.MOLEX.COM) FOR LATEST PART INFORMATION**