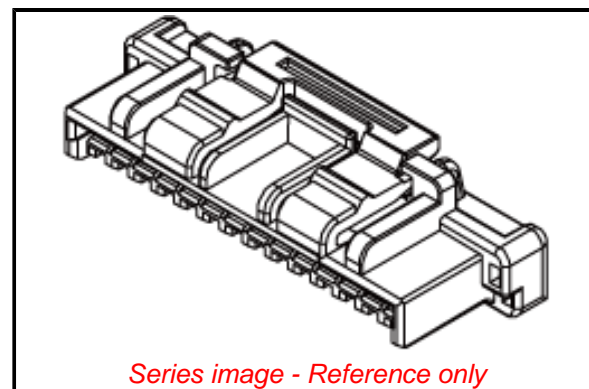


PLEASE CHECK WWW.MOLEX.COM FOR LATEST PART INFORMATION

Part Number: [5025780500](#)
Status: **Active**
Overview: [CLIK-Mate™ Wire-to-Board Connectors](#)
Description: [CLIK-Mate™ Wire-to-Board Housing, Single Row, Positive Lock, 5 Circuits](#)

Documents:

3D Model	Application Specification AS-502578-001-001 (PDF)
Drawing (PDF)	Application Specification AS-502578-002-001 (PDF)
Product Specification PS-502584-001-001 (PDF)	Application Specification AS-503395-001-001 (PDF)
Product Specification PS-503159-001-001 (PDF)	Packaging Specification SPK-502578-001-001 (PDF)
Product Specification PS-503395-001-001 (PDF)	RoHS Certificate of Compliance (PDF)



Agency Certification

UL E29179

General

Product Family	Crimp Housings
Series	502578
Application	Signal, Wire-to-Board
Overview	CLIK-Mate™ Wire-to-Board Connectors
Product Name	CLIK-Mate™
UPC	800756700120

Physical

Circuits (maximum)	5
Color - Resin	Beige
Flammability	SC-0
Gender	Plug
Glow-Wire Compliant	No
Keying to Mating Part	Yes
Lock to Mating Part	Yes
Net Weight	296.000/mg
Number of Rows	1
Packaging Type	Bag
Panel Mount	No
Pitch - Mating Interface	1.50mm
Polarized to Mating Part	Yes
Stackable	No
Temperature Range - Operating	-40°C to +105°C

Electrical

Current - Maximum per Contact 2.0A

Material Info

Reference - Drawing Numbers

Application Specification	AS-502578-001-001, AS-502578-002-001, AS-503395-001-001
Packaging Specification	SPK-502578-001-001
Product Specification	PS-502584-001-001, PS-503159-001-001, PS-503395-001-001
Sales Drawing	SD-502578-001

EU ELV

Not Relevant

EU RoHS

Compliant

REACH SVHC

Not Contained Per - ED/30/2017 (7 July 2017)

Halogen-Free

Status

Not Low-Halogen

Need more information on product environmental compliance?

Email productcompliance@molex.com
Please visit the [Contact Us](#) section for any non-product compliance questions.

China ROHS	Green Image
ELV	Not Relevant
RoHS Phthalates	Not Contained

Search Parts in this Series

[502578](#) Series

Mates With

[503395](#) Bottom-Entry Receptacle . [503175](#) Right Angle, Through Hole Receptacle . [502585](#) Right Angle, Surface Mount Receptacle
 [503159](#) Vertical, Through Hole Receptacle
 [502584](#) , [505405](#) Vertical, Surface Mount Receptacle

Use With

[502579](#) Crimp Terminal for 24-28 AWG . [503429](#) Crimp Terminal for 26-30 AWG