

PLEASE CHECK WWW.MOLEX.COM FOR LATEST PART INFORMATION

Part Number: **0761657108**
Status: **Active**
Overview: Impact™ Backplane Connector and Cable Assembly System
Description: Impact™ 100 Ohm 3 Pair Vertical Backplane Header, Left Guide, Right Endwall, 10 Columns, 90 Circuits, Pin Length 5.50mm, Plated Through Hole Dimension 0.39mm, Lead-Free

Documents:

3D Model	Application Specification AS-76060-990-001 (PDF)
Drawing (PDF)	Application Specification AS-76060-9999-001 (PDF)
Product Specification PS-76060-999-001 (PDF)	Packaging Specification PK-70873-758 (PDF)
Product Specification TS-76170-0001-001 (PDF)	RoHS Certificate of Compliance (PDF)

Agency Certification

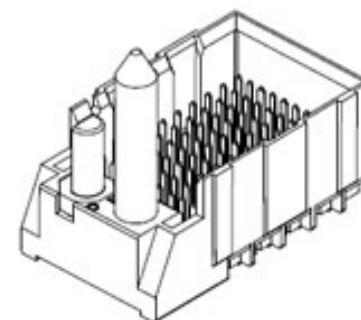
UL E29179

General

Product Family	Backplane Connectors
Series	<u>76165</u>
Application	Conventional
Application Tooling Documents	TM-622018799
Component Type	PCB Header
Overview	<u>Impact™ Backplane Connector and Cable Assembly System</u>
Product Name	Impact™
UPC	883906222994

Physical

Circuits (Loaded)	90
Circuits (maximum)	90
Color - Resin	Black
Durability (mating cycles max)	200
First Mate / Last Break	No
Flammability	94V-0
Guide to Mating Part	Yes
Keying to Mating Part	None
Material - Metal	High Performance Alloy (HPA)
Material - Plating Mating	Gold
Material - Plating Termination	Tin
Material - Resin	High Temperature Thermoplastic
Net Weight	5.422/g
Number of Columns	10
Number of Pairs	3
Number of Rows	9
Orientation	Vertical
PC Tail Length	1.40mm
PCB Locator	No
PCB Retention	None
PCB Thickness - Recommended	1.00mm
Packaging Type	Tray
Pitch - Mating Interface	1.90mm
Pitch - Termination Interface	1.90mm
Plating min - Mating	0.762µm
Polarized to PCB	Yes
Stackable	No
Temperature Range - Operating	-55°C to +85°C
Termination Interface: Style	Through Hole - Compliant Pin



Series image - Reference only

EU ELV

Not Relevant

EU RoHS

Compliant

REACH SVHC

Not Contained Per -
ED/30/2017 (7 July
2017)

Halogen-Free

Status

Low-Halogen

Need more information on product environmental compliance?

Email productcompliance@molex.com
Please visit the [Contact Us](#) section for any non-product compliance questions.

China ROHS	Green Image
ELV	Not Relevant
RoHS Phthalates	Not Contained

Search Parts in this Series

76165 Series

Mates With

76170 Impact™ 100 Ohm Daughtercard

Electrical

Current - Maximum per Contact	0.75A
Data Rate	25.0 Gbps
Impedance	100Ω
Shield Type	N/A
Shielded	No
Voltage - Maximum	30V AC (RMS)/DC

Material Info**Reference - Drawing Numbers**

Application Specification	AS-76060-990-001, AS-76060-9999-001
Packaging Specification	PK-70873-758
Product Specification	PS-76060-999-001, TS-76170-0001-001
Sales Drawing	SD-76165-002
Symbol/Footprint Data	SYM-76165-7108

This document was generated on 08/31/2017

PLEASE CHECK WWW.MOLEX.COM FOR LATEST PART INFORMATION