

PLEASE CHECK WWW.MOLEX.COM FOR LATEST PART INFORMATION

Part Number: [0522710479](#)
Status: **Active**
Overview: FFC-FPC (SMT)
Description: Easy-On™ Type FFC/FPC Connector, Right-Angle, Surface Mount, ZIF, Bottom Contact Style, 4 Circuits, High Barrier Packaging

Documents:

| | |
|--|--|
| 3D Model | Application Specification AS-52271-001-001 (PDF) |
| Drawing (PDF) | Packaging Specification SPK-52271-002-001 (PDF) |
| Product Specification PS-52271-053-001 (PDF) | RoHS Certificate of Compliance (PDF) |

Agency Certification

| | |
|-----|---------|
| CSA | LR19980 |
| UL | E29179 |

General

| | |
|----------------|-------------------------------|
| Product Family | FFC/FPC Connectors |
| Series | 52271 |
| Overview | FFC-FPC (SMT) |
| Product Name | Easy-On™ |
| UPC | 822348147632 |

Physical

| | |
|--------------------------------|-----------------------|
| Circuits (Loaded) | 4 |
| Color - Resin | Natural |
| Contact Position | Bottom |
| Durability (mating cycles max) | 30 |
| Entry Angle | 90° Angle |
| Flammability | 94V-0 |
| Mated Height | 3.00mm |
| Material - Metal | Phosphor Bronze |
| Material - Plating Mating | Tin-Bismuth |
| Material - Plating Termination | Tin-Bismuth |
| Material - Resin | Nylon |
| Net Weight | 100.000/mg |
| Number of Rows | 1 |
| Orientation | Right Angle |
| PCB Locator | No |
| PCB Retention | Yes |
| Packaging Type | Embossed Tape on Reel |
| Pitch - Mating Interface | 1.00mm |
| Pitch - Termination Interface | 1.00mm |
| Polarized to PCB | Yes |
| Stackable | No |
| Temperature Range - Operating | -40°C to +85°C |
| Termination Interface: Style | Surface Mount |
| Wire/Cable Type | FFC/FPC |

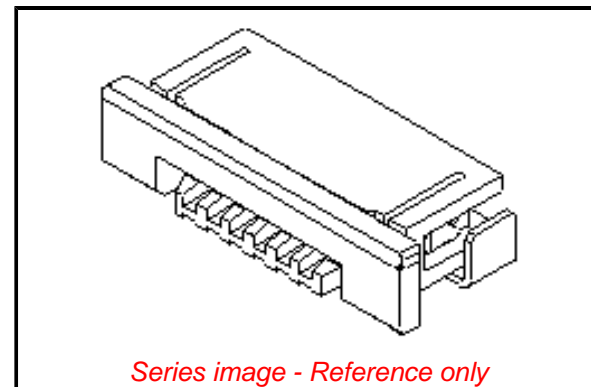
Electrical

| | |
|-------------------------------|-----------------|
| Current - Maximum per Contact | 0.5A |
| Voltage - Maximum | 50V AC (RMS)/DC |

Material Info

Reference - Drawing Numbers

| | |
|---------------------------|-------------------|
| Application Specification | AS-52271-001-001 |
| Packaging Specification | SPK-52271-002-001 |
| Product Specification | PS-52271-053-001 |



EU ELV

Not Relevant

EU RoHS

Compliant

REACH SVHC

Not Contained Per -
ED/30/2017 (7 July
2017)

Halogen-Free

Status

Not Low-Halogen

Need more information on product environmental compliance?

Email productcompliance@molex.com
Please visit the [Contact Us](#) section for any non-product compliance questions.

China ROHS

ELV

RoHS Phthalates

Green Image

Not Relevant

Not Contained

Search Parts in this Series

[52271 Series](#)

Mates With

Molex Premo-Flex FFC. Be sure to match like plating

This document was generated on 08/03/2017

PLEASE CHECK WWW.MOLEX.COM FOR LATEST PART INFORMATION