

**PLEASE CHECK WWW.MOLEX.COM FOR LATEST PART INFORMATION**

**Part Number:** [0192110001](#)  
**Status:** **Active**  
**Overview:** [Wire Pins](#)  
**Description:** Krimptite™ Wire Pin Terminal for 12-10 AWG Wire

**Documents:**

[Drawing \(PDF\)](#) [Product Specification PS-19902-013-001 \(PDF\)](#)  
[Product Specification PS-19902-011-001 \(PDF\)](#) [RoHS Certificate of Compliance \(PDF\)](#)

**Agency Certification**

CSA LR18689  
 UL E32244

**General**

Product Family Crimp Terminals  
 Series [19211](#)  
 Application Power  
 Comments Pin Length 11.43mm  
 Crimp Quality Equipment Yes  
 Overview [Wire Pins](#)  
 Packaging Alternative [19211-0002](#) (Adhesive Tape on Reel)  
 Product Name Wire Pin  
 UPC 800755061994

**Physical**

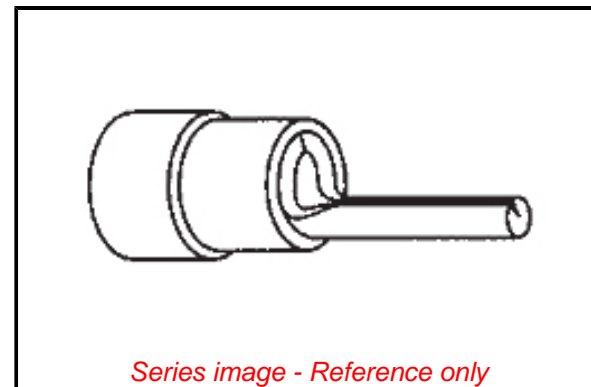
Gender Male  
 Material - Metal Copper  
 Material - Plating Mating Tin  
 Net Weight 1.465/g  
 Packaging Type Bag  
 Plating min - Mating 1.016µm  
 Termination Interface: Style Crimp or Compression  
 Wire Insulation Diameter 3.45mm max.  
 Wire Size AWG 10, 12  
 Wire Size mm² N/A

**Material Info**

Engineering Number WP-1210

**Reference - Drawing Numbers**

Product Specification PS-19902-011-001, PS-19902-013-001  
 Sales Drawing SD-19211-002



*Series image - Reference only*

**EU ELV**

**Not Relevant**

**EU RoHS**

**Compliant**

**REACH SVHC**

Not Contained Per -  
 ED/30/2017 (7 July  
 2017)

**Halogen-Free**

**Status**

**Low-Halogen**

**Need more information on product  
 environmental compliance?**

Email [productcompliance@molex.com](mailto:productcompliance@molex.com)  
 Please visit the [Contact Us](#) section for any  
 non-product compliance questions.

China ROHS

ELV

RoHS Phthalates

Green Image

Not Relevant

Not Contained

**Search Parts in this Series**

[19211 Series](#)