

PLEASE CHECK WWW.MOLEX.COM FOR LATEST PART INFORMATION

Part Number: **0557634070**
Status: **Active**
Overview: MicroClasp™ Wire-to-Board System
Description: 2.00mm Pitch MicroClasp™ Wire-to-Board Header, Surface Mount, Dual Row, Vertical, 40 Circuits

Documents:

[3D Model](#) [Product Specification PS-51242-002-001 \(PDF\)](#)
[Drawing \(PDF\)](#) [RoHS Certificate of Compliance \(PDF\)](#)

General

Product Family	PCB Headers
Series	55763
Application	Signal, Wire-to-Board
Overview	MicroClasp™ Wire-to-Board System
Product Name	MicroClasp™
UPC	822348264797

Physical

Breakaway	No
Circuits (Loaded)	40
Circuits (maximum)	40
Color - Resin	Natural
Durability (mating cycles max)	30
First Mate / Last Break	No
Glow-Wire Compliant	No
Guide to Mating Part	No
Keying to Mating Part	None
Lock to Mating Part	Yes
Material - Plating Mating	Tin
Material - Plating Termination	Tin
Material - Resin	High Temperature Thermoplastic
Net Weight	4345.000/mg
Number of Rows	2
Orientation	Vertical
PC Tail Length	4.50mm
PCB Locator	No
PCB Retention	Yes
Packaging Type	Embossed Tape on Reel
Pitch - Mating Interface	2.00mm
Shrouded	Fully
Stackable	No
Temperature Range - Operating	-25°C to +85°C
Termination Interface: Style	Surface Mount

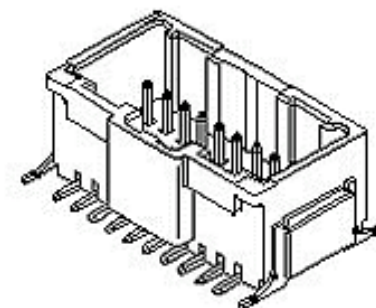
Electrical

Current - Maximum per Contact	3.0A
Voltage - Maximum	250V

Material Info

Reference - Drawing Numbers

Product Specification	PS-51242-002-001
Sales Drawing	SD-55763-006, SD-55763-007



Series image - Reference only

EU ELV

Not Relevant

EU RoHS

Compliant

REACH SVHC

Not Contained Per -
ED/30/2017 (7 July
2017)

Halogen-Free

Status

Not Low-Halogen

**Need more information on product
environmental compliance?**

Email productcompliance@molex.com
Please visit the [Contact Us](#) section for any
non-product compliance questions.

China ROHS	Green Image
ELV	Not Relevant
RoHS Phthalates	Not Contained

Search Parts in this Series

[55763 Series](#)

Mates With

[51242 MicroClasp™ Wire-to-Board
Receptacle Housing](#)

PLEASE CHECK WWW.MOLEX.COM FOR LATEST PART INFORMATION