

PLEASE CHECK WWW.MOLEX.COM FOR LATEST PART INFORMATION

Part Number: [0003092121](#)
Status: **Active**
Overview: Standard .093" Pin and Socket Connectors
Description: 2.36mm Diameter Standard .093" Pin and Socket Plug Housing, 12 Circuits, 3 Rows

Documents:

3D Model	Product Specification PS-43660-9999-001 (PDF)
Drawing (PDF)	Packaging Specification PK-1360-001 (PDF)
Product Specification PS-02-09 (PDF)	RoHS Certificate of Compliance (PDF)
Product Specification PS-42477-001 (PDF)	

Agency Certification

CSA	LR19980
UL	E29179

General

Product Family	Crimp Housings
Series	1360
Application	Power, Wire-to-Wire
Comments	12.5A max. can be achieved when housing is used with 42477 or 42478 terminals
Overview	Standard .093" Pin and Socket Connectors
Product Name	Standard .093"
UPC	800753614895

Physical

Circuits (maximum)	12
Color - Resin	Natural
Flammability	94V-2
Gender	Plug
Glow-Wire Compliant	No
Material - Resin	Nylon
Net Weight	4.416/g
Number of Rows	3
Packaging Type	Bag
Panel Mount	No
Pitch - Mating Interface	5.03mm
Stackable	No
Temperature Range - Operating	-40°C to +105°C

Electrical

Current - Maximum per Contact	9.5A
-------------------------------	------

Solder Process Data

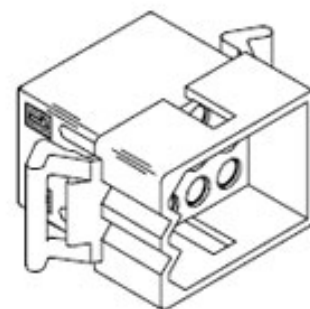
Lead-free Process Capability	N/A
------------------------------	-----

Material Info

Engineering Number	1360-P
--------------------	--------

Reference - Drawing Numbers

Packaging Specification	PK-1360-001
Product Specification	PS-02-09, PS-42477-001, PS-43660-9999-001
Sales Drawing	SD-1360-*



Series image - Reference only

EU ELV

Not Relevant

EU RoHS

Compliant

REACH SVHC

Not Contained Per - ED/30/2017 (7 July 2017)

Halogen-Free

Status

Low-Halogen

Need more information on product environmental compliance?

Email productcompliance@molex.com
Please visit the [Contact Us](#) section for any non-product compliance questions.

China ROHS	Green Image
ELV	Not Relevant
RoHS Phthalates	Not Contained

Search Parts in this Series

[1360 Series](#)

Mates With

[03-09-1121](#) , [03-09-1122](#) , [03-09-1125](#) , [03-09-1126](#)

Use With

[1189 Crimp Terminals](#), [1190 Crimp Terminals](#), [1380 Male Crimp Terminals](#), [1381 Female Crimp Terminals](#), [1433 Crimp Terminals](#), [1434 Male Crimp Terminals](#), [1973](#) , [2151](#) , [2273](#) , [2870](#) , [2871](#) , [4272](#) , Link: [4550](#), [6271](#)