

**PLEASE CHECK WWW.MOLEX.COM FOR LATEST PART INFORMATION**

**Part Number:** [0019092019](#)  
**Status:** **Active**  
**Overview:** Standard .093" Pin and Socket Connectors  
**Description:** 2.36mm Diameter Standard .093" Pin and Socket Plug Housing with Positive Latch, UL 94V-2, without Panel Mount, 1 Circuit

**Documents:**

[3D Model](#) [Product Specification PS-02-09 \(PDF\)](#)  
[Drawing \(PDF\)](#) [RoHS Certificate of Compliance \(PDF\)](#)

**Agency Certification**

CSA LR19980  
 UL E29179

**General**

Product Family Crimp Housings  
 Series [3191](#)  
 Application Power, Wire-to-Wire  
 Comments Polarized to Mating Part, without Mounting Ears  
 Overview [Standard .093" Pin and Socket Connectors](#)  
 Product Name Standard .093"  
 UPC 800753594128

**Physical**

Breakaway No  
 Circuits (maximum) 1  
 Color - Resin Natural  
 Flammability 94V-2  
 Gender Plug  
 Glow-Wire Compliant No  
 Keying to Mating Part None  
 Lock to Mating Part Yes  
 Material - Resin Nylon  
 Net Weight 1.655/g  
 Number of Rows 1  
 Packaging Type Bag  
 Panel Mount No  
 Pitch - Mating Interface N/A  
 Polarized to Mating Part Yes  
 Stackable No  
 Temperature Range - Operating -40°C to +105°C

**Electrical**

Current - Maximum per Contact 12.0A

**Solder Process Data**

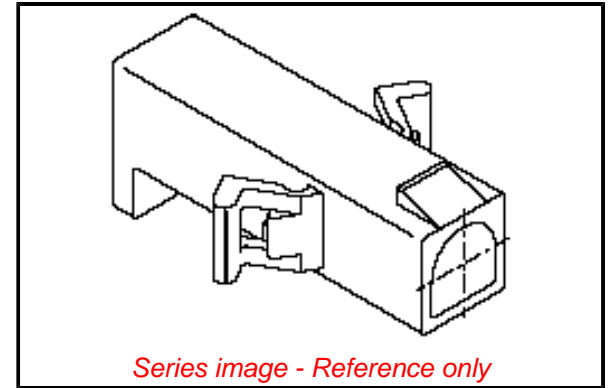
Lead-free Process Capability N/A

**Material Info**

Engineering Number 3191-1P1

**Reference - Drawing Numbers**

Product Specification PS-02-09  
 Sales Drawing SD-3191-1\*



**EU ELV**

**Not Relevant**

**EU RoHS**

**Compliant**

**REACH SVHC**

Not Contained Per -  
 ED/30/2017 (7 July  
 2017)

**Halogen-Free**

**Status**

**Low-Halogen**

**Need more information on product  
 environmental compliance?**

Email [productcompliance@molex.com](mailto:productcompliance@molex.com)  
 Please visit the [Contact Us](#) section for any  
 non-product compliance questions.

China ROHS	Green Image
ELV	Not Relevant
RoHS Phthalates	Not Contained

**Search Parts in this Series**

[3191 Series](#)

**Mates With**

[19-09-1016](#) , [19-09-1019](#)

**Use With**

[1189](#) Crimp Terminals, [1190](#) Crimp  
 Terminals, [1380](#) Male Crimp Terminals,  
[1381](#) Female Crimp Terminals, [1433](#) Crimp  
 Terminals, [1434](#) Male Crimp Terminals,  
[2605](#) , [2606](#) , [1973](#) , [2151](#) , [2273](#) , [2870](#) ,  
[2871](#) , [4272](#)

**PLEASE CHECK [WWW.MOLEX.COM](http://WWW.MOLEX.COM) FOR LATEST PART INFORMATION**