

PLEASE CHECK WWW.MOLEX.COM FOR LATEST PART INFORMATION

Part Number: **0713491038**
Status: **Active**
Overview: C-Grid® Products
Description: 2.54mm Pitch C-Grid® Header, Surface Mount, Dual Row, Vertical, Shrouded, 12 Circuits, 0.38µm Gold (Au) Selective Plating, without Press-fit Plastic Pegs

Documents:

3D Model	Product Specification TS-70541-001-001 (PDF)
Drawing (PDF)	Packaging Specification PK-70873-0018 (PDF)
Product Specification PS-71349-001-001 (PDF)	RoHS Certificate of Compliance (PDF)

Agency Certification

UL E29179

General

Product Family	PCB Headers
Series	71349
Application	Signal, Wire-to-Board
Overview	C-Grid® Products
Product Name	C-Grid®
UPC	800753784505

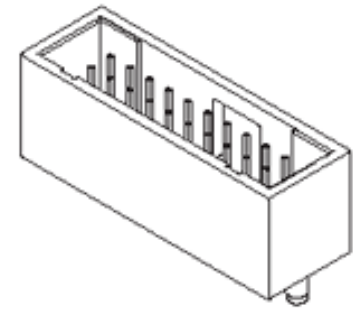
Physical

Breakaway	No
Circuits (Loaded)	12
Circuits (maximum)	12
Color - Resin	Black
Durability (mating cycles max)	50
First Mate / Last Break	No
Flammability	94V-0
Glow-Wire Compliant	No
Guide to Mating Part	No
Keying to Mating Part	None
Lock to Mating Part	Yes
Material - Metal	Brass, Phosphor Bronze
Material - Plating Mating	Gold
Material - Plating Termination	Tin
Material - Resin	High Temperature Thermoplastic
Number of Rows	2
Orientation	Vertical
PCB Locator	No
PCB Retention	None
Packaging Type	Tube
Pitch - Mating Interface	2.54mm
Pitch - Termination Interface	2.54mm
Plating min - Mating	0.381µm
Plating min - Termination	1.905µm
Polarized to Mating Part	Yes
Shrouded	Fully
Stackable	No
Temperature Range - Operating	-40°C to +105°C
Termination Interface: Style	Surface Mount

Electrical

Current - Maximum per Contact	3.0A
Voltage - Maximum	250V

Solder Process Data



Series image - Reference only

EU ELV

Not Relevant

EU RoHS

Not Reviewed

REACH SVHC

Not Reviewed

Halogen-Free

Status

Not Reviewed

Need more information on product environmental compliance?

Email productcompliance@molex.com
Please visit the [Contact Us](#) section for any non-product compliance questions.

China ROHS	Not Reviewed
------------	--------------

ELV	Not Relevant
-----	--------------

RoHS Phthalates	Not Reviewed
-----------------	--------------

Search Parts in this Series

[71349 Series](#)

Mates With

[70013](#) Interim Clip, [70450](#) Version A Crimp Housing, [71850](#) Through-hole Receptacle, [71395](#) SMT Receptacle

Duration at Max. Process Temperature (seconds)	030
Lead-freeProcess Capability	REFLOW
Max. Cycles at Max. Process Temperature	003
Process Temperature max. C	245

Material Info

Reference - Drawing Numbers

Packaging Specification	PK-70873-0018
Product Specification	PS-71349-001-001, TS-70541-001-001
Sales Drawing	SDA-71349-****

This document was generated on 08/30/2017

PLEASE CHECK WWW.MOLEX.COM FOR LATEST PART INFORMATION