

**PLEASE CHECK WWW.MOLEX.COM FOR LATEST PART INFORMATION**

**Part Number:** [0351510610](#)  
**Status:** **Active**  
**Overview:** VersaBlade™ Wire-to-Wire Connector System  
**Description:** Wire-to-Wire VersaBlade™ Hybrid Receptacle Housing, 6 Circuits, Polyester UL94V-0, Natural

**Documents:**

[3D Model](#) [Packaging Specification PK-35151-006-001 \(PDF\)](#)  
[Drawing \(PDF\)](#) [RoHS Certificate of Compliance \(PDF\)](#)  
[Product Specification PS-35150-003-001 \(PDF\)](#)

**Agency Certification**

CSA LR19980  
 UL E29179

**General**

Product Family Crimp Housings  
 Series [35151](#)  
 Application Power, Wire-to-Wire  
 Comments Polarized to Mating Part, Positive Lock  
 Overview [VersaBlade™ Wire-to-Wire Connector System](#)  
 Product Name VersaBlade™  
 UPC 800753876835

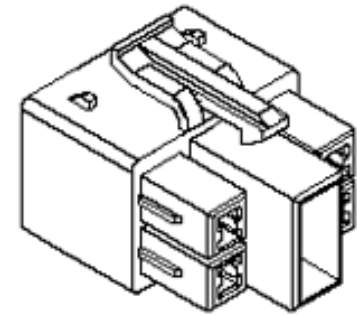
**Physical**

Circuits (maximum) 6  
 Color - Resin Natural  
 Flammability 94V-0  
 Gender Receptacle  
 Glow-Wire Compliant No  
 Keying to Mating Part None  
 Lock to Mating Part Yes  
 Material - Resin Polyester  
 Net Weight 4.800/g  
 Number of Rows 2  
 Packaging Type Bag  
 Panel Mount No  
 Pitch - Mating Interface 7.30mm  
 Pitch - Termination Interface 7.30mm  
 Polarized to Mating Part Yes  
 Stackable No  
 Temperature Range - Operating -40°C to +120°C

**Material Info**

**Reference - Drawing Numbers**

Packaging Specification PK-35151-006-001  
 Product Specification PS-35150-003-001  
 Sales Drawing SD-35151-061\*



Series image - Reference only

**EU ELV**

**Not Relevant**

**EU RoHS**

**Compliant**

**REACH SVHC**

Not Contained Per -  
 ED/30/2017 (7 July  
 2017)

**Halogen-Free**

**Status**

**Not Low-Halogen**

**Need more information on product  
 environmental compliance?**

Email [productcompliance@molex.com](mailto:productcompliance@molex.com)  
 Please visit the [Contact Us](#) section for any  
 non-product compliance questions.

China ROHS

ELV

RoHS Phthalates

Green Image

Not Relevant

Not Contained

**Search Parts in this Series**

[35151](#) Series

**Mates With**

[35150-0610](#) Plug Housing

**Use With**

VersaBlade™ Crimp Terminals [35748](#) (ckt 1, 6), [35745](#) (ckt 2, 5), [35746](#) (ckt 3, 4),  
 VersaBlade™ TPA [35150](#)