

PLEASE CHECK WWW.MOLEX.COM FOR LATEST PART INFORMATION

Part Number: **0747370016**
Status: **Active**
Overview: SFP+ and SFP Interconnect Solutions
Description: SFP One Piece Cage, EMI Shielding, 3.05mm Press-Fit Tails, for PCI Applications

Documents:

[3D Model](#) [Packaging Specification PK-74737-0016 \(PDF\)](#)
[Drawing \(PDF\)](#) [RoHS Certificate of Compliance \(PDF\)](#)
[Application Specification AS-74737-001 \(PDF\)](#)

General

Product Family	EMI Cages
Series	74737
Application	Module-to-Board
Comments	For PCI Applications
Component Type	Cage Assembly
Overview	SFP+ and SFP Interconnect Solutions
Product Name	SFP
UPC	822350183925

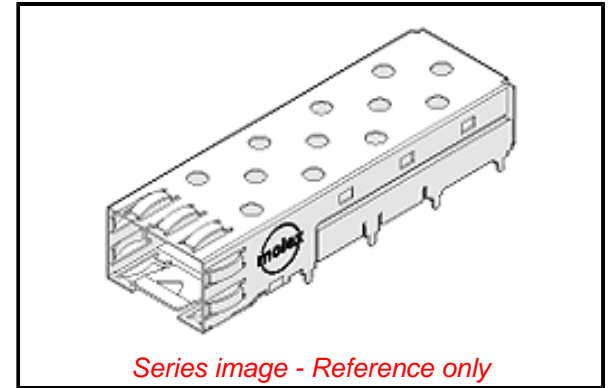
Physical

EMI Panel / Bezel Mount	Spring Fingers
Light Pipes per Port	0
Material - Metal	Copper Alloy
Net Weight	4.540/g
Orientation	Horizontal
Packaging Type	Tray
Port Configuration	1x1
Rear Legs	3
Termination Interface: Style	Through Hole - Compliant Pin
Thermal Height	N/A
Thermal Solutions	Closed Top

Material Info

Reference - Drawing Numbers

Application Specification	AS-74737-001
Packaging Specification	PK-74737-0016
Sales Drawing	SD-74737-0016 , SD-74737-0033 , SD-74737-016



EU ELV

Compliant

EU RoHS

Compliant

REACH SVHC

Not Contained Per -
ED/30/2017 (7 July
2017)

Halogen-Free

Status

Low-Halogen

Need more information on product environmental compliance?

Email productcompliance@molex.com
Please visit the [Contact Us](#) section for any non-product compliance questions.

China ROHS

ELV

RoHS Phthalates

Green Image

Compliant

Not Contained

Search Parts in this Series

[74737](#) Series

Mates With

[74720](#) SFP Copper Module, [73929](#) SFP Cable Assembly, Passive, 2 Gbps, [73930](#) SFP Cable Assembly, Active, 2 Gbps, [74742](#) SFP Cable Assembly, Passive, 4 Gbps, [74743](#) SFP Cable Assembly, Active, 4 Gbps

Use With

[74441](#) Connector