

PLEASE CHECK WWW.MOLEX.COM FOR LATEST PART INFORMATION

Part Number: [51405-2619](#)
Status: **Active**
Description: 1.25mm Pitch Mini Mi II™ System Wire-to-Wire Receptacle Housing, Dual Row, Floating Type, 26 Circuits, Lead-Free

Documents:

[3D Model](#) [Product Specification PS-51405-008 \(PDF\)](#)
[Drawing \(PDF\)](#) [RoHS Certificate of Compliance \(PDF\)](#)

Agency Certification

UL E29179

General

Product Family IDT and Solder Connectors
 Series [51405](#)
 Comments Floating Type
 Crimp Quality Equipment Yes
 Product Name Mini Mi II™
 UPC 822348180660
 Use With [54596](#) IDT Receptacle Housing

Physical

Circuits (Loaded) 26
 Circuits (maximum) 26
 Durability (mating cycles max) 3,000
 Gender Female
 Glow-Wire Compliant No
 Lock to Mating Part None
 Material - Metal Phosphor Bronze
 Material - Plating Mating Gold
 Material - Plating Termination Tin
 Material - Resin Polyester
 Net Weight 5703.654/mg
 Number of Rows 2
 Packaging Type Tray
 Panel Mount Yes
 Pitch - Mating Interface 1.25mm
 Pitch - Termination Interface 1.25mm
 Plating min - Mating 0.203µm
 Plating min - Termination 2.032µm
 Polarized to Mating Part Yes
 Stackable No
 Temperature Range - Operating -20°C to +80°C
 Termination Interface: Style Through Hole
 Wire Size AWG 26, 28

Electrical

Current - Maximum per Contact 1.5A
 Voltage - Maximum 100V

Material Info

Reference - Drawing Numbers

Product Specification PS-51405-008
 Sales Drawing SD-51405-007

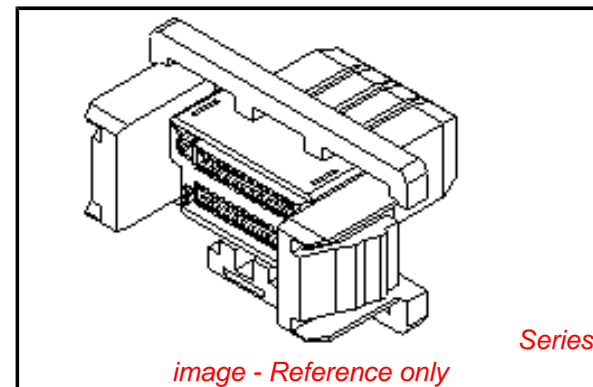


image - Reference only

EU RoHS

ELV and RoHS Compliant
REACH SVHC
Contains SVHC: No
Low-Halogen Status
Not Low-Halogen

China RoHS



Need more information on product environmental compliance?

Email productcompliance@molex.com
 For a multiple part number RoHS Certificate of Compliance, [click here](#)

Please visit the [Contact Us](#) section for any non-product compliance questions.

Search Parts in this Series

[51405Series](#)

Mates With

[55949](#) Plug Housing

This document was generated on 04/19/2013

PLEASE CHECK WWW.MOLEX.COM FOR LATEST PART INFORMATION