

PLEASE CHECK WWW.MOLEX.COM FOR LATEST PART INFORMATION

Part Number: [35183-0417](#)
Status: **Active**
Description: 8.00/10.00mm Pitch, 2.36 Dia. Pin Housing, 4 Circuits

Documents:

[3D Model](#) [Packaging Specification PK-35183-001 \(PDF\)](#)
[Drawing \(PDF\)](#) [RoHS Certificate of Compliance \(PDF\)](#)
[Product Specification PS-35183-001 \(PDF\)](#)

Agency Certification

CSA	LR19980
TUV	R72081037
UL	E29179

General

Product Family	Crimp Housings
Series	35183
Application	Power, Wire-to-Wire
Product Name	N/A
UPC	800753876941

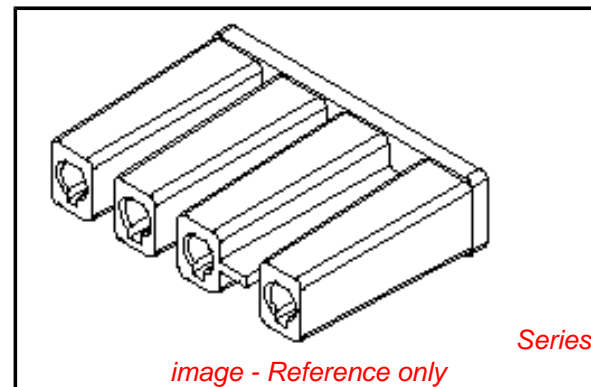
Physical

Circuits (maximum)	4
Flammability	94V-1
Gender	Female
Glow-Wire Compliant	No
Net Weight	2.453/g
Number of Rows	1
Packaging Type	Bag
Panel Mount	No
Pitch - Mating Interface	10.00mm, 8.00mm
Temperature Range - Operating	-25°C to +85°C

Material Info

Reference - Drawing Numbers

Packaging Specification	PK-35183-001
Product Specification	PS-35183-001
Sales Drawing	SD-35183-041



EU RoHS

**ELV and RoHS
Compliant**

REACH SVHC

Not Reviewed

Low-Halogen Status

Low-Halogen

China RoHS



**Need more information on product
environmental compliance?**

Email productcompliance@molex.com
 For a multiple part number RoHS Certificate of
 Compliance, [click here](#)

Please visit the [Contact Us](#) section for any
 non-product compliance questions.

Search Parts in this Series

[35183Series](#)

Use With

[35716](#)