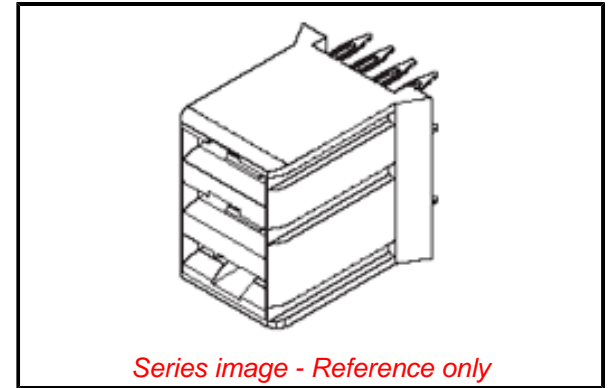


**PLEASE CHECK WWW.MOLEX.COM FOR LATEST PART INFORMATION**

**Part Number:** **0736560000**  
**Status:** **Active**  
**Overview:** HDM® Backplane Connector System  
**Description:** HDM Board-to-Board Backplane Power Module, Vertical, SMC, Power Receptacle, 3 Circuits, Gold (Au) 0.76µm

**Documents:**

<a href="#">3D Model</a>	<a href="#">Packaging Specification PK-70873-0819 (PDF)</a>
<a href="#">Drawing (PDF)</a>	<a href="#">Test Summary TS-73656-001 (PDF)</a>
<a href="#">Product Specification PS-73670-9999 (PDF)</a>	<a href="#">RoHS Certificate of Compliance (PDF)</a>
<a href="#">Application Specification AS-73656-1998-001 (PDF)</a>	



**Agency Certification**

CSA	LR19980
UL	E29179

**General**

Product Family	Backplane Connectors
Series	<u>73656</u>
Application	Backplane
Comments	Backplane Power Module
Component Type	Power Header
Overview	<u>HDM® Backplane Connector System</u>
Product Name	HDM®
UPC	800754345361

**Physical**

Circuits (Loaded)	3
Circuits (maximum)	3
Color - Resin	Black
Durability (mating cycles max)	250
First Mate / Last Break	No
Flammability	94V-0
Guide to Mating Part	No
Keying to Mating Part	None
Material - Metal	Beryllium Copper
Material - Plating Mating	Gold
Material - Plating Termination	Gold
Material - Resin	High Temperature Thermoplastic
Net Weight	1.609/g
Number of Columns	1
Number of Pairs	Open Pin Field
Number of Rows	3
Orientation	Vertical
PC Tail Length	3.50mm
PCB Locator	No
PCB Retention	Yes
PCB Thickness - Recommended	2.50mm
Packaging Type	Tube
Pitch - Mating Interface	3.70mm
Pitch - Termination Interface	2.00mm
Plating min - Mating	0.762µm
Plating min - Termination	0.051µm
Polarized to PCB	No
Stackable	Yes
Surface Mount Compatible (SMC)	Yes
Temperature Range - Operating	-55°C to +105°C

**EU ELV**

**Not Relevant**

**EU RoHS**

**Compliant**

**REACH SVHC**

Not Contained Per -  
ED/30/2017 (7 July  
2017)

**Halogen-Free**

**Status**

**Low-Halogen**

**Need more information on product environmental compliance?**

Email [productcompliance@molex.com](mailto:productcompliance@molex.com)  
Please visit the [Contact Us](#) section for any non-product compliance questions.

China ROHS	Green Image
ELV	Not Relevant
RoHS Phthalates	Not Contained

**Search Parts in this Series**

73656 Series

**Mates With**

73651 HDM Board-to-Board Daughterboard Power Module

Termination Interface: Style Through Hole - Compliant Pin

**Electrical**

Current - Maximum per Contact 15.0A  
Data Rate 1.0 Gbps  
Voltage - Maximum 500V AC

**Solder Process Data**

Lead-freeProcess Capability N/A

**Material Info**

**Reference - Drawing Numbers**

Application Specification AS-73656-1998-001  
Packaging Specification PK-70873-0819  
Product Specification PS-73670-9999  
Sales Drawing SDA-73656-\*00\*  
Test Summary TS-73656-001

This document was generated on 08/11/2017

**PLEASE CHECK [WWW.MOLEX.COM](http://WWW.MOLEX.COM) FOR LATEST PART INFORMATION**