

**PLEASE CHECK WWW.MOLEX.COM FOR LATEST PART INFORMATION**

**Part Number:** [0002081102](#)  
**Status:** **Active**  
**Description:** Claspcn™ Crimp Terminal Socket, Tin (Sn) Plated Brass Contact, 16-24 AWG, Bag

**Documents:**

[Drawing \(PDF\)](#) [RoHS Certificate of Compliance \(PDF\)](#)  
[Packaging Specification PK-1190-003 \(PDF\)](#)

**Agency Certification**

CSA LR19980  
 UL E29179

**General**

Product Family Crimp Terminals  
 Series [1881](#)  
 Application Power  
 Crimp Quality Equipment Yes  
 Packaging Alternative [02-08-1101 \(Reel\)](#)  
 Product Name Claspcn™  
 UPC 800753618435

**Physical**

Gender Female  
 Material - Metal Brass  
 Material - Plating Mating Tin  
 Material - Plating Termination Tin  
 Net Weight 0.326/g  
 Packaging Type Bag  
 Plating min - Mating 0.508µm  
 Plating min - Termination 0.508µm  
 Termination Interface: Style Crimp or Compression  
 Wire Insulation Diameter 3.50mm max.  
 Wire Size AWG 16, 18, 20, 22, 24  
 Wire Size mm² N/A

**Solder Process Data**

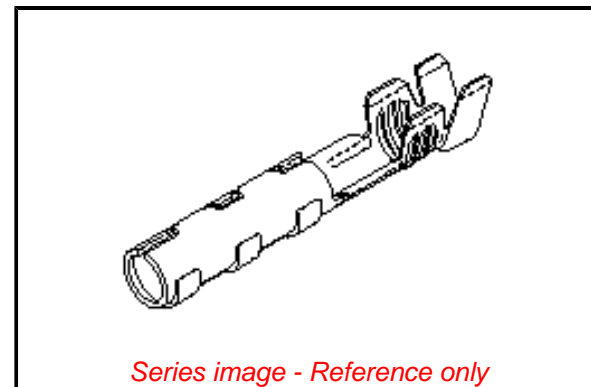
Lead-freeProcess Capability N/A

**Material Info**

Engineering Number 1881-2L1A

**Reference - Drawing Numbers**

Packaging Specification PK-1190-003  
 Sales Drawing SD-1881-\*



**EU ELV**

**Not Relevant**

**EU RoHS**

**Compliant**

**REACH SVHC**

Not Contained Per -  
 ED/30/2017 (7 July  
 2017)

**Halogen-Free**

**Status**

**Low-Halogen**

**Need more information on product  
 environmental compliance?**

Email [productcompliance@molex.com](mailto:productcompliance@molex.com)  
 Please visit the [Contact Us](#) section for any  
 non-product compliance questions.

China ROHS	Green Image
ELV	Not Relevant
RoHS Phthalates	Not Contained

**Search Parts in this Series**

[1881 Series](#)

**Mates With**

[16-06-0005](#)

**PLEASE CHECK WWW.MOLEX.COM FOR LATEST PART INFORMATION**