

PLEASE CHECK WWW.MOLEX.COM FOR LATEST PART INFORMATION

Part Number: [0747370002](#)
Status: **Active**
Overview: SFP+ and SFP Interconnect Solutions
Description: SFP One Piece Cage, EMI Shielding, 2.29mm Press-Fit Tails

Documents:

[Drawing \(PDF\)](#) [RoHS Certificate of Compliance \(PDF\)](#)
[Product Specification TS-74737-0002-001 \(PDF\)](#)

General

| | |
|-------------------------------|---|
| Product Family | EMI Cages |
| Series | 74737 |
| Application | Module-to-Board |
| Application Tooling Part Link | 62202-9745 |
| Application Tooling Part Link | 62202-9750 |
| Component Type | Cage Assembly |
| Overview | SFP+ and SFP Interconnect Solutions |
| Product Name | SFP |
| UPC | 822348520923 |

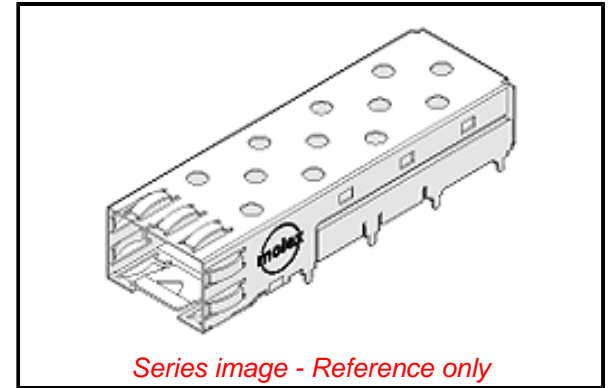
Physical

| | |
|------------------------------|------------------------------|
| EMI Panel / Bezel Mount | Spring Fingers |
| Light Pipes per Port | N/A |
| Material - Metal | Copper Alloy |
| Net Weight | 4.313/g |
| Orientation | Horizontal |
| Packaging Type | Tray |
| Port Configuration | 1x1 |
| Rear Legs | 0 |
| Termination Interface: Style | Through Hole - Compliant Pin |
| Thermal Height | N/A |
| Thermal Solutions | N/A |

Material Info

Reference - Drawing Numbers

| | |
|-----------------------|-----------------------------|
| Product Specification | TS-74737-0002-001 |
| Sales Drawing | SD-74737-002, SD-74737-0033 |



EU ELV

Compliant

EU RoHS

Compliant

REACH SVHC

Not Contained Per -
ED/30/2017 (7 July
2017)

Halogen-Free

Status

Low-Halogen

Need more information on product environmental compliance?

Email productcompliance@molex.com
Please visit the [Contact Us](#) section for any non-product compliance questions.

China ROHS

ELV

RoHS Phthalates

Green Image

Compliant

Not Contained

Search Parts in this Series

[74737](#) Series

Mates With

[74720](#) SFP Copper Module, [73929](#) SFP Cable Assembly, Passive, 2 Gbps, [73930](#) SFP Cable Assembly, Active, 2 Gbps, [74742](#) SFP Cable Assembly, Passive, 4 Gbps, [74743](#) SFP Cable Assembly, Active, 4 Gbps

Use With

[74441](#) Connector