

**PLEASE CHECK WWW.MOLEX.COM FOR LATEST PART INFORMATION**

**Part Number:** [0432028927](#)  
**Status:** **Active**  
**Overview:** Magnetic and Modular Jacks and Plugs  
**Description:** Modular Jack, Right Angle, Low Profile, Shielded, All Panel Grounding Tabs, with Bottom Grounding Tab, Rear Position PCB Ground Tab, 8/8

**Documents:**

[3D Model](#) [Packaging Specification PK-43202-004 \(PDF\)](#)  
[Drawing \(PDF\)](#) [RoHS Certificate of Compliance \(PDF\)](#)  
[Product Specification PS-43202-001-001 \(PDF\)](#)

**Agency Certification**

CSA LR19980  
 UL E107635

**General**

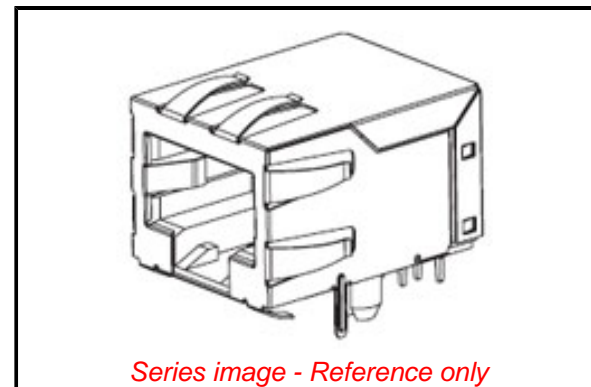
Product Family Modular Jacks/Plugs  
 Series [43202](#)  
 Comments Enhanced panel grounding tabs  
 Component Type PCB Jack  
 Magnetic No  
 Overview Magnetic and Modular Jacks and Plugs  
 Performance Category 3  
 Power over Ethernet (PoE) N/A  
 Product Name Modular Jack 8/8  
 UPC 800754883382

**Physical**

Color - Resin Black  
 Durability (mating cycles max) 500  
 Flammability 94V-0  
 Inverted / Top Latch No  
 Jack Height 12.09mm  
 Lightpipes/LEDs None  
 Material - Metal Brass, Phosphor Bronze  
 Material - Plating Mating Gold  
 Material - Plating Termination Tin  
 Material - Resin High Temperature Thermoplastic  
 Net Weight 4.297/g  
 Orientation Right Angle (Side Entry)  
 PCB Retention Yes  
 PCB Thickness - Recommended 1.60mm  
 Packaging Type Tray  
 Pitch - Mating Interface 1.02mm  
 Pitch - Termination Interface 1.27mm  
 Plating min - Mating 1.270µm  
 Plating min - Termination 2.540µm  
 Ports 1  
 Positions / Loaded Contacts 8/8  
 Surface Mount Compatible (SMC) Yes  
 Temperature Range - Operating -40°C to +85°C  
 Termination Interface: Style Through Hole  
 Wire/Cable Type N/A

**Electrical**

Current - Maximum per Contact 1.5A  
 Grounding to PCB Yes



*Series image - Reference only*

**EU ELV**

**Not Relevant**

**EU RoHS**

**Compliant**

**REACH SVHC**

Not Contained Per -  
 ED/30/2017 (7 July  
 2017)

**Halogen-Free**

**Status**

**Not Low-Halogen**

**Need more information on product environmental compliance?**

Email [productcompliance@molex.com](mailto:productcompliance@molex.com)  
 Please visit the [Contact Us](#) section for any non-product compliance questions.

China ROHS	Green Image
ELV	Not Relevant
RoHS Phthalates	Not Contained

**Search Parts in this Series**

[43202 Series](#)

**Mates With**

FCC 68 Plugs

Grounding to Panel	Yes
Shielded	Yes
Voltage - Maximum	125V

**Solder Process Data**

Duration at Max. Process Temperature (seconds)	005
Lead-free Process Capability	WAVE
Max. Cycles at Max. Process Temperature	001
Process Temperature max. C	260

**Material Info****Reference - Drawing Numbers**

Packaging Specification	PK-43202-004
Product Specification	PS-43202-001-001
Sales Drawing	SDA-43202

This document was generated on 08/22/2017

**PLEASE CHECK [WWW.MOLEX.COM](http://WWW.MOLEX.COM) FOR LATEST PART INFORMATION**