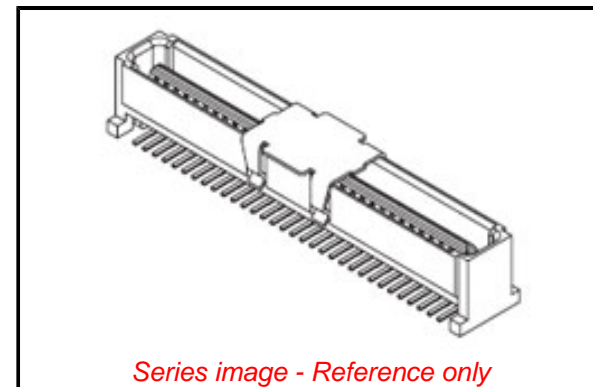


PLEASE CHECK WWW.MOLEX.COM FOR LATEST PART INFORMATION

Part Number: [0714360164](#)
Status: **Active**
Overview: PMC Mezzanine Connectors
Description: 1.00mm Pitch Mezzanine IEEE 1386 Plug, Surface Mount, Dual Row, Vertical Stacking, 64 Circuits, 6.35mm Unmated Height, with PCB Locator Pegs, without Robotic Placement Metal Cap, Tube Packaging

Documents:

[3D Model](#) [Packaging Specification PK-70873-063 \(PDF\)](#)
[Drawing \(PDF\)](#) [RoHS Certificate of Compliance \(PDF\)](#)
[Product Specification PS-71436-9999-001 \(PDF\)](#)



Agency Certification

CSA LR19980
 UL E29179

General

Product Family PCB Headers
 Series [71436](#)
 Application Board-to-Board, Signal
 MolexKits Yes
 Overview [PMC Mezzanine Connectors](#)
 Product Name PMC Mezzanine
 UPC 800754349819

Physical

Breakaway No
 Circuits (Loaded) 64
 Circuits (maximum) 64
 Color - Resin Natural
 Flammability 94V-0
 Glow-Wire Compliant No
 Lock to Mating Part None
 Mated Height 8.00mm
 Material - Metal Phosphor Bronze
 Material - Plating Mating Gold
 Material - Plating Termination Tin
 Material - Resin High Temperature Thermoplastic
 Net Weight 1.163/g
 Number of Rows 2
 Orientation Vertical
 PCB Locator Yes
 PCB Retention None
 PCB Thickness - Recommended 1.00mm
 Packaging Type Tube
 Pitch - Mating Interface 1.00mm
 Plating min - Mating 0.762µm
 Plating min - Termination 1.905µm
 Polarized to Mating Part No
 Shrouded Fully
 Stackable No
 Temperature Range - Operating -55°C to +85°C
 Termination Interface: Style Surface Mount

Electrical

Current - Maximum per Contact 1.0A
 Voltage - Maximum 100V

EU ELV

Not Relevant

EU RoHS

Compliant

REACH SVHC

Not Contained Per -
 ED/30/2017 (7 July
 2017)

Halogen-Free

Status

Low-Halogen

Need more information on product environmental compliance?

Email productcompliance@molex.com
 Please visit the [Contact Us](#) section for any non-product compliance questions.

China ROHS	Green Image
ELV	Not Relevant
RoHS Phthalates	Not Contained

Search Parts in this Series

[71436 Series](#)

Mates With

[71439](#) 1.00mm Pitch Mezzanine IEEE 1386 Receptacle for Stack Height 8.00mm

Solder Process Data

Lead-free Process Capability
Process Temperature max. C

REFLOW
260

Material Info**Reference - Drawing Numbers**

Packaging Specification
Product Specification
Sales Drawing

PK-70873-063
PS-71436-9999-001
SDA-71436-0***

This document was generated on 08/04/2017

PLEASE CHECK WWW.MOLEX.COM FOR LATEST PART INFORMATION