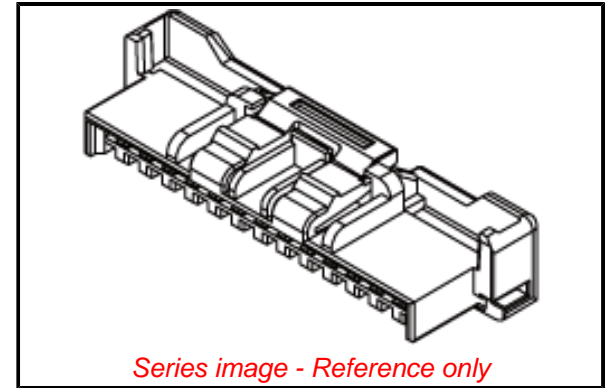


PLEASE CHECK WWW.MOLEX.COM FOR LATEST PART INFORMATION

Part Number: **5024390500**
Status: **Active**
Overview: CLIK-Mate™ Wire-to-Board Connectors
Description: 2.00mm Pitch CLIK-Mate™ Wire-to-Board Housing, Single Row, Positive Lock, 5 Circuits

Documents:

| | |
|---|---|
| 3D Model | Application Specification AS-502439-002-001 (PDF) |
| Drawing (PDF) | Packaging Specification 5024399200-200 (PDF) |
| Product Specification 5024431570-000 (PDF) | RoHS Certificate of Compliance (PDF) |
| Application Specification AS-502439-001-001 (PDF) | |



Agency Certification

UL E29179

General

| | |
|----------------|---|
| Product Family | Crimp Housings |
| Series | 502439 |
| Application | Signal, Wire-to-Board |
| Comments | See Product Specification for maximum current rating by circuit size and wire AWG |
| Overview | CLIK-Mate™ Wire-to-Board Connectors |
| Product Name | CLIK-Mate™ |
| UPC | 822350915830 |

Physical

| | |
|-------------------------------|-----------------|
| Breakaway | No |
| Circuits (maximum) | 5 |
| Color - Resin | White |
| Gender | Plug |
| Glow-Wire Compliant | No |
| Keying to Mating Part | Yes |
| Lock to Mating Part | Yes |
| Material - Resin | PBT |
| Net Weight | 456.000/mg |
| Number of Rows | 1 |
| Packaging Type | Bag |
| Panel Mount | No |
| Pitch - Mating Interface | 2.00mm |
| Polarized to Mating Part | Yes |
| Stackable | No |
| Temperature Range - Operating | -40°C to +105°C |

Electrical

Current - Maximum per Contact 3.0A

Material Info

Reference - Drawing Numbers

| | |
|---------------------------|--------------------------------------|
| Application Specification | AS-502439-001-001, AS-502439-002-001 |
| Packaging Specification | 5024399200-200 |
| Product Specification | 5024431570-000 |
| Sales Drawing | 5024391500-000 |

EU ELV

Not Relevant

EU RoHS

Compliant

REACH SVHC

Not Contained Per - ED/30/2017 (7 July 2017)

Halogen-Free

Status

Not Low-Halogen

Need more information on product environmental compliance?

Email productcompliance@molex.com
Please visit the [Contact Us](#) section for any non-product compliance questions.

China ROHS

ELV

RoHS Phthalates

China RoHS

Green Image

Not Relevant

Not Contained

Search Parts in this Series

[502439](#) Series

Mates With

[502443](#) PCB Receptacle Vertical . [502494](#) PCB Receptacle Right Angle

Use With

[502438](#) Crimp Terminal