

PLEASE CHECK WWW.MOLEX.COM FOR LATEST PART INFORMATION

Part Number: [0512270700](#)
Status: **Active**
Description: 2.00mm Pitch Wire-to-Wire Plug Housing, Positive Lock, 7 Circuits

Documents:

[3D Model](#) [Packaging Specification SPK-51227-001-001 \(PDF\)](#)
[Drawing \(PDF\)](#) [RoHS Certificate of Compliance \(PDF\)](#)
[Product Specification PS-51216-006-001 \(PDF\)](#)

General

Product Family	Crimp Housings
Series	51227
Application	Signal, Wire-to-Wire
Product Name	N/A
UPC	800756062396

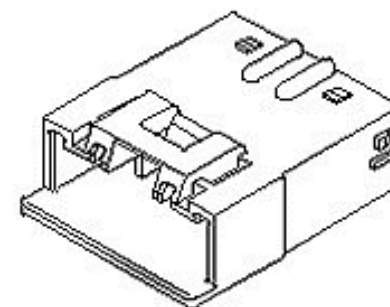
Physical

Circuits (maximum)	7
Color - Resin	Natural
Gender	Plug
Glow-Wire Compliant	No
Material - Resin	Polyester
Net Weight	943.000/mg
Number of Rows	1
Packaging Type	Bag
Panel Mount	No
Pitch - Mating Interface	2.00mm
Stackable	No
Temperature Range - Operating	-40°C to +105°C

Material Info

Reference - Drawing Numbers

Packaging Specification	SPK-51227-001-001
Product Specification	PS-51216-006-001
Sales Drawing	SD-51227-002



Series image - Reference only

EU ELV

Not Relevant

EU RoHS

Compliant

REACH SVHC

Not Contained Per -
ED/30/2017 (7 July
2017)

Halogen-Free

Status

Not Low-Halogen

**Need more information on product
environmental compliance?**

Email productcompliance@molex.com
Please visit the [Contact Us](#) section for any
non-product compliance questions.

China ROHS	Green Image
ELV	Not Relevant
RoHS Phthalates	Not Contained

Search Parts in this Series

[51227 Series](#)

Mates With

[51216 Housing](#)

Use With

[51217-0705](#) , [56086](#)