

PLEASE CHECK WWW.MOLEX.COM FOR LATEST PART INFORMATION

Part Number: [0747360230](#)
Status: **Active**
Overview: [XFP Cage](#)
Description: Heat Sink Clip for XFP Cage Assembly, 10 Gigabit Small Form Factor Pluggable Compatible

Documents:

3D Model	Packaging Specification PK-74736-002 (PDF)
Drawing (PDF)	RoHS Certificate of Compliance (PDF)
Product Specification TS-74736-0001-001 (PDF)	

General

Product Family	EMI Cages
Series	74736
Application	N/A
Component Type	Clip
Overview	XFP Cage
Product Name	XFP
UPC	822348466931

Physical

EMI Panel / Bezel Mount	N/A
Light Pipes per Port	N/A
Material - Metal	Stainless Steel
Net Weight	1.400/g
Orientation	Horizontal
Packaging Type	Tray
Port Configuration	N/A
Rear Legs	N/A
Termination Interface: Style	N/A
Thermal Height	N/A
Thermal Solutions	N/A

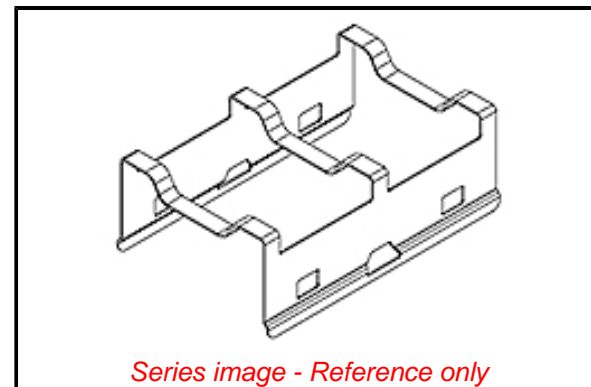
Solder Process Data

Lead-freeProcess Capability	N/A
-----------------------------	-----

Material Info

Reference - Drawing Numbers

Packaging Specification	PK-74736-002
Product Specification	TS-74736-0001-001
Sales Drawing	SD-74736-230



EU ELV

Compliant

EU RoHS

Compliant

REACH SVHC

Contained Per -
ED/30/2017 (7 July
2017)
2,4-Di-tert-butyl-6-(5-
chlorobenzotriazol-2-
yl)p

Halogen-Free

Status

Low-Halogen

Need more information on product environmental compliance?

Email productcompliance@molex.com
Please visit the [Contact Us](#) section for any non-product compliance questions.

China ROHS	Green Image
ELV	Compliant
RoHS Phthalates	Not Contained

Search Parts in this Series

[74736 Series](#)

Use With

[74736 XFP Cage](#)