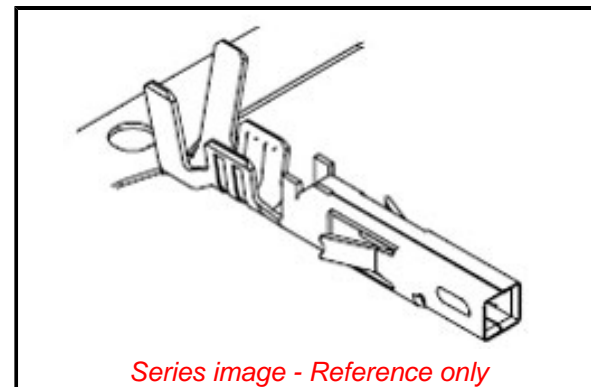


PLEASE CHECK WWW.MOLEX.COM FOR LATEST PART INFORMATION

Part Number: [0460182541](#)
Status: **Active**
Overview: [Mini-Fit Plus Connector System](#)
Description: Mini-Fit® Plus High Mating Cycle Female Crimp Terminal, 22-24 AWG, Reel, Select Gold (Au) Plating with Proprietary Molex Advanced Contact Surface Finish (CSF) in Contact Area

Documents:

Drawing (PDF)	Packaging Specification PK-46018-001 (PDF)
Product Specification PS-46018-004-001 (PDF)	Packaging Specification PK-46018-001-002 (PDF)
Product Specification TS-46018-001-001 (PDF)	RoHS Certificate of Compliance (PDF)



General

Product Family	Crimp Terminals
Series	46018
Application	Power
Comments	Current Rating = 5A Max. Using 22 AWG Wire and 4A Max. Using 24 AWG Wire
Crimp Quality Equipment Overview	Yes
Packaging Alternative	Mini-Fit Plus Connector System 46018-2542 (Loose)
Product Name	Mini-Fit® Plus
UPC	822350560450

Physical

Gender	Female
Material - Metal	Copper Alloy
Material - Plating Mating	Gold
Material - Plating Termination	Tin
Net Weight	0.150/g
Packaging Type	Reel
Plating min - Mating	0.051µm
Plating min - Termination	2.540µm
Termination Interface: Style	Crimp or Compression
Wire Insulation Diameter	1.20-1.80mm
Wire Size AWG	22, 24
Wire Size mm ²	N/A

Electrical

Current - Maximum per Contact	13.0A
Voltage - Maximum	600V

Solder Process Data

Lead-free Process Capability	N/A
------------------------------	-----

Material Info

Reference - Drawing Numbers

Packaging Specification	PK-46018-001, PK-46018-001-002
Product Specification	PS-46018-004-001, TS-46018-001-001
Sales Drawing	SD-46018-001

EU ELV

Not Relevant

EU RoHS

Compliant

REACH SVHC

Not Contained Per - ED/30/2017 (7 July 2017)

Halogen-Free

Status

Low-Halogen

Need more information on product environmental compliance?

Email productcompliance@molex.com
Please visit the [Contact Us](#) section for any non-product compliance questions.

China ROHS	Green Image
ELV	Not Relevant
RoHS Phthalates	Not Contained

Search Parts in this Series

[46018 Series](#)

Mates With

Mini-Fit® Plus Crimp Terminal [46012](#)
 Mini-Fit® Plus Header [46011](#) , [46014](#) , [46015](#)
 Mini-Fit® BMI Header [44068](#) , [42404](#) , [43810](#)
 Mini-Fit Jr.™ Header [5569](#)
 Mini-Fit® TPA Header [30070](#)

Use With

Mini-Fit Jr.™ Receptacles [5557](#)
 Mini-Fit® TPA Receptacles [30067](#)
 Mini-Fit® BMI Panel Mount Receptacles [42474](#)
 Mini-Fit® BMI Panel Mount Slide-N-Lock Receptacles [44516](#)

PLEASE CHECK WWW.MOLEX.COM FOR LATEST PART INFORMATION