

PLEASE CHECK WWW.MOLEX.COM FOR LATEST PART INFORMATION

Part Number: [0945504004](#)
Status: **Active**
Overview: RAST 5 Connector System
Description: 5.00mm Pitch, Rast 5, PA Polyamide (Nylon) 6/6, UL 94V-2, 4 Circuits, Natural, Glow Wire Capable

Documents:

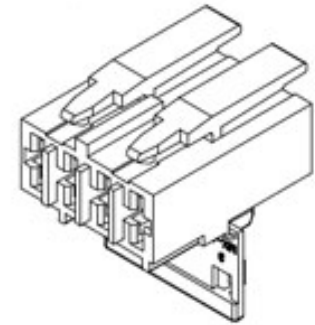
[3D Model](#) [Product Specification TS-94550-002-001 \(PDF\)](#)
[Drawing \(PDF\)](#) [RoHS Certificate of Compliance \(PDF\)](#)
[Product Specification PS-94550-001-001 \(PDF\)](#)

General

Product Family	Crimp Housings
Series	94550
Application	Power, Wire-to-Board
Application Tooling Part Link	62201-7500
Comments	This Molex product is manufactured from material that has the following ratings, tested by independent agencies :. a) A Glow Wire Ignition Temperature (GWIT) of at least 775 deg C per IEC 60695-2-13.. b) A Glow Wire Flammability Index (GWFI) above 850 deg C per IEC 60695-2-12.and hence complies with the requirements set out in the International Standard IEC 60335-1 5th edition - household and similar electrical appliances - safety; section 30 Resistance to heat and fire.<P><P>The customers using this product must determine its suitability for use in their particular application through testing or other acceptable means as described in end-product glow-wire flammability test standard IEC 60695-2-11 and any applicable product end-use standard(s).<P>If it is determined during the customer's evaluation of suitability, that higher performance is required, please contact Molex for possible product options.
Overview	RAST 5 Connector System
Product Name	RAST 5
UPC	822350107297

Physical

Breakaway	No
Circuits (maximum)	4
Color - Resin	Natural
Gender	Receptacle
Glow-Wire Compliant	Yes
Lock to Mating Part	Yes
Material - Resin	Nylon
Net Weight	3.520/g
Number of Rows	1
Packaging Type	Bag
Panel Mount	No
Pitch - Mating Interface	5.00mm
Pitch - Termination Interface	5.00mm
Polarized to Mating Part	Yes
Ports	1
Stackable	No
Temperature Range - Operating	-40°C to +85°C



Series image - Reference only

EU ELV

Compliant

EU RoHS

Compliant

REACH SVHC

Not Contained Per - ED/30/2017 (7 July 2017)

Halogen-Free

Status

Not Relevant

Need more information on product environmental compliance?

Email productcompliance@molex.com
Please visit the [Contact Us](#) section for any non-product compliance questions.

China ROHS	Not Relevant
ELV	Compliant
RoHS Phthalates	Not Contained

Search Parts in this Series

[94550](#) Series

Mates With

Rast 5 Headers, [90858](#) Vertical Header, [90879](#) Right Angle Header

Use With

[94518](#) Crimp Terminal, [94549](#) Crimp Terminal

Application Tooling | FAQ

Tooling specifications and manuals are found by selecting the products below. Crimp Height Specifications are then contained in the Application Tooling Specification document.

Global

Description

Product #

Solder Process Data

Lead-freeProcess Capability

N/A

Manual Arbor Press, 0622017500
RAST 5.0**Material Info****Reference - Drawing Numbers**

Product Specification

PS-94550-001-001, TS-94550-002-001

Sales Drawing

SD-94550-003

This document was generated on 08/09/2017

PLEASE CHECK WWW.MOLEX.COM FOR LATEST PART INFORMATION