

**PLEASE CHECK WWW.MOLEX.COM FOR LATEST PART INFORMATION**

**Part Number:** **0430451619**  
**Status:** **Active**  
**Overview:** Micro-Fit 3.0 Connector System Product Family  
**Description:** Micro-Fit 3.0™ Vertical Header, 3.00mm Pitch, Dual Row, 16 Circuits, with Solder Tab, Gold, Glow Wire Capable, Black

**Documents:**

|  |  |
|--|--|
| <a href="#">3D Model</a>                                     | <a href="#">Product Specification TS-43045-002-001 (PDF)</a> |
| <a href="#">Drawing (PDF)</a>                                | <a href="#">Product Specification TS-46235-001-001 (PDF)</a> |
| <a href="#">Product Specification PS-43045 (PDF)</a>         | <a href="#">RoHS Certificate of Compliance (PDF)</a>         |
| <a href="#">Product Specification TS-43045-001-001 (PDF)</a> | <a href="#">Product Literature (PDF)</a>                     |

**Agency Certification**

|     |         |
|-----|---------|
| CSA | LR19980 |
| UL  | E29179  |

**General**

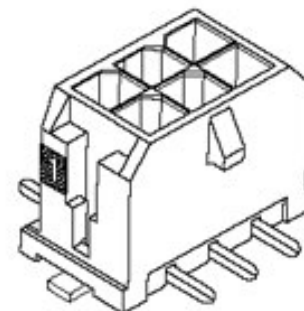
|                |   |
|----------------|---|
| Product Family | PCB Headers   |
| Series         | 43045   |
| Application    | Power, Wire-to-Board  |
| Comments       | "High Temperature Square Pin Solder Type<P><P>This Molex product is manufactured from material that has the following ratings, tested by independent agencies:. a) A Glow Wire Ignition Temperature (GWIT) of at least 775 deg C per IEC 60695-2-13.. b) A Glow Wire Flammability Index (GWFI) above 850 deg C per IEC 60695-2-12.and hence complies with the requirements set out in the International Standard IEC 60335-1 5th edition - household and similar electrical appliances - safety, section 30 Resistance to heat and fire. <P><P> The customers using this product must determine its suitability for use in their particular application through testing or other acceptable means as described in end-product glow-wire flammability test standard IEC 60695-2-11 and any applicable product end-use standard(s). <P> If it is determined during the customer's evaluation of suitability, that higher performance is required, please contact Molex for possible product options." |

**Overview**

|                             |   |
|-----------------------------|---|
| Product Literature Order No | Micro-Fit 3.0 Connector System Product Family |
| Product Name                | 987650-5984                                   |
| UPC                         | Micro-Fit 3.0™                                |
|                             | 800753836990                                  |

**Physical**

|                                |                                |
|--------------------------------|--------------------------------|
| Breakaway                      | No                             |
| Circuits (Loaded)              | 16                             |
| Circuits (maximum)             | 16                             |
| Color - Resin                  | Black                          |
| Durability (mating cycles max) | 30                             |
| Flammability                   | 94V-0                          |
| Glow-Wire Compliant            | Yes                            |
| Mated Height                   | 17.64mm                        |
| Material - Metal               | Brass                          |
| Material - Plating Mating      | Gold                           |
| Material - Plating Termination | Tin                            |
| Material - Resin               | High Temperature Thermoplastic |



Series image - Reference only

**EU ELV**

**Not Relevant**

**EU RoHS**

**Compliant**

**REACH SVHC**

Not Contained Per - ED/30/2017 (7 July 2017)

**Halogen-Free**

**Status**

**Low-Halogen**

**Need more information on product environmental compliance?**

Email [productcompliance@molex.com](mailto:productcompliance@molex.com)  
Please visit the [Contact Us](#) section for any non-product compliance questions.

China ROHS

ELV

RoHS Phthalates

Green Image

Not Relevant

Not Contained

**Search Parts in this Series**

[43045 Series](#)

**Mates With**

Micro-Fit 3.0™ Receptacle Housing [43025](#)

|  |   |
|--|---|
| Net Weight                                     | 2.417/g   |
| Number of Rows                                 | 2   |
| Orientation                                    | Vertical  |
| PCB Locator                                    | Yes   |
| PCB Retention                                  | Yes   |
| PCB Thickness - Recommended                    | 1.60mm  |
| Packaging Type                                 | Embossed Tape on Reel   |
| Pitch - Mating Interface                       | 3.00mm  |
| Plating min - Mating                           | 0.381µm   |
| Polarized to PCB                               | Yes   |
| Shrouded                                       | Fully   |
| Stackable                                      | No  |
| Surface Mount Compatible (SMC)                 | N/A   |
| Temperature Range - Operating                  | -40°C to +105°C   |
| Termination Interface: Style                   | Surface Mount   |
| <b>Electrical</b>                              |   |
| Current - Maximum per Contact                  | 5.0A  |
| Voltage - Maximum                              | 600V  |
| <b>Solder Process Data</b>                     |   |
| Duration at Max. Process Temperature (seconds) | 030   |
| Lead-free Process Capability                   | REFLOW  |
| Max. Cycles at Max. Process Temperature        | 003   |
| Process Temperature max. C                     | 260   |
| <b>Material Info</b>                           |   |
| <b>Reference - Drawing Numbers</b>             |   |
| Product Specification                          | PS-43045, TS-43045-001-001, TS-43045-002-001,<br>TS-46235-001-001 |
| Sales Drawing                                  | SD-43045-007  |

This document was generated on 09/21/2017

**PLEASE CHECK [WWW.MOLEX.COM](http://WWW.MOLEX.COM) FOR LATEST PART INFORMATION**