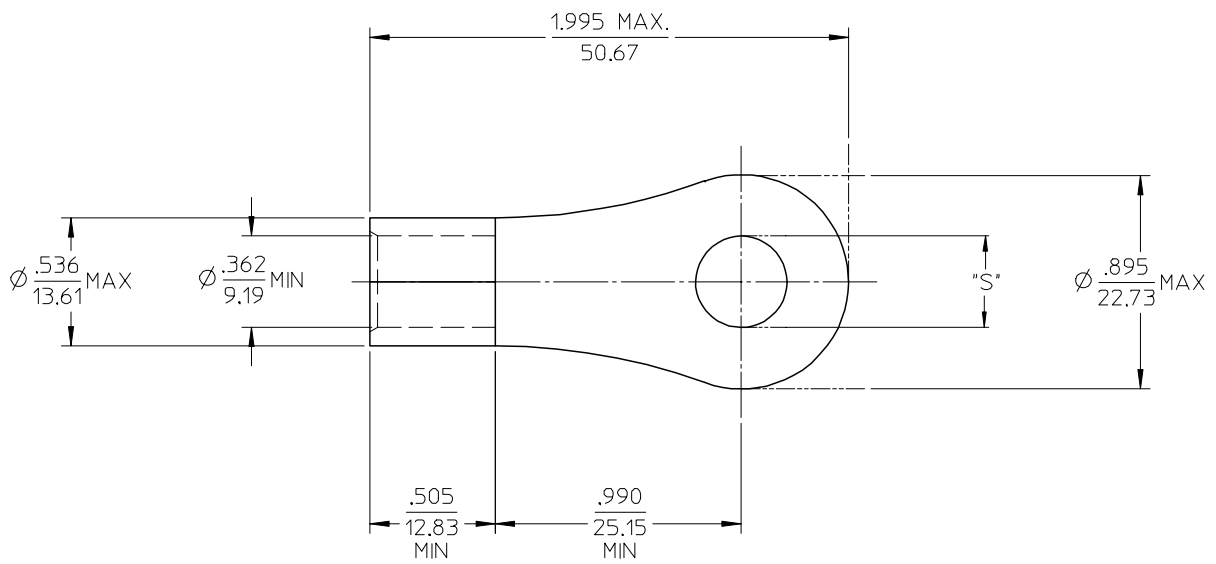


MATERIAL NO. LOOSE PIECE	ENG. NO.	STUD SIZE	±.003 "S"	STOCK THICKNESS
191930313	G-376-14	1/4	.265	.075 (1.90)
191930315	G-376-56	5/16	.328	
191930314	G-376-38	3/8	.390	
191930317	G-376-76	7/16	.453	
191930312	G-376-12	1/2	.515	
191930316	G-376-58	5/8	.656	



SALES DRAWING

- NOTE(S):
1. MATERIAL: COPPER
 2. PLATING: ELECTROPLATE TIN
 3. ALL DIMENSIONS IN INCHES/(MM).
 4. WIRE SIZE: 2 AWG
35 MM²

REVISED/UPDATE TO MX STDS EC NO: ETC2003-0315 DRWN:DMYRIK 2003/08/20 CHKD:HEB 2003/08/21 APPR:RDEROSS 2003/08/21	DESCRIPTION	QUALITY SYMBOLS	GENERAL TOLERANCES (UNLESS SPECIFIED)	SCALE 2:1	DESIGN UNITS INCH	THIRD ANGLE PROJECTION	REVISE ON CAD ONLY
		▽ = 0	4 PLACES ± --- ± ---	DIMENSION STYLE IN/MM		TITLE RING TONGUE TERMINAL	
		▽ = 0	3 PLACES ± --- ± .005	DRAWN BY DLM	DATE 03/07/11	VERSAKRIMP	
			2 PLACES ± 0.13 ± .01	CHECKED BY HEB	DATE 03/07/11	2 AWG	
		1 PLACE ± 0.25 ± ---	ANGULAR ± 1/2°		MATERIAL NO. (SEE CHART)		DOCUMENT NO. SD-19193-029
			DRAFT WHERE APPLICABLE		APPROVED BY RWD		DATE 03/07/11
			MUST REMAIN WITHIN DIMENSIONS		SHEET NO. 1 OF 1		
THIS DRAWING CONTAINS INFORMATION THAT IS PROPRIETARY TO MOLEX INCORPORATED AND SHOULD NOT BE USED WITHOUT WRITTEN PERMISSION							