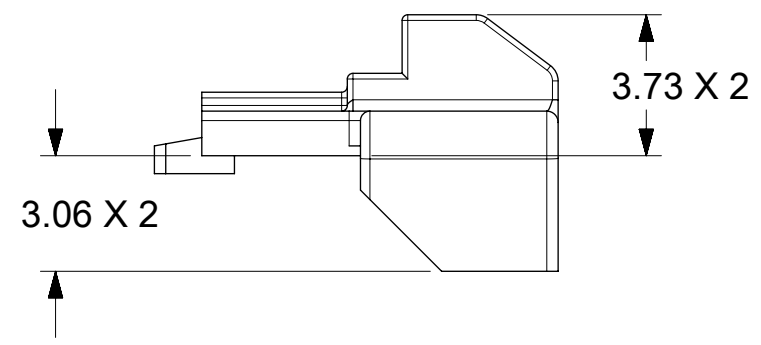
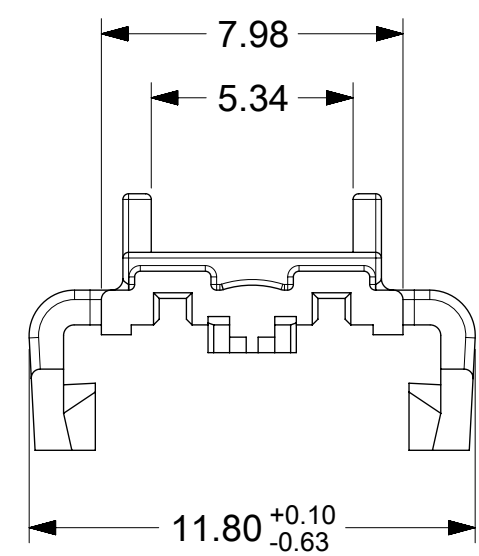
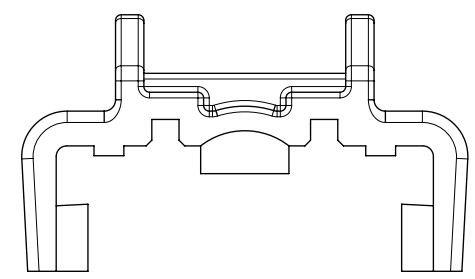
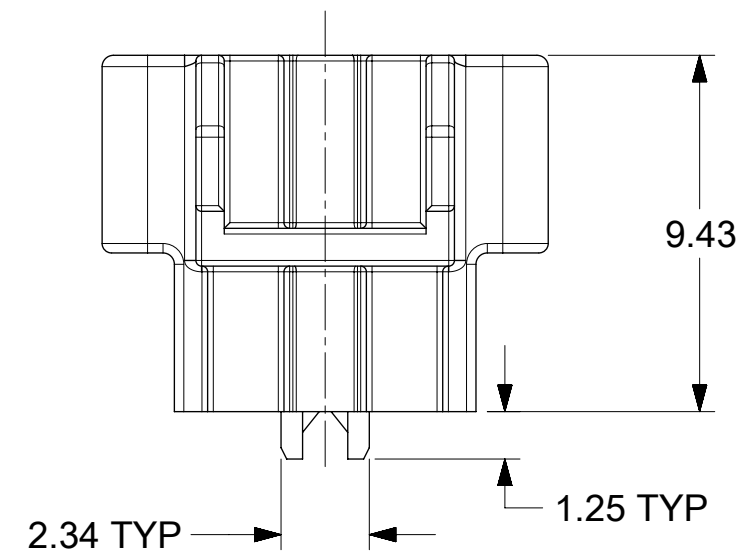
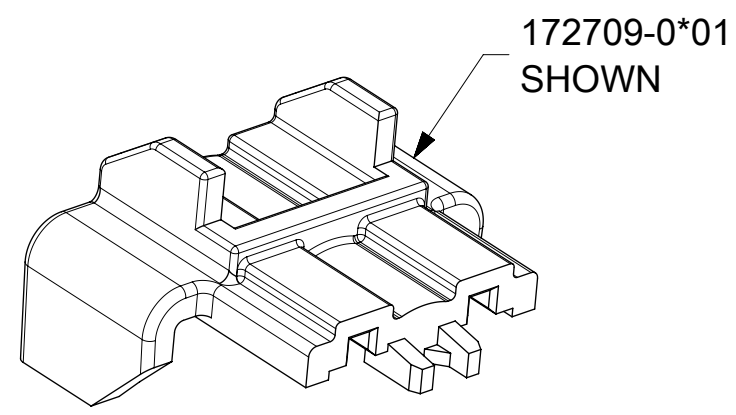


PART NUMBER	CKTS	MATERIAL
172709-0001	1	A
172709-0101	1	B



NOTES:

- MATERIAL:**
'A' = NYLON V-0, LOW HALOGEN, COLOR: NATURAL (WHITE)
'B' = NYLON V-2, GLOW WIRE CAPABLE, COLOR: NATURAL (WHITE)
- FINISH:** NONE
- PRODUCT SPECIFICATION:** PS-172718-0000
APPLICATION SPECIFICATION: AS-172718-0000
- PACKAGING SPECIFICATION:**
PK-172709-0000
REFER TO AS-45499-001 FOR MOISTURIZING NYLON CONNECTOR PARTS.
- THIS TPA TO BE USED WITH MOLEX FRONT HOUSING SERIES 172708, 172762, 172767.
- DIMENSIONS GIVEN ACROSS CENTERLINES ARE TO BE SYMMETRICAL ABOUT THOSE CENTERLINES WITHIN HALF THE TOTAL TOLERANCE.
- THIS PART CONFORMS TO CLASS 'B' REQUIREMENTS OF COSMETIC SPECIFICATION PS-45499-002.

PRE-RELEASE
REFERENCE
USE ONLY

THIS DRAWING CONTAINS INFORMATION THAT IS PROPRIETARY TO MOLEX ELECTRONIC TECHNOLOGIES, LLC AND SHOULD NOT BE USED WITHOUT WRITTEN PERMISSION									
DIMENSION UNITS	SCALE	CURRENT REV DESC: P/N 2-12 CKT REMOVED							
MM	5:1								
GENERAL TOLERANCES (UNLESS SPECIFIED)		EC NO:			1 CKT TPA MINI-FIT TPA2				
ANGULAR TOL	± 0.5°	DRWN: SGANGADHARDO 2019/01/03							
4 PLACES	±	CHK'D: SGANGADHARDO 2019/01/03			PRODUCT CUSTOMER DRAWING				
3 PLACES	±	APPR:							
2 PLACES	± 0.13	INITIAL REVISION:			SD-172709-0000				
1 PLACE	± 0.2	DRWN: TGREGORI 2014/09/10							
0 PLACES	±	APPR: RHODGE 2014/12/04			PSD 000 E1				
DRAFT WHERE APPLICABLE MUST REMAIN WITHIN DIMENSIONS		THIRD ANGLE PROJECTION	DRAWING	SERIES					
			C-SIZE	172709	SEE TABLE	GENERAL MARKET	1 OF 1		

DOCUMENT STATUS	RV	RELEASE DATE