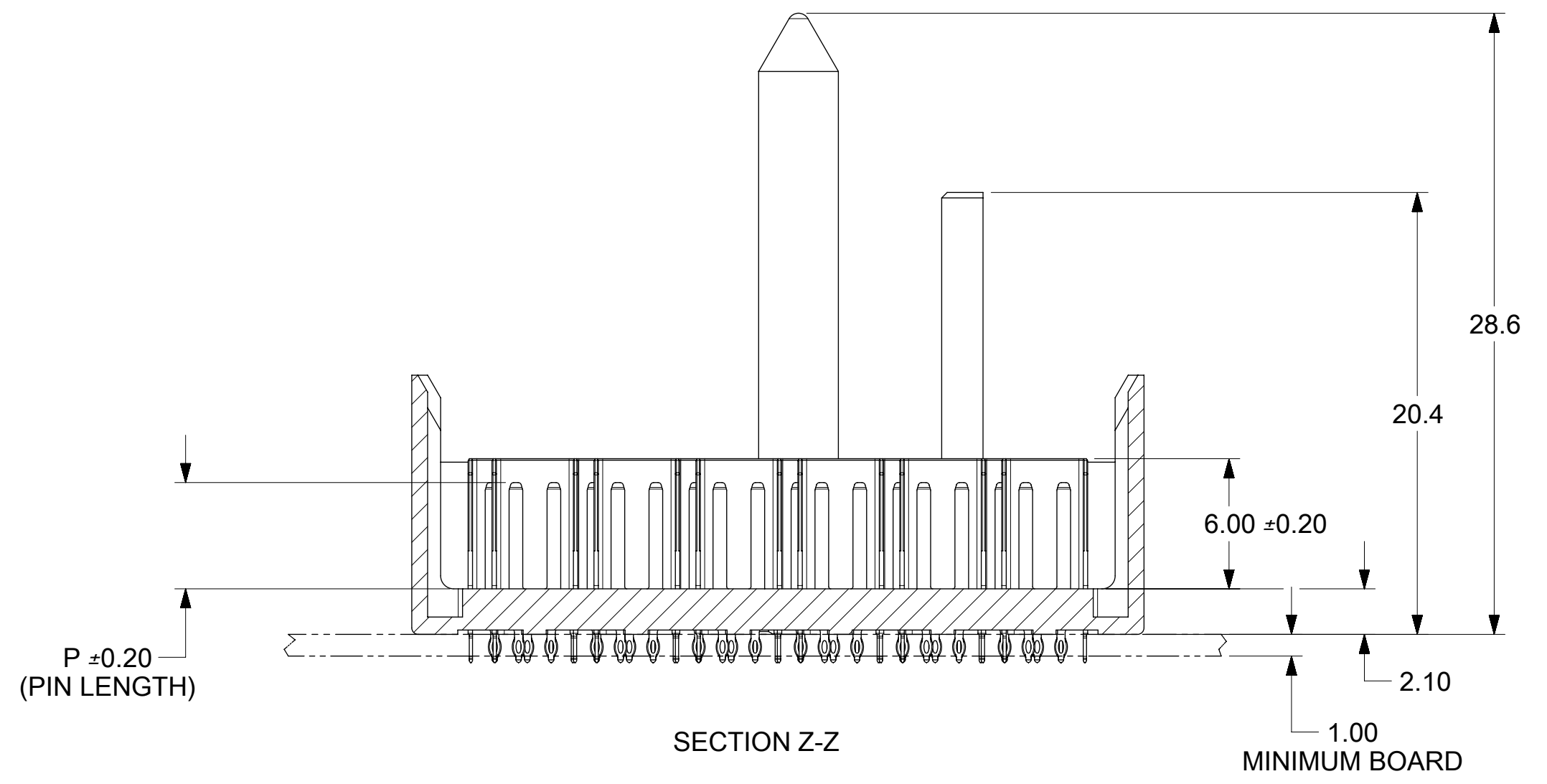


- NOTES:
1. MATERIALS: HOUSING - LIQUID CRYSTAL POLYMER (LCP)
GLASS-FILLED, UL94V-0
TERMINALS - HIGH PERFORMANCE COPPER ALLOY
 2. FINISH: 30uIN GOLD IN CONTACT AREA.
SELECTIVE TIN ON PCB TAILS.
NICKEL OVERALL.
 3. REFER TO MOLEX PRODUCT SPECIFICATION PS-171320-999 FOR PERFORMANCE SPECIFICATIONS.
 4. THIS PART CONFORMS TO CLASS B REQUIREMENTS OF MOLEX COSMETIC SPEC PS-45499-002.
 5. PRODUCT WILL BE PACKAGED PER PK-78888-087.
 6. SEE SHEETS 2, 3, AND 4 FOR HOLE PATTERN AND MATED PART DIMENSIONS.
 7. MATES WITH IMPEL DC SERIES NUMBER 171400.
 8. REFER TO IMPEL PCB ROUTING GUIDE AS-171320-990 FOR ANTIPAD, ROUTING RECOMMENDATIONS, AND ADDITIONAL PCB INFORMATION.
 9. WHEN STACKING MODULES END TO END, THE MINIMUM COLUMN TO COLUMN SPACING IS 2.65mm.
 10. THE KEEP-OUT ZONE FOR THE BP HOUSING LENGTH INCLUDES THE NECESSARY SPACE REQUIRED FOR THE MATING DAUGHTERCARD HOUSING.
 11. PART IS SUPPLIED WITH ONE 2-56 UNC-2A SCREW (MOLEX P/N 73774-1000).



THIS DRAWING CONTAINS INFORMATION THAT IS PROPRIETARY TO MOLEX ELECTRONIC TECHNOLOGIES, LLC AND SHOULD NOT BE USED WITHOUT WRITTEN PERMISSION									
DIMENSION UNITS		SCALE		CURRENT REV DESC: MIGRATED TO NX					
MM		4:1							
GENERAL TOLERANCES (UNLESS SPECIFIED)									
ANGULAR TOL		± 0.5°		EC NO: 601136		2018/02/02		IMPEL 6 PAIR BACKPLANE	
4 PLACES		±		DRWN: TMARRI		2018/07/24		GUIDE LEFT ASSEMBLY SALES DRAWING	
3 PLACES		±		CHK'D: DWLEE01		2018/07/24		PRODUCT CUSTOMER DRAWING	
2 PLACES		± 0.13		APPR: DWLEE01		2018/07/24		DOCUMENT NUMBER	
1 PLACE		± 0.25		INITIAL REVISION:		2012/01/19		DOC TYPE	
0 PLACES		±		DRWN: JLAURX		2012/11/27		DOC PART	
DRAFT WHERE APPLICABLE MUST REMAIN WITHIN DIMENSIONS				THIRD ANGLE PROJECTION		DRAWING		SERIES	
						C-SIZE		171395	
DOCUMENT STATUS				MATERIAL NUMBER		CUSTOMER		SHEET NUMBER	
P1				SEE CHART		GENERAL MARKET		1 OF 5	
RELEASE DATE				2018/07/24		00:11:34		REVISION	
				SD-171395-0002		PSD		001 B6	

MATERIAL NUMBER	NUMBER OF COLUMNS	NUMBER OF DIFF PAIR	DIM "A"	DIM "B"	DIM "C"	DIM "P"	PTH \varnothing
171395-38*4	8	48	21.90	13.30	1.10	4.90	0.46±0.05
171395-38*5	8	48	21.90	13.30	1.10	5.50	0.46±0.05
171395-38*7	8	48	21.90	13.30	1.20	4.90	0.36±0.05
171395-38*8	8	48	21.90	13.30	1.20	5.50	0.36±0.05
171395-31*4	10	60	25.70	17.10	1.10	4.90	0.46±0.05
171395-31*5	10	60	25.70	17.10	1.10	5.50	0.46±0.05
171395-31*7	10	60	25.70	17.10	1.20	4.90	0.36±0.05
171395-31*8	10	60	25.70	17.10	1.20	5.50	0.36±0.05
171395-36*4	16	96	37.10	28.50	1.10	4.90	0.46±0.05
171395-36*5	16	96	37.10	28.50	1.10	5.50	0.46±0.05
171395-36*7	16	96	37.10	28.50	1.20	4.90	0.36±0.05
171395-36*8	16	96	37.10	28.50	1.20	5.50	0.36±0.05

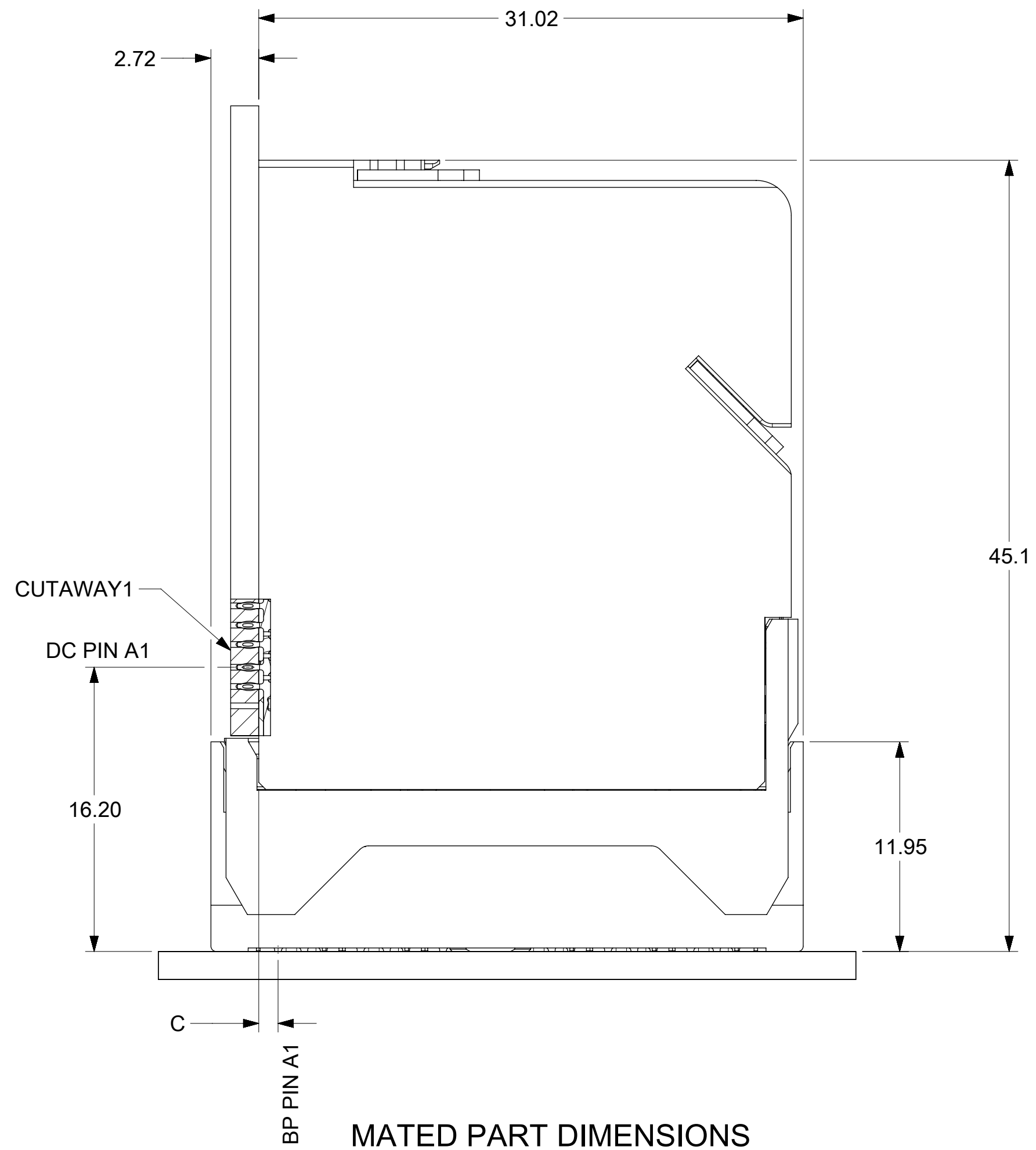
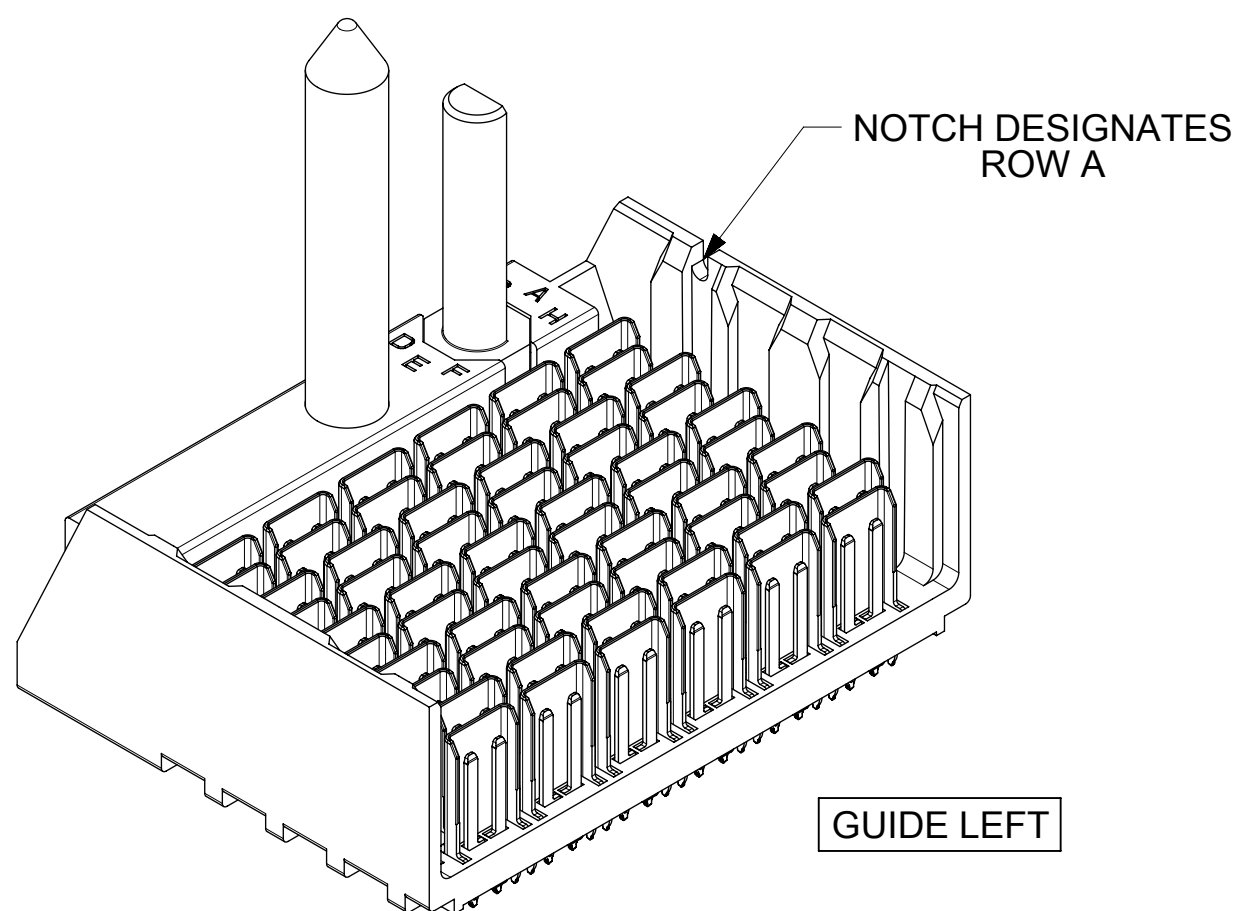
171395-3***

MODULE TYPE
3 = GUIDE LEFT

OF COLUMNS
8 = 8 COL
1 = 10 COL
6 = 16 COL

PIN LENGTH (P)
4 = 4.90 (0.46 PTH)
5 = 5.50 (0.46 PTH)
7 = 4.90 (0.36 PTH)
8 = 5.50 (0.36 PTH)

KEY ORIENTATION
0 = NO KEY
1 = A 5 = E
2 = B 6 = F
3 = C 7 = G
4 = D 8 = H



THIS DRAWING CONTAINS INFORMATION THAT IS PROPRIETARY TO MOLEX ELECTRONIC TECHNOLOGIES, LLC AND SHOULD NOT BE USED WITHOUT WRITTEN PERMISSION											
DIMENSION UNITS		SCALE		CURRENT REV DESC: MIGRATED TO NX						molex	
MM		4:1									
GENERAL TOLERANCES (UNLESS SPECIFIED)				EC NO: 601136		2018/02/02		IMPEL 6 PAIR BACKPLANE GUIDE LEFT ASSEMBLY SALES DRAWING			
ANGULAR TOL		± 0.5°		DRWN: TMARRI		2018/07/24					
4 PLACES		±		CHK'D: DWLEE01		2018/07/24		PRODUCT CUSTOMER DRAWING			
3 PLACES		±		APPR: DWLEE01		2018/07/24					
2 PLACES		± 0.13		INITIAL REVISION:				DOCUMENT NUMBER			
1 PLACE		± 0.25		DRWN: JLAURX		2012/01/19					
0 PLACES		±		APPR: JLAURX		2012/11/27		PSD		001	
DRAFT WHERE APPLICABLE MUST REMAIN WITHIN DIMENSIONS				THIRD ANGLE PROJECTION		DRAWING					
				C-SIZE		171395		SEE CHART		GENERAL MARKET	
										2 OF 5	

MATERIAL NUMBER	NUMBER OF COLUMNS	NUMBER OF DIFF PAIR	DIM "A"	DIM "B"	DIM "C"	DIM "P"	PTH ϕ
171395-71*4	10	60	27.10	17.10	1.10	4.90	0.46 \pm 0.05
171395-71*5	10	60	27.10	17.10	1.10	5.50	0.46 \pm 0.05
171395-71*7	10	60	27.10	17.10	1.20	4.90	0.36 \pm 0.05
171395-71*8	10	60	27.10	17.10	1.20	5.50	0.36 \pm 0.05

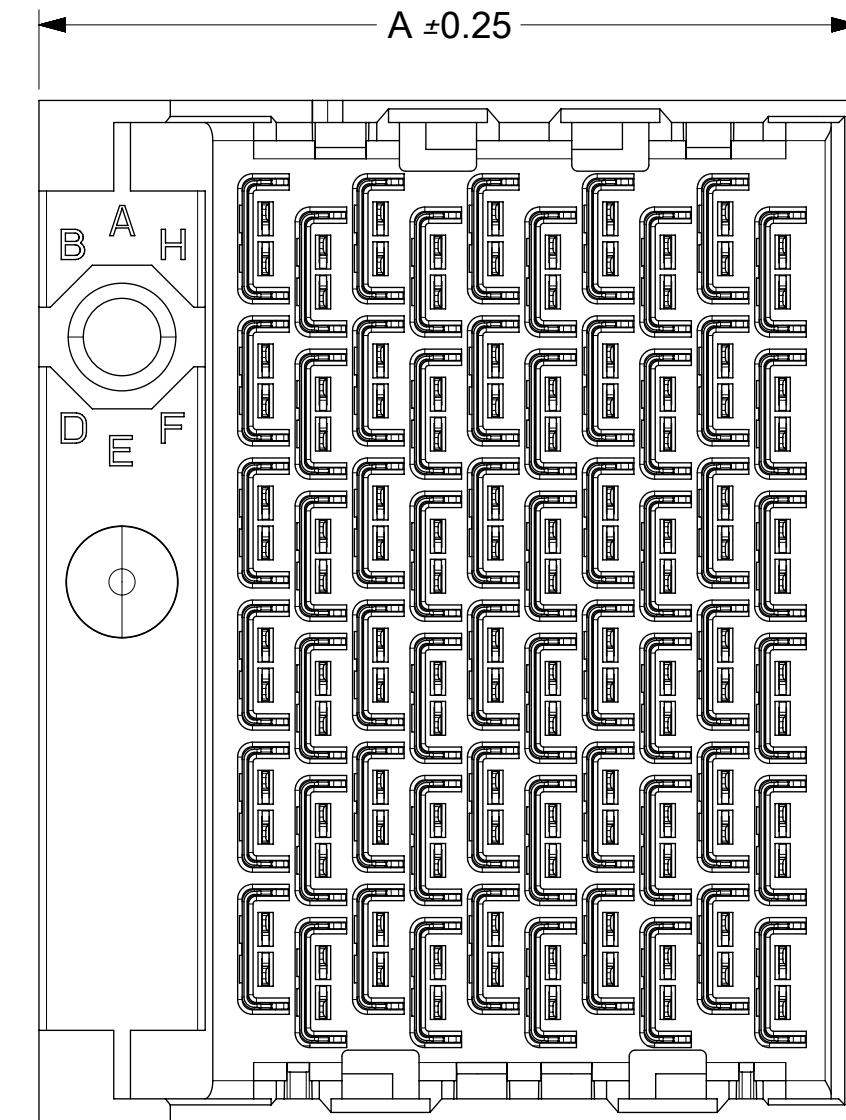
171395-7***

MODULE TYPE
7 = GUIDE LEFT WITH END WALL

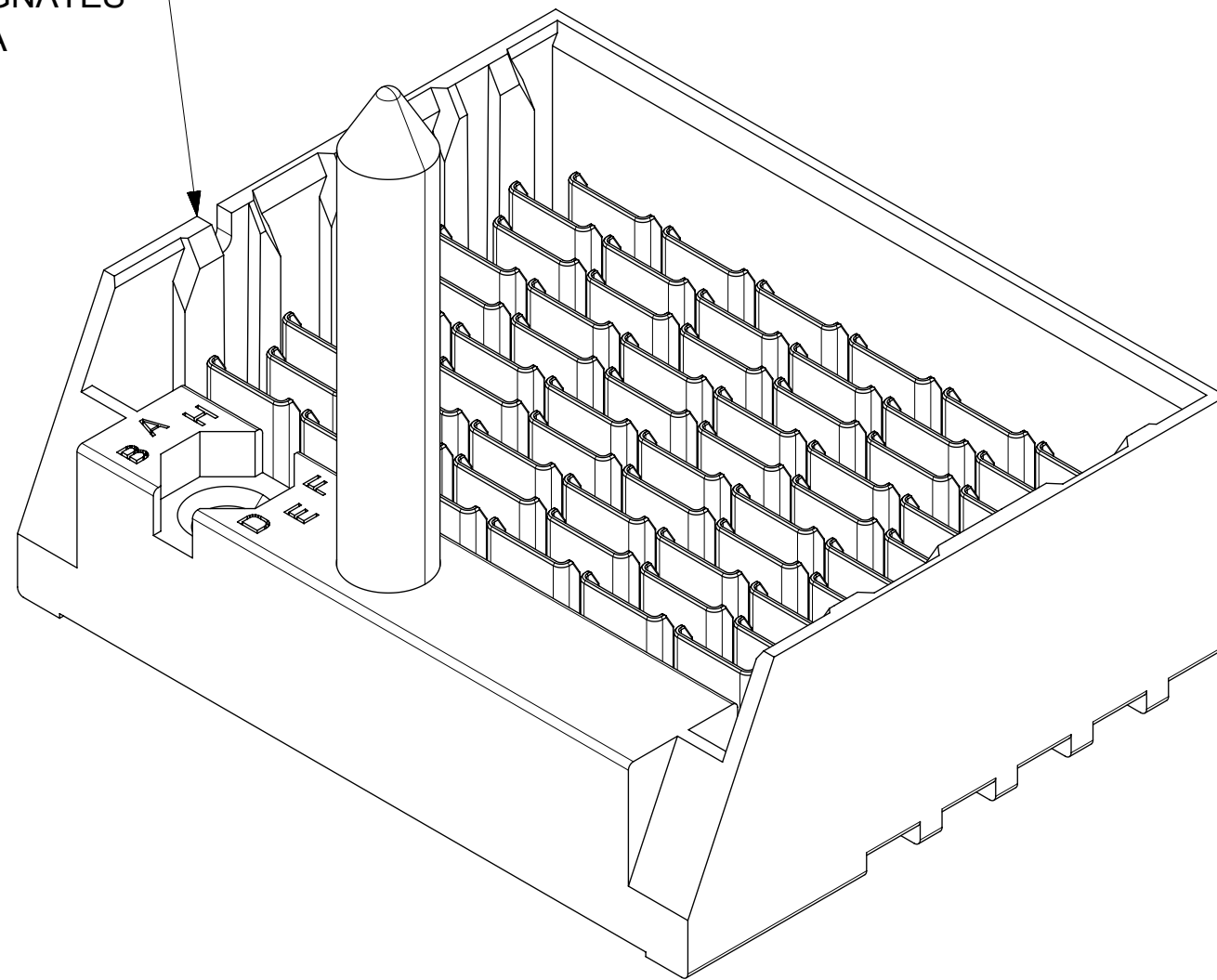
OF COLUMNS
8 = 8 COL
1 = 10 COL
6 = 16 COL

KEY ORIENTATION
0 = NO KEY
1 = A 5 = E
2 = B 6 = F
3 = C 7 = G
4 = D 8 = H

PIN LENGTH (P)
4 = 4.90 (0.46 PTH)
5 = 5.50 (0.46 PTH)
7 = 4.90 (0.36 PTH)
8 = 5.50 (0.36 PTH)

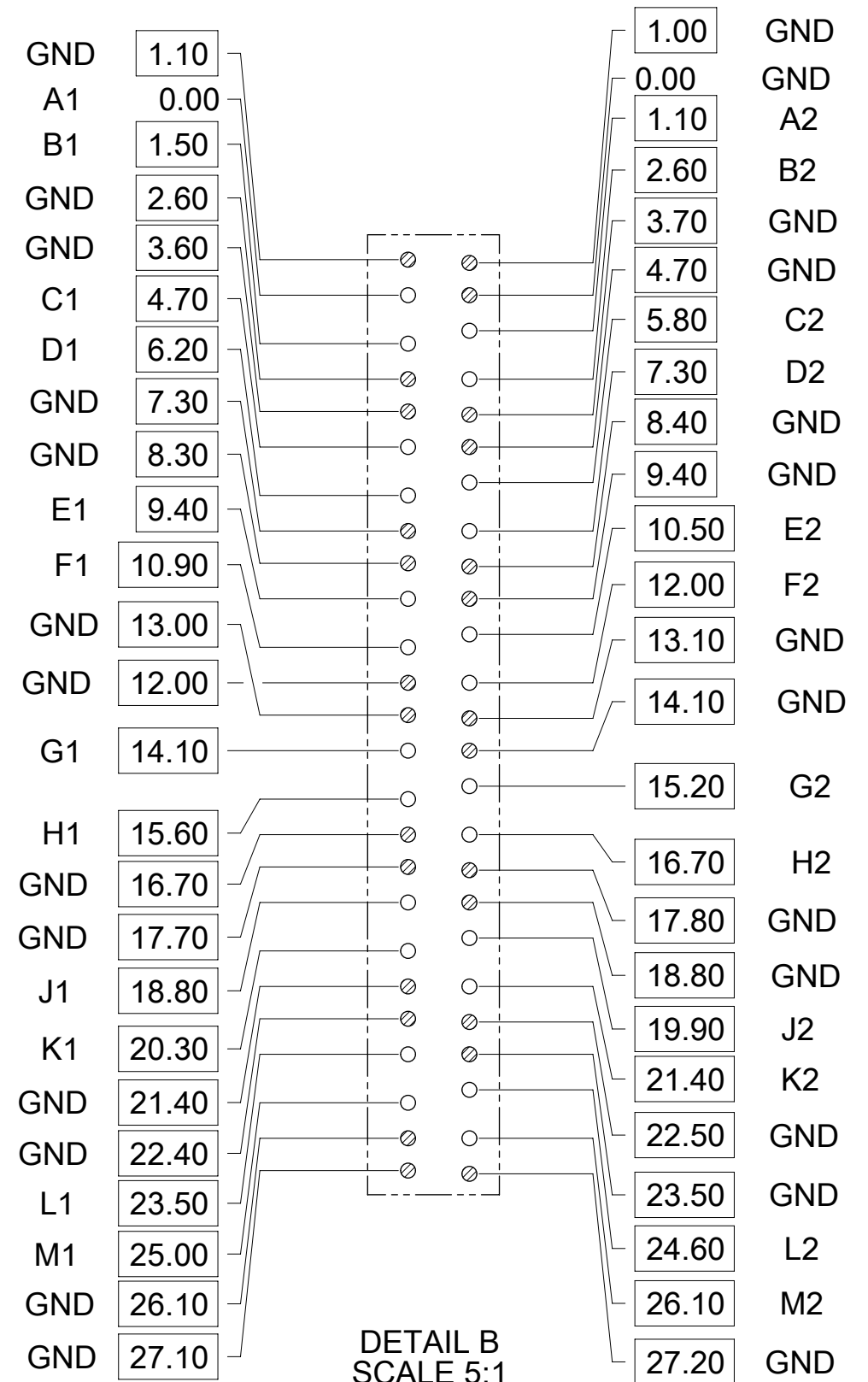
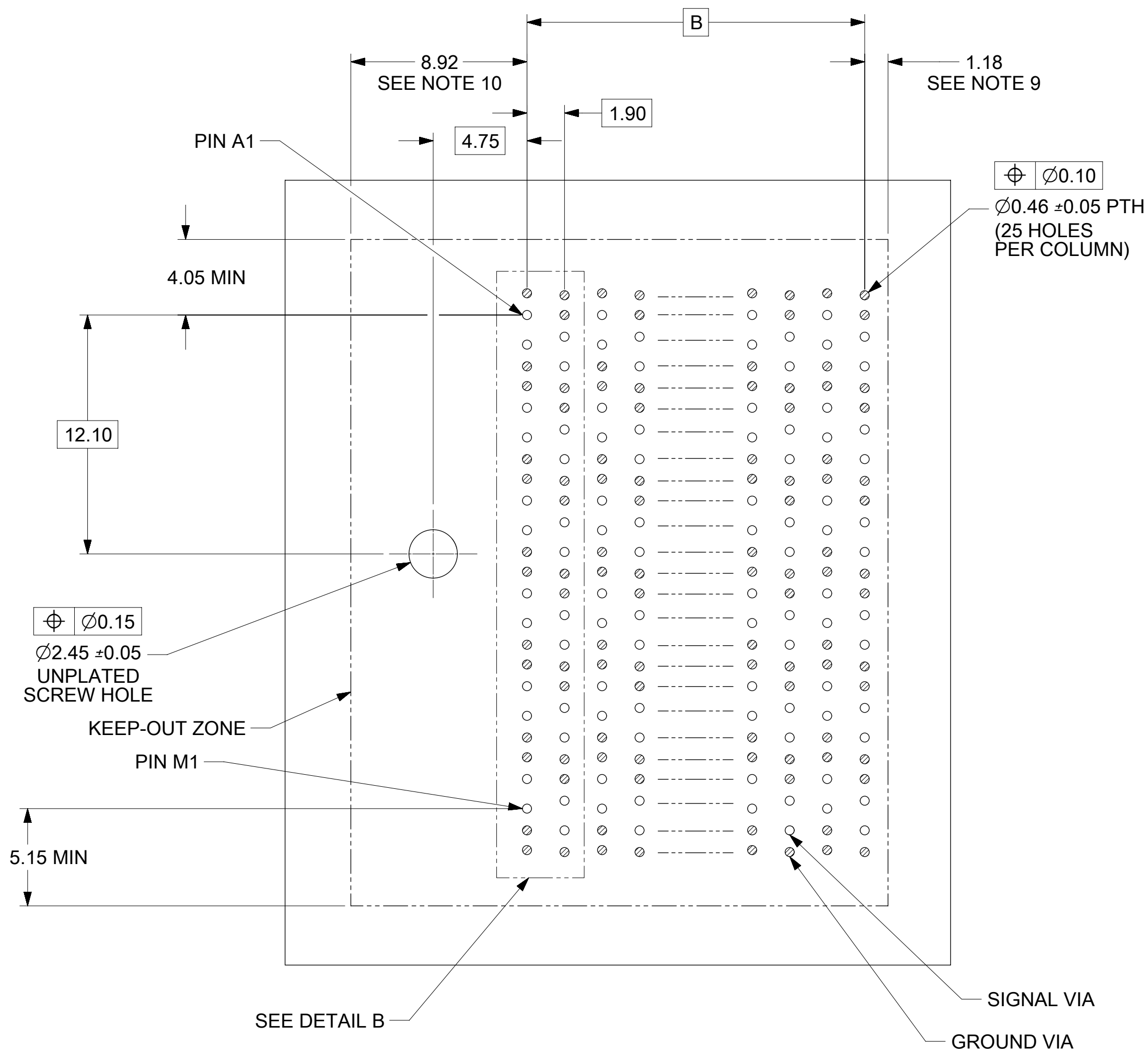


NOTCH DESIGNATES ROW A



GUIDE LEFT WITH END WALL

THIS DRAWING CONTAINS INFORMATION THAT IS PROPRIETARY TO MOLEX ELECTRONIC TECHNOLOGIES, LLC AND SHOULD NOT BE USED WITHOUT WRITTEN PERMISSION									
DIMENSION UNITS		SCALE		CURRENT REV DESC: MIGRATED TO NX					
MM		4:1		<p>molex</p> <p>IMPEL 6 PAIR BACKPLANE GUIDE LEFT ASSEMBLY SALES DRAWING</p> <p>PRODUCT CUSTOMER DRAWING</p> <p>DOCUMENT NUMBER: SD-171395-0002 DOC TYPE: PSD DOC PART: 001 REVISION: B6</p> <p>MATERIAL NUMBER: SEE CHART CUSTOMER: GENERAL MARKET SHEET NUMBER: 3 OF 5</p>					
GENERAL TOLERANCES (UNLESS SPECIFIED)									
ANGULAR TOL \pm 0.5°									
4 PLACES \pm		EC NO: 601136							
3 PLACES \pm		DRWN: TMARRI 2018/02/02							
2 PLACES \pm 0.13		CHK'D: DWLEE01 2018/07/24							
1 PLACE \pm 0.25		APPR: DWLEE01 2018/07/24							
0 PLACES \pm		INITIAL REVISION:							
DRAFT WHERE APPLICABLE MUST REMAIN WITHIN DIMENSIONS		THIRD ANGLE PROJECTION		DRAWING		SERIES		MATERIAL NUMBER	
		C-SIZE		171395		SEE CHART		GENERAL MARKET	



**BACKPLANE HOLE PATTERN
FOR Ø0.46 PTH
(CONNECTOR SIDE)**

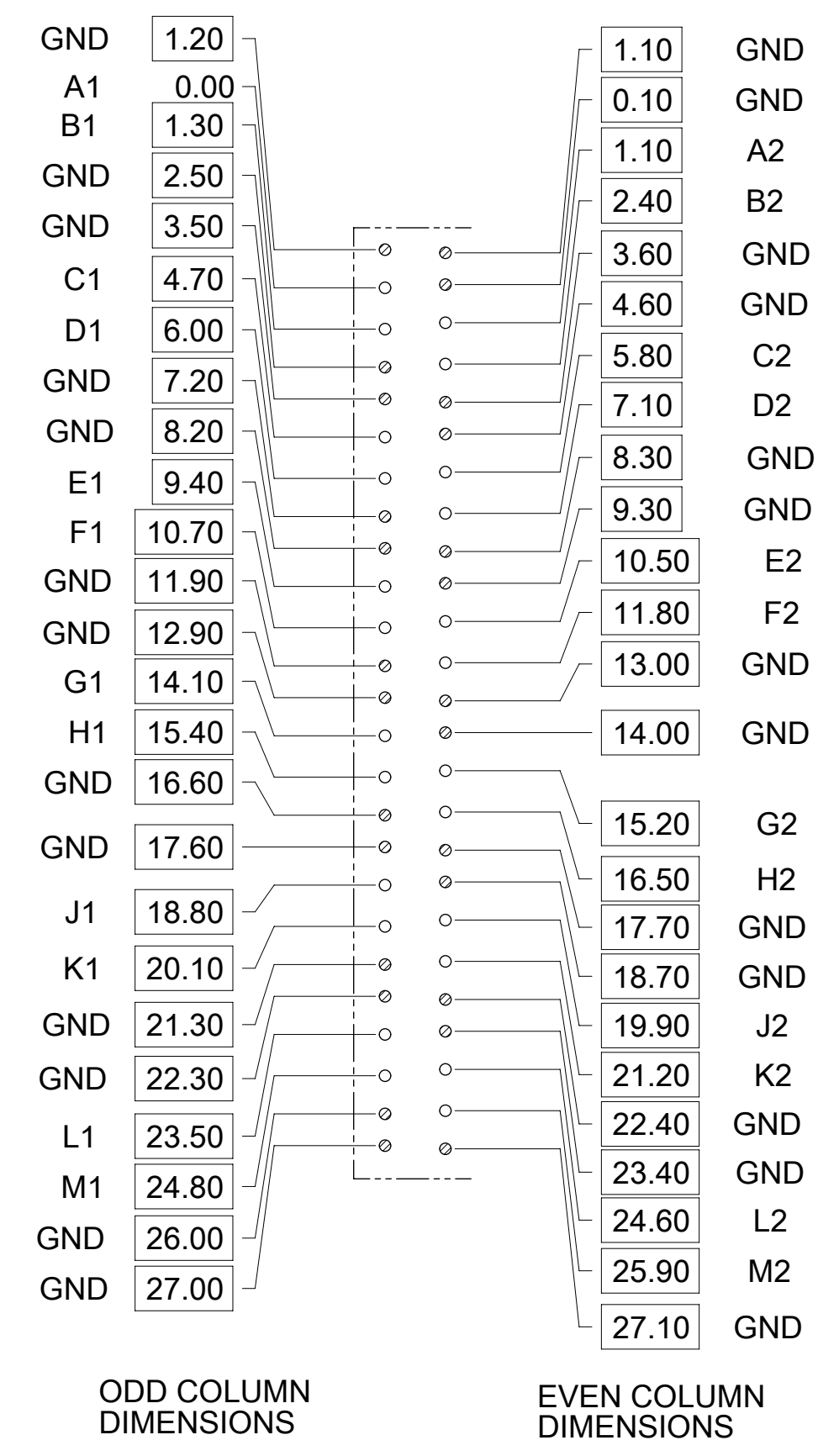
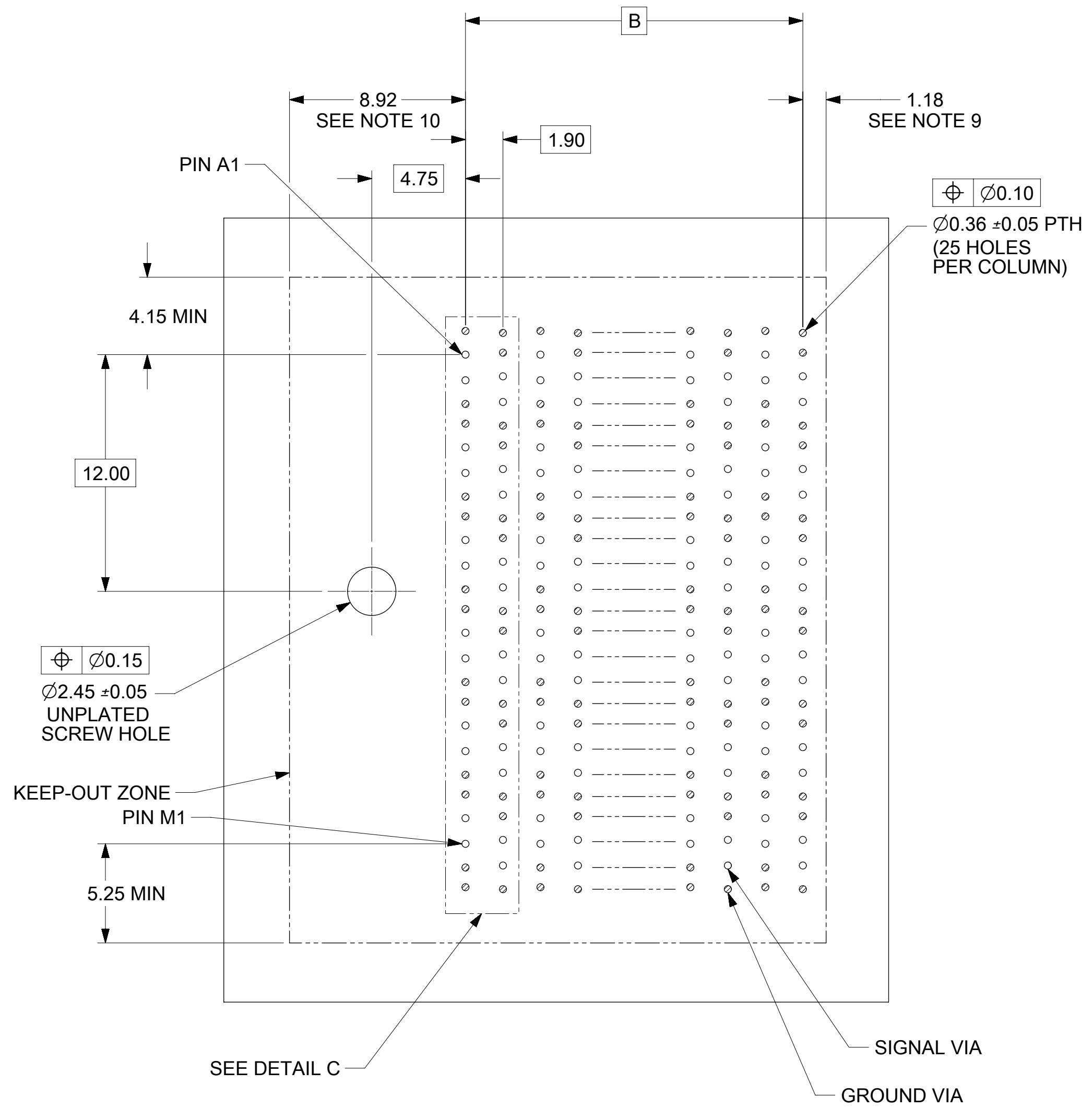
ODD COLUMN DIMENSIONS

EVEN COLUMN DIMENSIONS

DETAIL B
SCALE 5:1

THIS DRAWING CONTAINS INFORMATION THAT IS PROPRIETARY TO MOLEX ELECTRONIC TECHNOLOGIES, LLC AND SHOULD NOT BE USED WITHOUT WRITTEN PERMISSION									
DIMENSION UNITS		SCALE		CURRENT REV DESC: MIGRATED TO NX					
MM		5:1							
GENERAL TOLERANCES (UNLESS SPECIFIED)				EC NO: 601136				IMPEL 6 PAIR BACKPLANE GUIDE LEFT ASSEMBLY SALES DRAWING PRODUCT CUSTOMER DRAWING	
ANGULAR TOL		± 0.5°		DRWN: TMARRI		2018/02/02			
4 PLACES		±		CHK'D: DWLEE01		2018/07/24			
3 PLACES		±		APPR: DWLEE01		2018/07/24		DOCUMENT NUMBER SD-171395-0002 DOC TYPE PSD DOC PART 001 REVISION B6	
2 PLACES		± 0.13		INITIAL REVISION:					
1 PLACE		± 0.25		DRWN: JLAURX		2012/01/19		MATERIAL NUMBER SEE CHART CUSTOMER GENERAL MARKET SHEET NUMBER 4 OF 5	
0 PLACES		±		APPR: JLAURX		2012/11/27			
DRAFT WHERE APPLICABLE MUST REMAIN WITHIN DIMENSIONS				THIRD ANGLE PROJECTION		DRAWING		SERIES	
						C-SIZE		171395	

DOCUMENT STATUS	P1	RELEASE DATE	2018/07/24	00:11:34
-----------------	----	--------------	------------	----------



**BACKPLANE HOLE PATTERN
FOR Ø0.36 PTH
(CONNECTOR SIDE)**

DETAIL C
SCALE 5:1

THIS DRAWING CONTAINS INFORMATION THAT IS PROPRIETARY TO MOLEX ELECTRONIC TECHNOLOGIES, LLC AND SHOULD NOT BE USED WITHOUT WRITTEN PERMISSION

DIMENSION UNITS MM	SCALE 5:1	CURRENT REV DESC: MIGRATED TO NX				
GENERAL TOLERANCES (UNLESS SPECIFIED)		EC NO: 601136				
ANGULAR TOL ± 0.5°		DRWN: TMARRI	2018/02/02	GUIDE LEFT ASSEMBLY SALES DRAWING		
4 PLACES ±		CHK'D: DWLEE01	2018/07/24	PRODUCT CUSTOMER DRAWING		
3 PLACES ±		APPR: DWLEE01	2018/07/24	DOCUMENT NUMBER		
2 PLACES ± 0.13		INITIAL REVISION:		SD-171395-0002		
1 PLACE ± 0.25		DRWN: JLAURX	2012/01/19	DOC TYPE	DOC PART	REVISION
0 PLACES ±		APPR: JLAURX	2012/11/27	PSD	001	B6
DRAFT WHERE APPLICABLE MUST REMAIN WITHIN DIMENSIONS	THIRD ANGLE PROJECTION	DRAWING	SERIES	MATERIAL NUMBER	CUSTOMER	SHEET NUMBER
		C-SIZE	171395	SEE CHART	GENERAL MARKET	5 OF 5