

PLEASE CHECK WWW.MOLEX.COM FOR LATEST PART INFORMATION

Part Number: **5023810000**
Status: **Active**
Overview: IllumiMate™ Connector System
Description: CLIK-Mate™ and IllumiMate™ 1.25mm Pitch Wire-to-Board Crimp Terminal, Tin Plating, Reel

Documents:

3D Model	Product Specification PS-502382-001-001 (PDF)
Drawing (PDF)	Packaging Specification SPK-502381-001-001 (PDF)
Product Specification 2028120000-000 (PDF)	RoHS Certificate of Compliance (PDF)

General

Product Family	Crimp Terminals
Series	<u>502381</u>
Application	Signal
Crimp Quality Equipment	Yes
MolexKits	Yes
Overview	<u>IllumiMate™ Connector System</u>
Product Name	<u>CLIK-Mate™, IllumiMate™</u>
UPC	822350895187

Physical

Durability (mating cycles max)	30
Gender	Male
Material - Metal	Copper Alloy
Material - Plating Mating	Tin over Nickel
Material - Plating Termination	Tin over Nickel
Net Weight	14.300/mg
Packaging Type	Reel
Plating min - Mating	0.406µm
Termination Interface: Style	Crimp or Compression
Wire Insulation Diameter	0.80-1.0mm
Wire Size AWG	26, 28
Wire Size mm²	0.08-0.13

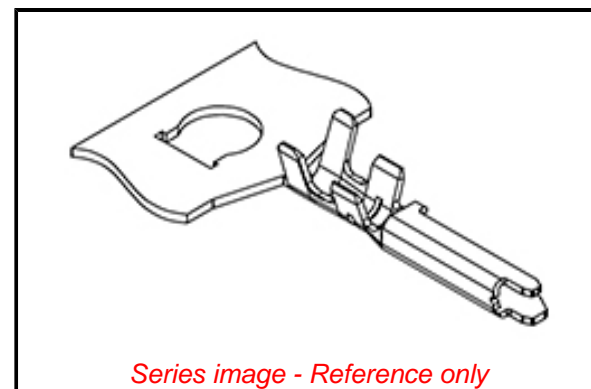
Electrical

Current - Maximum per Contact	1.0A
Voltage - Maximum	50V AC (RMS)/DC

Material Info

Reference - Drawing Numbers

Crimp Specification	CS-502381-001-001
Packaging Specification	SPK-502381-001-001
Product Specification	2028120000-000, PS-502382-001-001
Sales Drawing	2028100000-000, 2028100001-000, 2028120000-000, SD-502381-001



EU ELV

Not Relevant

EU RoHS

Compliant

REACH SVHC

Not Contained Per - ED/30/2017 (7 July 2017)

Halogen-Free

Status

Low-Halogen

Need more information on product environmental compliance?

Email productcompliance@molex.com
Please visit the [Contact Us](#) section for any non-product compliance questions.

China ROHS

ELV

RoHS Phthalates

Green Image

Not Relevant

Not Contained

Search Parts in this Series

[502381](#) Series

Use With

[502380](#) CLIK-Mate™ Housing, [104105](#) Illuminate Housing, [104099](#) HDR Housing