

PLEASE CHECK WWW.MOLEX.COM FOR LATEST PART INFORMATION

Part Number: [0855035001](#)
Status: **Active**
Overview: Magnetic and Modular Jacks and Plugs
Description: Modular Jack, Cat5e, Right Angle, Through Hole, 8/8, Tray

Documents:

3D Model	Test Summary STR-1427-001 (PDF)
Drawing (PDF)	RoHS Certificate of Compliance (PDF)
Application Specification AS-85513-001-001 (PDF)	Product Literature (PDF)
Test Summary STR-1181-001 (PDF)	

Agency Certification

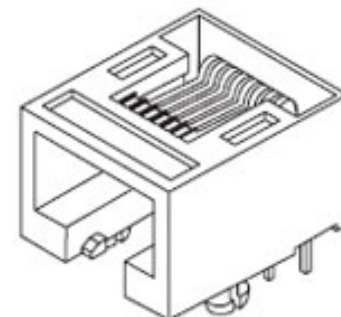
UL E107635

General

Product Family	Modular Jacks/Plugs
Series	85503
Comments	Reflow Capable
Component Type	PCB Jack
Magnetic	No
Overview	<u>Magnetic and Modular Jacks and Plugs</u>
Performance Category	5e
Power over Ethernet (PoE)	N/A
Product Literature Order No	987650-8441
Product Name	Modular Jack 8/8
UPC	822350976619

Physical

Boot Color	N/A
Color - Resin	Black
Durability (mating cycles max)	2500
Flammability	94V-0
Inverted / Top Latch	No
Jack Height	11.50mm
Lightpipes/LEDs	None
Material - Metal	Phosphor Bronze
Material - Plating Mating	Gold over Palladium Nickel
Material - Plating Termination	Tin
Material - Resin	High Temperature Thermoplastic
Net Weight	2.460/g
Orientation	Right Angle (Side Entry)
PCB Locator	Yes
PCB Retention	Yes
PCB Thickness - Recommended	1.57mm
Packaging Type	Tray
Pitch - Mating Interface	1.02mm
Pitch - Termination Interface	1.27mm
Plating min - Mating	0.051µm, 0.600µm
Plating min - Termination	1.905µm
Ports	1
Positions / Loaded Contacts	8/8
Surface Mount Compatible (SMC)	No
Temperature Range - Operating	-40°C to +85°C
Termination Interface: Style	Through Hole
Waterproof / Dustproof	No
Wire/Cable Type	N/A



Series image - Reference only

EU ELV

Not Relevant

EU RoHS

Compliant

REACH SVHC

Not Contained Per -
ED/30/2017 (7 July
2017)

Halogen-Free

Status

Low-Halogen

Need more information on product environmental compliance?

Email productcompliance@molex.com
Please visit the [Contact Us](#) section for any non-product compliance questions.

China ROHS

ELV

RoHS Phthalates

Green Image

Not Relevant

Not Contained

Search Parts in this Series

[85503](#) Series

Mates With

[95043](#) Modular Plug, Short Body

Electrical

Current - Maximum per Contact	1.5A
Shielded	No
Voltage - Maximum	125V DC

Solder Process Data

Duration at Max. Process Temperature (seconds)	005
Lead-free Process Capability	WAVE
Max. Cycles at Max. Process Temperature	001
Process Temperature max. C	260

Material Info**Reference - Drawing Numbers**

Application Specification	AS-85513-001-001
Sales Drawing	SD-85503-101
Test Summary	STR-1181-001, STR-1427-001

This document was generated on 08/03/2017

PLEASE CHECK WWW.MOLEX.COM FOR LATEST PART INFORMATION