

**PLEASE CHECK WWW.MOLEX.COM FOR LATEST PART INFORMATION**

**Part Number:** [0530480410](#)  
**Status:** **Active**  
**Overview:** [PicoBlade™ Connector System](#)  
**Description:** 1.25mm Pitch PicoBlade™ Header, Right Angle, 4 Circuits

**Documents:**

[3D Model](#) [Packaging Specification SPK-53048-001 \(PDF\)](#)  
[Drawing \(PDF\)](#) [RoHS Certificate of Compliance \(PDF\)](#)  
[Product Specification PS-51021-010 \(PDF\)](#)

**Agency Certification**

UL E29179

**General**

Product Family PCB Headers  
 Series 53048  
 Application Signal, Wire-to-Board  
 Current Derating Order No 987651-3691  
 Overview [PicoBlade™ Connector System](#)  
 Product Name PicoBlade™  
 UPC 800753565913

**Physical**

Breakaway No  
 Circuits (Loaded) 4  
 Circuits (maximum) 4  
 Color - Resin Natural  
 First Mate / Last Break No  
 Glow-Wire Compliant No  
 Guide to Mating Part No  
 Keying to Mating Part None  
 Lock to Mating Part Yes  
 Mated Height 3.50mm  
 Material - Plating Mating Tin  
 Material - Resin Nylon  
 Net Weight 112.900/mg  
 Number of Rows 1  
 Orientation Right Angle  
 PC Tail Length 2.30mm  
 PCB Locator No  
 PCB Retention None  
 PCB Thickness - Recommended 0.80mm  
 Packaging Type Tray  
 Pitch - Mating Interface 1.25mm  
 Polarized to PCB No  
 Shrouded Fully  
 Stackable No  
 Temperature Range - Operating -40°C to +85°C  
 Termination Interface: Style Through Hole

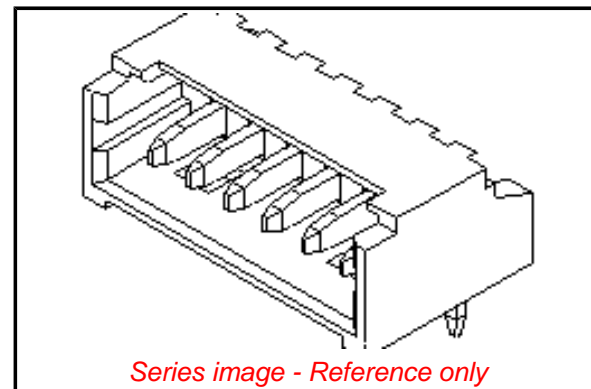
**Electrical**

Current - Maximum per Contact 1.0A  
 Voltage - Maximum 125V

**Material Info**

**Reference - Drawing Numbers**

Packaging Specification SPK-53048-001



**EU ELV**

**Not Relevant**

**EU RoHS**

**Compliant**

**REACH SVHC**

Not Contained Per  
 -ED/79/2015 (17  
 December 2015)

**Halogen-Free**

**Status**

**Not Low-Halogen**

**Need more information on product  
 environmental compliance?**

Email [productcompliance@molex.com](mailto:productcompliance@molex.com)  
 Please visit the [Contact Us](#) section for any  
 non-product compliance questions.

China ROHS

ELV

Green Image

Not Relevant

**Search Parts in this Series**

[53048 Series](#)

**Mates With**

[51021 PicoBlade™ Wire-to-Wire](#)

Product Specification

Sales Drawing

PS-51021-010, RPS-51021-007, RPS-51021-011,  
RPS-51021-048, RPS-51021-059, RPS-51021-060,  
RPS-51021-071, RPS-51021-089, RPS-51021-104  
SD-53048-\*\*10, SD-53048-001

This document was generated on 03/30/2016

**PLEASE CHECK [WWW.MOLEX.COM](http://WWW.MOLEX.COM) FOR LATEST PART INFORMATION**