

PLEASE CHECK WWW.MOLEX.COM FOR LATEST PART INFORMATION

Part Number: [0732161501](#)
Status: **Active**
Overview: [TNC RF Connectors](#)
Description: 50 Ohms, TNC Jack, Bulkhead Right-Angle Reverse Polarity No Hardware Included, One Piece Per Bag

Documents:

[Drawing \(PDF\)](#) [RoHS Certificate of Compliance \(PDF\)](#)

General

Product Family	RF/Coax Connectors
Series	73216
Overview	TNC RF Connectors
Product Name	TNC
Style	PCB
UPC	800756689449
Wire/Cable Type	N/A

Physical

Gender	Jack
Keying to Mating Part	None
Net Weight	46.660/g
Orientation	Right Angle
PCB Mounting	Through Hole
PCB Thickness - Recommended	3.18mm
Packaging Type	Bag
Panel Mount	Yes
Panel Mount Method	Bulkhead
Reverse Polar	Yes

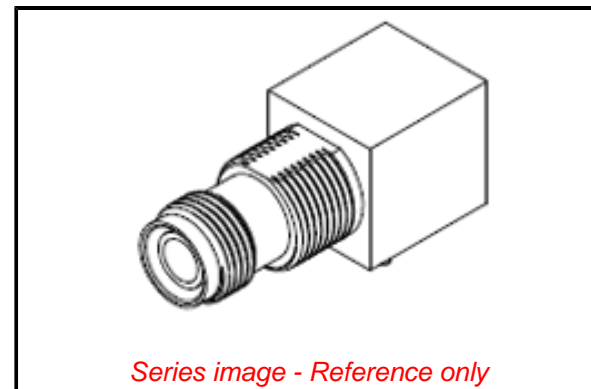
Electrical

Impedance	50Ω
-----------	-----

Material Info

Reference - Drawing Numbers

Sales Drawing	SD-73216-150
---------------	--------------



Series image - Reference only

EU ELV

Not Reviewed

EU RoHS

Not Reviewed

REACH SVHC

Not Reviewed

Halogen-Free

Status

Not Reviewed

Need more information on product environmental compliance?

Email productcompliance@molex.com
Please visit the [Contact Us](#) section for any non-product compliance questions.

China ROHS	Not Reviewed
ELV	Not Reviewed
RoHS Phthalates	Not Reviewed

Search Parts in this Series

[73216 Series](#)

PLEASE CHECK WWW.MOLEX.COM FOR LATEST PART INFORMATION